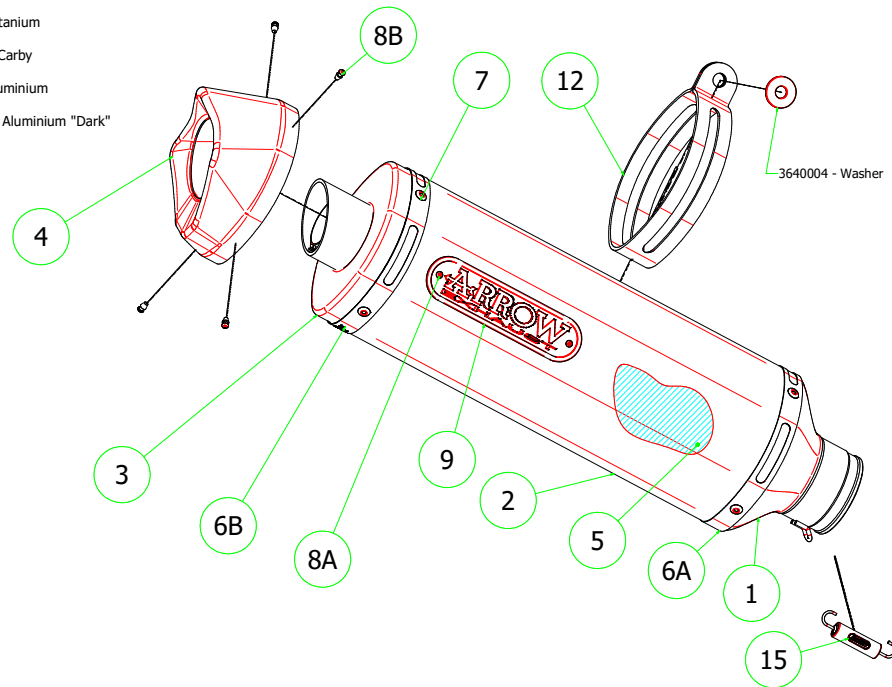


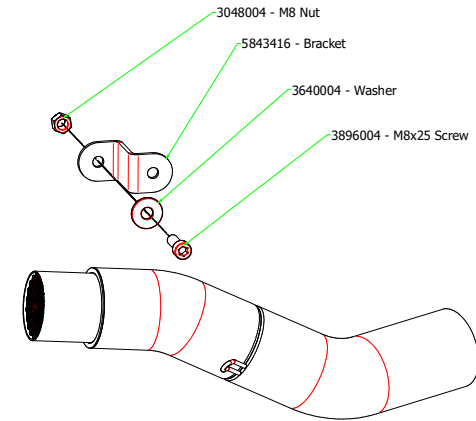
# Ducati Monster 821 2018



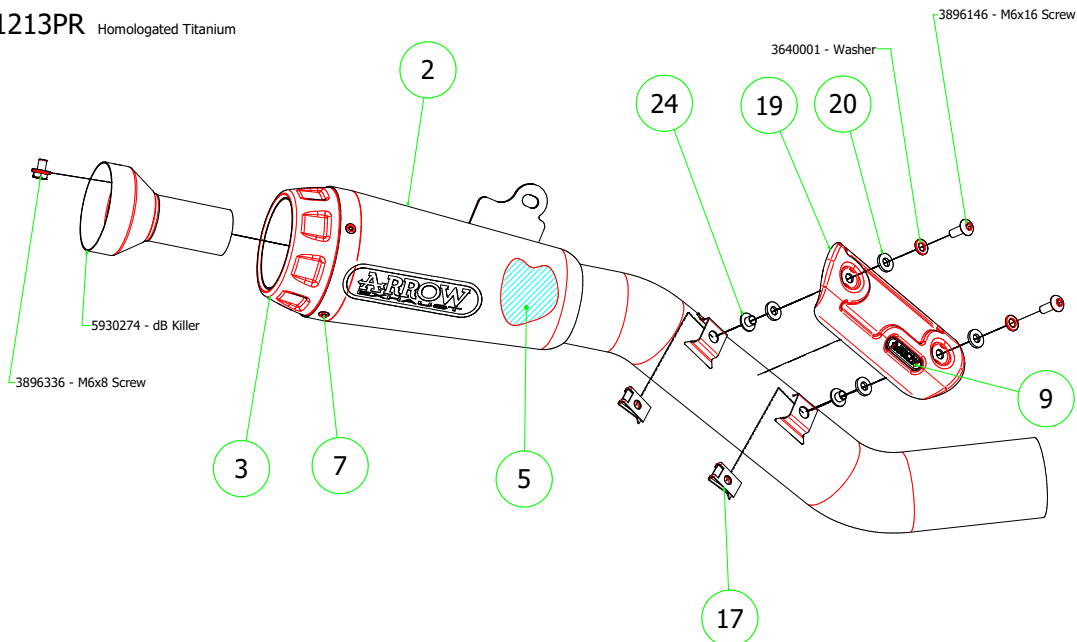
- 71877PK Homologated Titanium
- 71877MK Homologated Carby
- 71877AK Homologated Aluminium
- 71877AKN Homologated Aluminium "Dark"



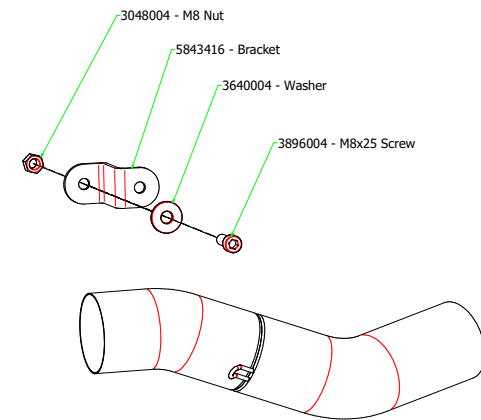
71687KZ Homologated Link Pipe



71213PR Homologated Titanium



71687MI Racing Link Pipe



## PARTI DI RICAMBIO / SPARE PARTS

| ID | DESCRIZIONE / DESCRIPTION                                       | 71877PK<br>cod | 71877MK<br>cod | 71877AK<br>cod | 71877AKN<br>cod | 71213PR<br>cod |
|----|---|----------------|----------------|----------------|-----------------|----------------|
| 1  | Assieme anteriore / <i>Front assembly</i>                       | 5008703        | 5008703        | 5008703        | 5008703         |                |
| 2  | Corpo Marmitta / <i>Silencer Sleeve</i>                         | 5260130        | 5270109        | 5257088        | 5257160         | 5261147        |
| 3  | Assieme Posteriore / <i>Rear assembly</i>                       | 5009603        | 5009603        | 5009603        | 5009603         | 5010064        |
| 4  | Fondello in carbonio / <i>Carbon fibre end cap</i>              | 5704052        | 5704052        | 5704054        | 5704054         |                |
| 5  | Materiale fonoassorbente / <i>Sound-absorbant material</i>      | 5690197        | 5690197        | 5690197        | 5690197         | 19007UN        |
| 6A | Fascetta di Serraggio anteriore / <i>Front Strap For Rivets</i> | 5495055        | 5495067        | 5495058        | 5495058         |                |
| 6B | Fascetta di Serraggio posteriore / <i>Rear Strap For Rivets</i> | 5495431        | 5495432        | 5495433        | 5495433         |                |
| 7  | Rivetto inox mm 4.8 / <i>Stainless Steel 4.8 mm Rivet</i>       | 3608011        | 3608011        | 3608011        | 3608011         | 3608024        |
| 8A | Rivetto Inox mm 3.0 / <i>Stainless Steel 3.0 mm Rivet</i>       | 3608010        | 3608021        | 3608021        | 3608021         |                |
| 8B | Rivetto Inox mm 3.0 / <i>Stainless Steel 3.0 mm Rivet</i>       | 3608021        | 3608021        | 3608021        | 3608021         |                |
| 9  | Targhetta Arrow / <i>Arrow Plate</i>                            | 5855031        | 5855109        | 5855109        | 5855109         | 3883668        |
| 12 | Fascetta di Sostegno / <i>Silencer Clamp</i>                    | 5490007        | 5480047        | 5480067        | 5480067         |                |
| 13 | Guarnizione x Fascetta / <i>Clamp Gasket</i>                    |                | 5630003        | 5630003        | 5630003         |                |
| 14 | Copri Fascetta / <i>Stainless Steel Clamp Protection</i>        |                | 5480004        | 5480004        | 5480004         |                |
| 15 | Molla / <i>Spring</i>   | 5281003        | 5281003        | 5281003        | 5281003         |                |
| 17 | Inserto Rapid Nut / <i>Caged nut insert</i>                     |                |                |                |                 | 3245005        |
| 19 | Protezione / <i>Heat Shield</i>                                 |                |                |                |                 | 5704172        |
| 20 | Gommino / <i>Rubber</i>   |                |                |                |                 | 3240015        |
| 24 | Spessore / <i>Spacer</i>  |                |                |                |                 | 5165705        |