



EVOTECH®
P E R F O R M A N C E

www.evotech-performance.com

Suzuki GSX-S1000 GT
TomTom Sat Nav Mount



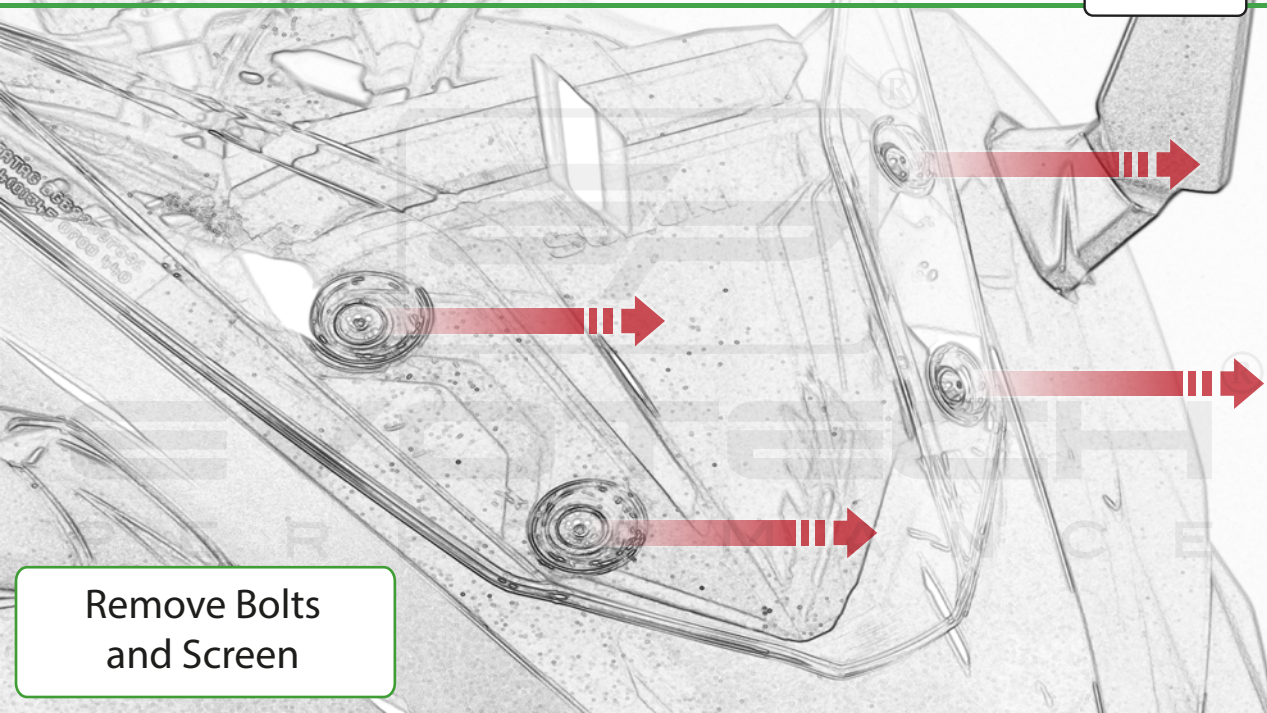
Kit Contents

- Ⓐ 1 x Main Plate
- Ⓑ 1 x Pivot Plate
- Ⓒ 1 x Sub Mounting Bracket
- Ⓓ 2 x M5 x 8mm Black Button Head Bolts
- Ⓔ 2 x Lobe Screw
- Ⓕ 2 x Locking Washer
- Ⓖ 2 x P-clips (No.1)
- Ⓗ 2 x P-clips (No.2)
- Ⓘ 2 x P-clips (No.3)
- Ⓙ 2 x P-clips (No.4)
- Ⓚ 2 x M5 Black Washer
- Ⓛ 2 x M4 x 5mm Black Button Head Bolts
- Ⓜ 4 x M5 x 12mm Black Button Head Bolts

Sub Kit

- ⒶⒶ 4 x M5 x 25 Silver Button Head Bolt
- ⒶⒷ 4 x Top Hat Spacer

EP PERFORMANCE



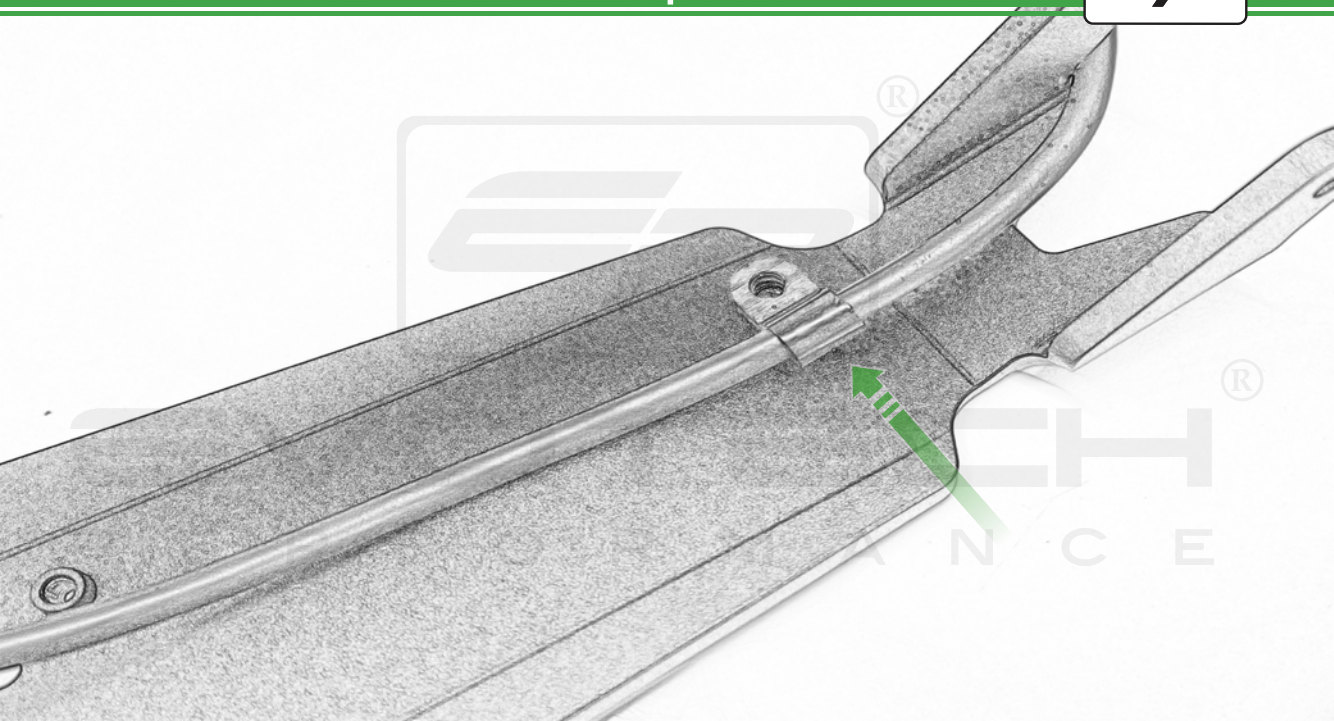
Remove Bolts
and Screen

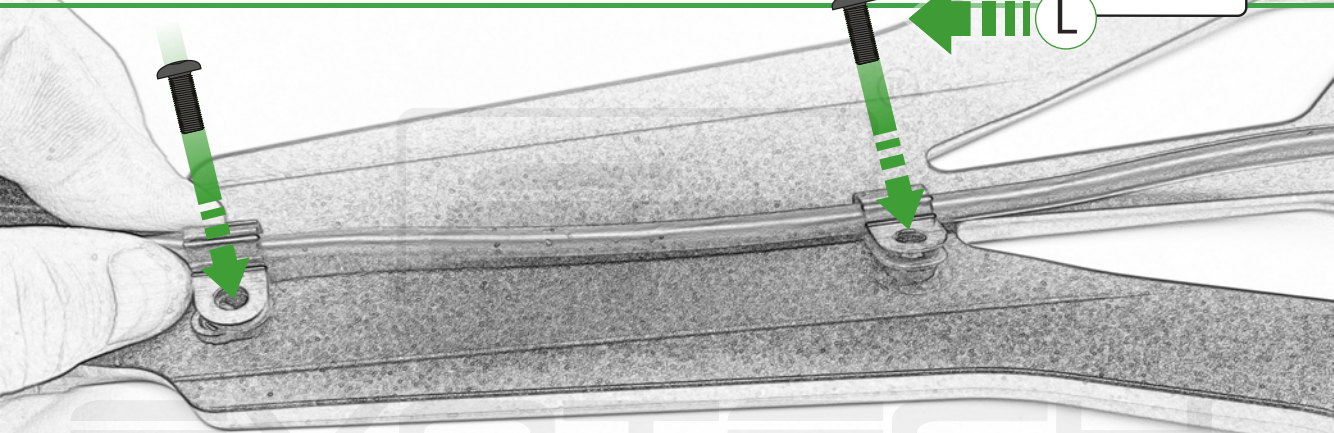


Transfer Screen
Rubber Bungs



EVOLTECH[®]
PERFORMANCE

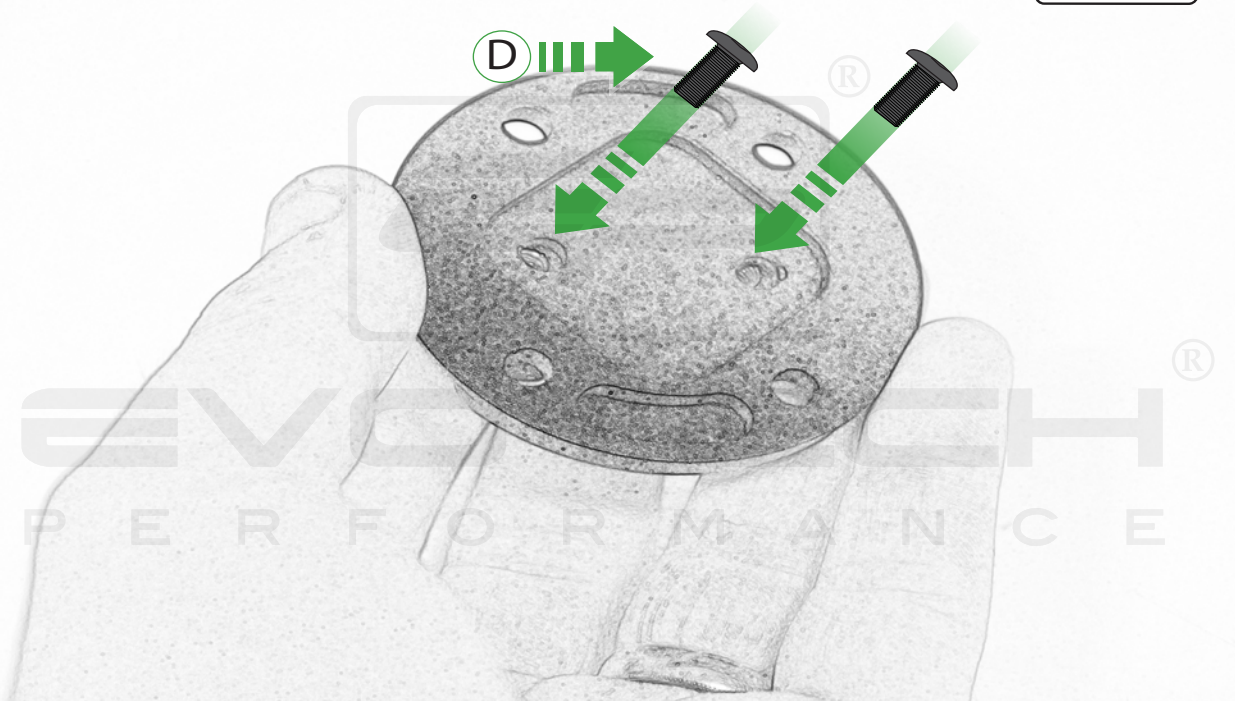


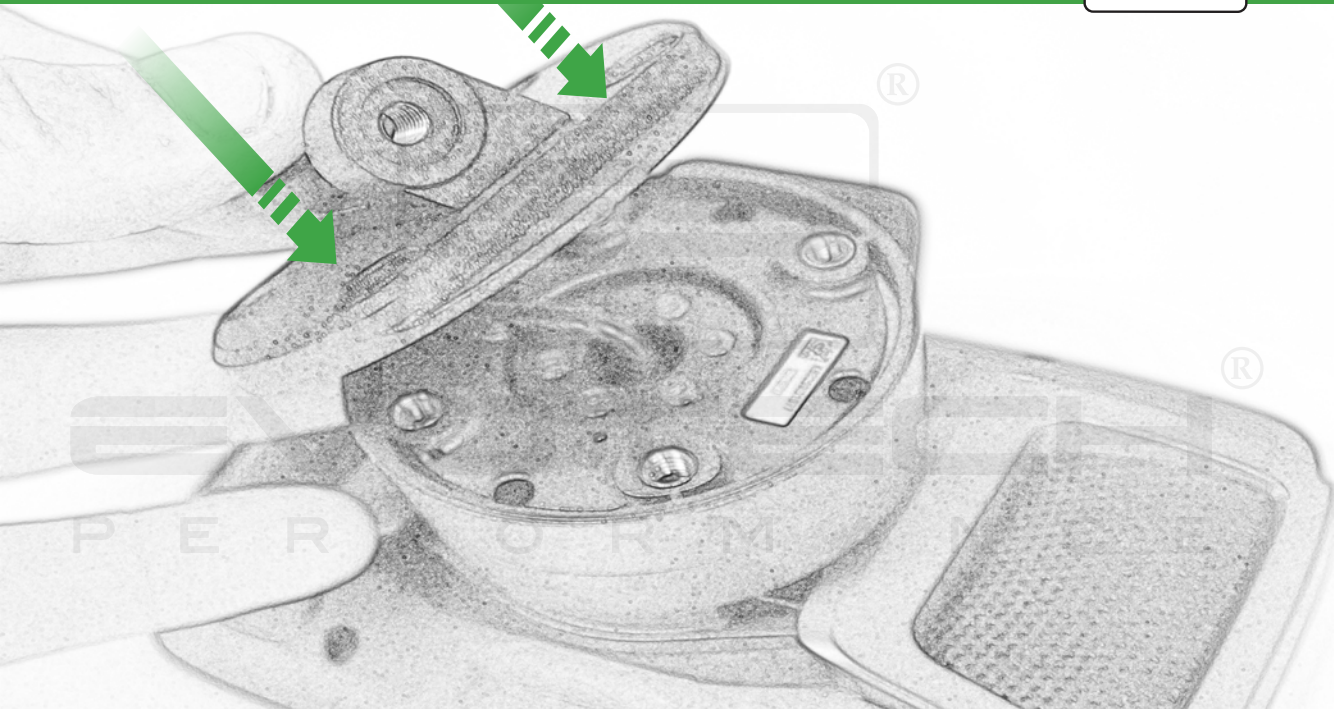


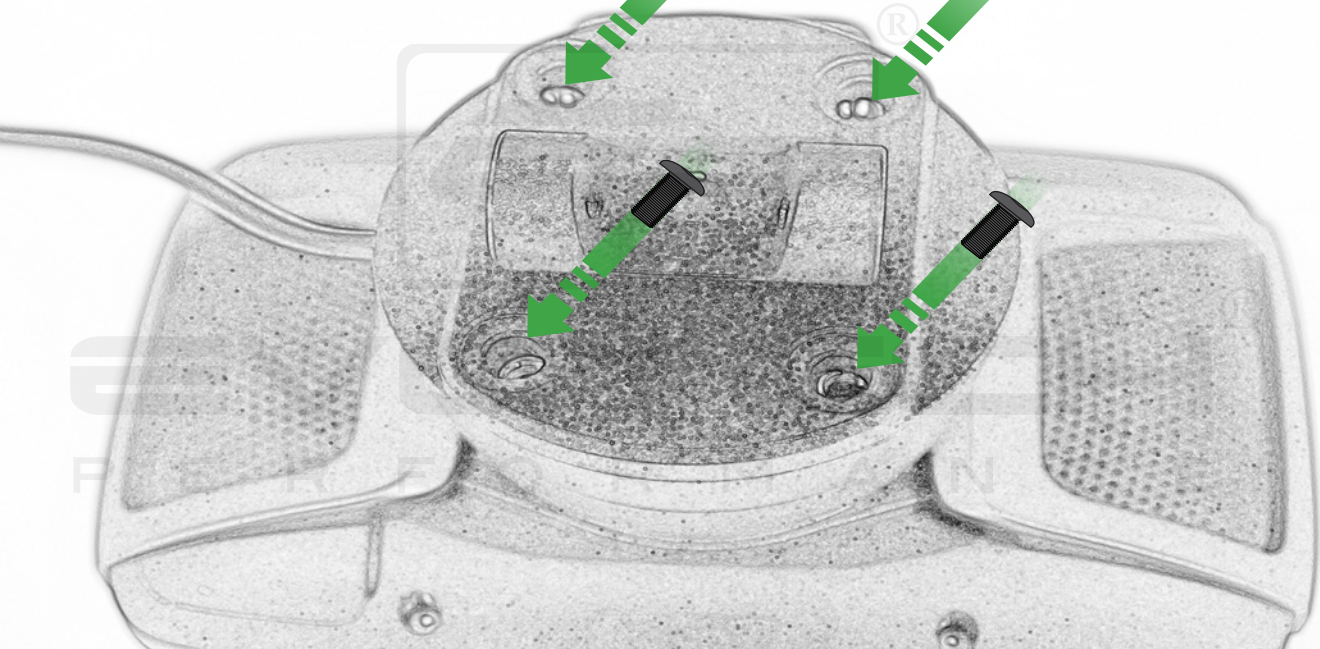
EVOTECH
P E R F O R M A N C E

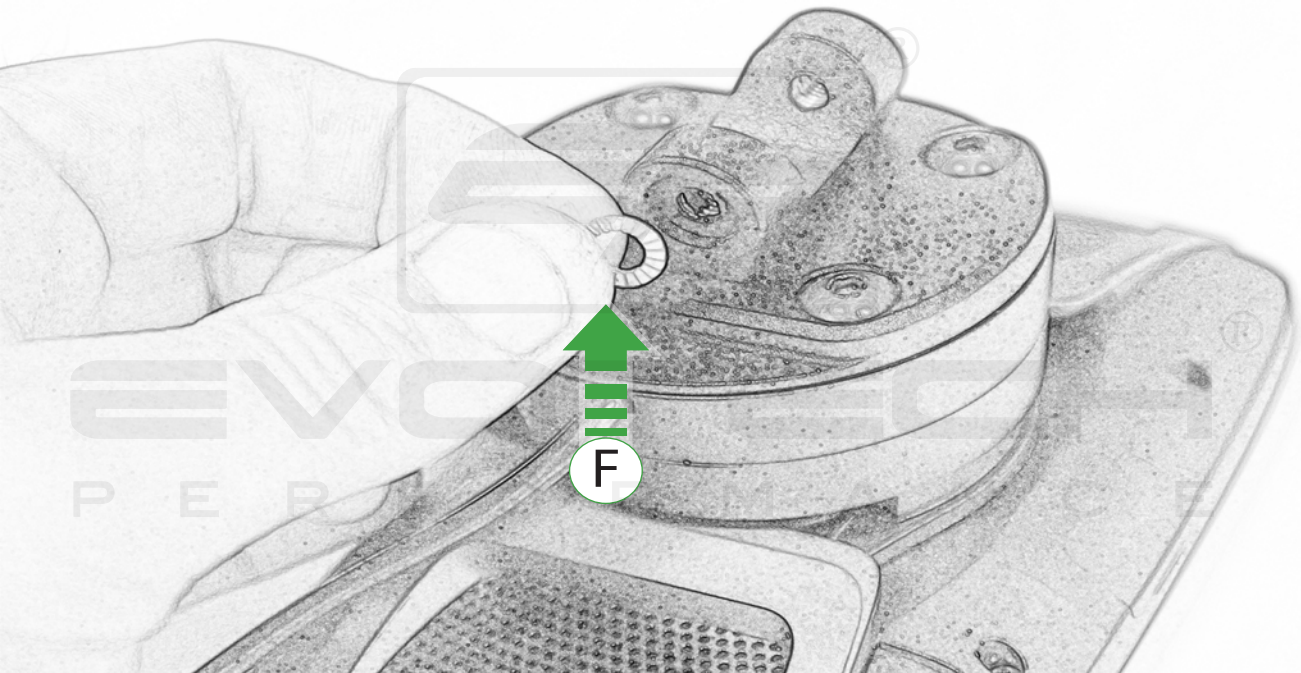


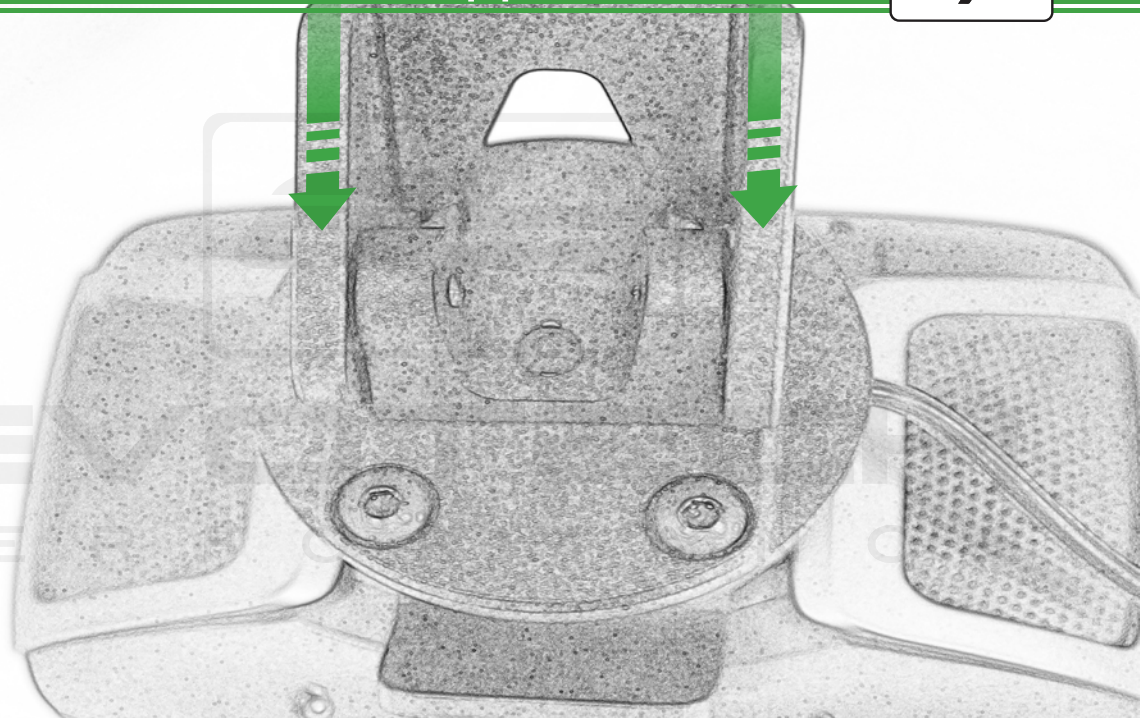
EVO
PERFORMANCE

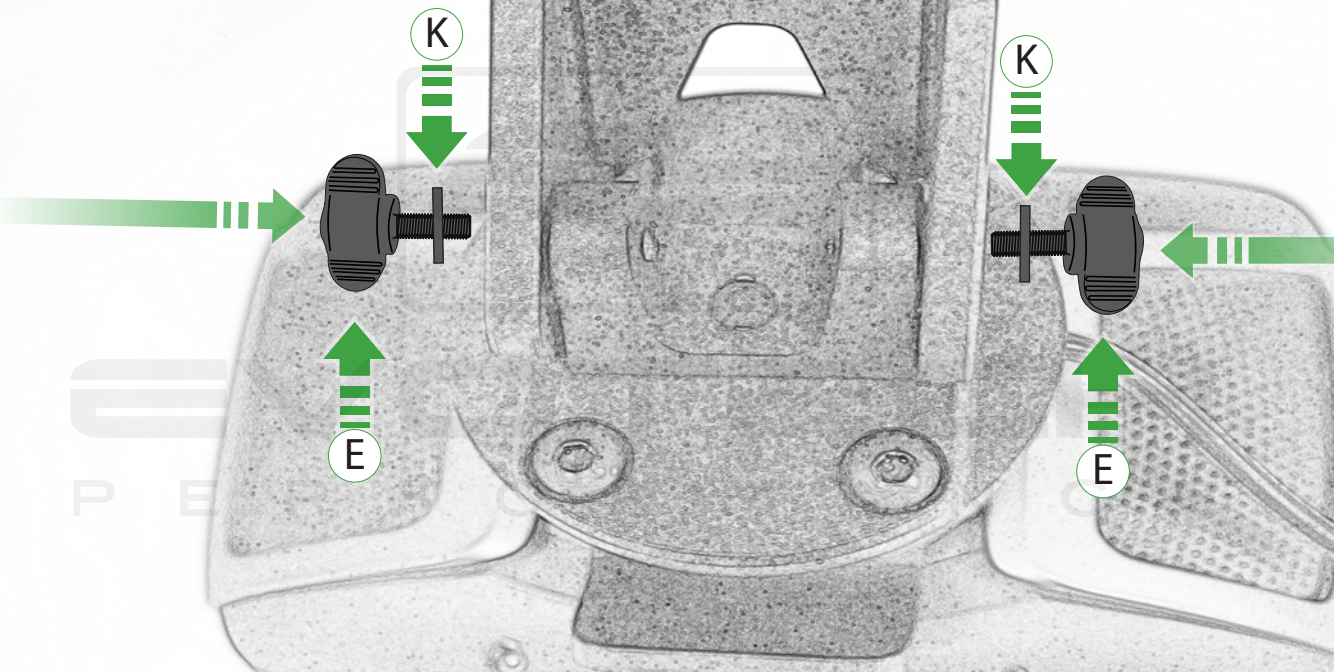






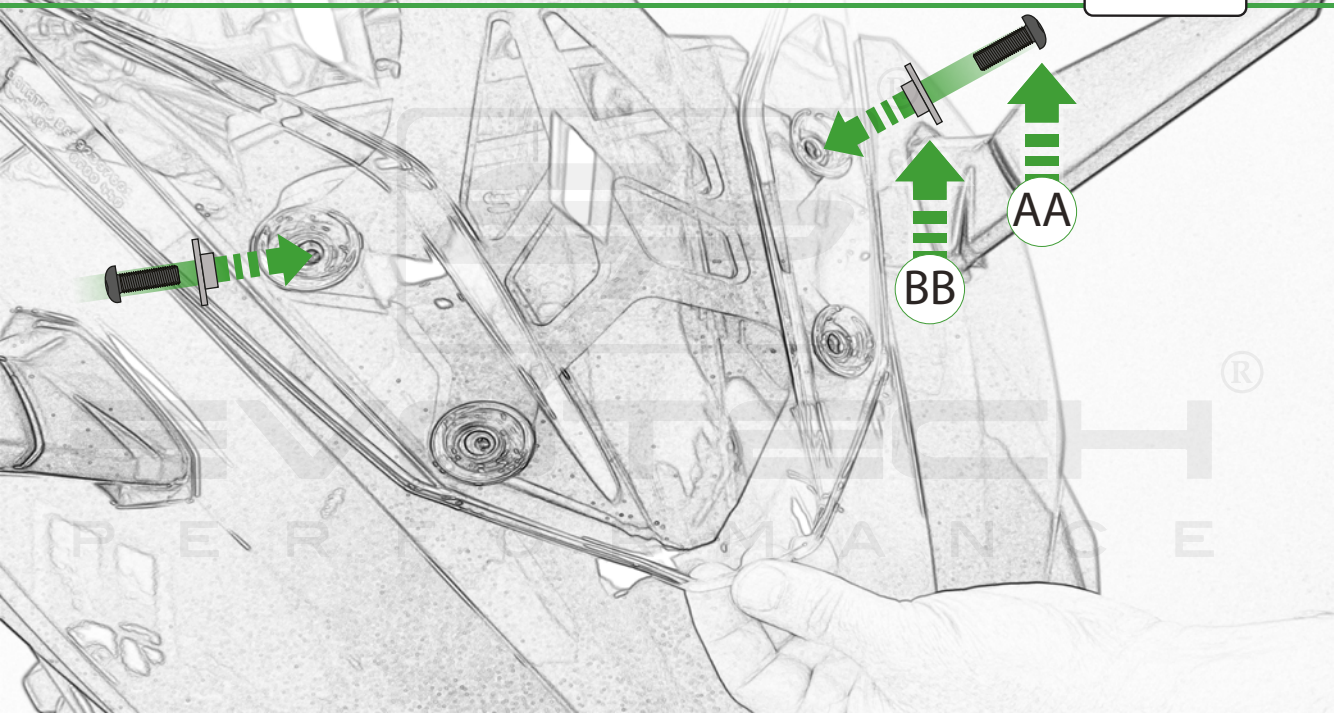


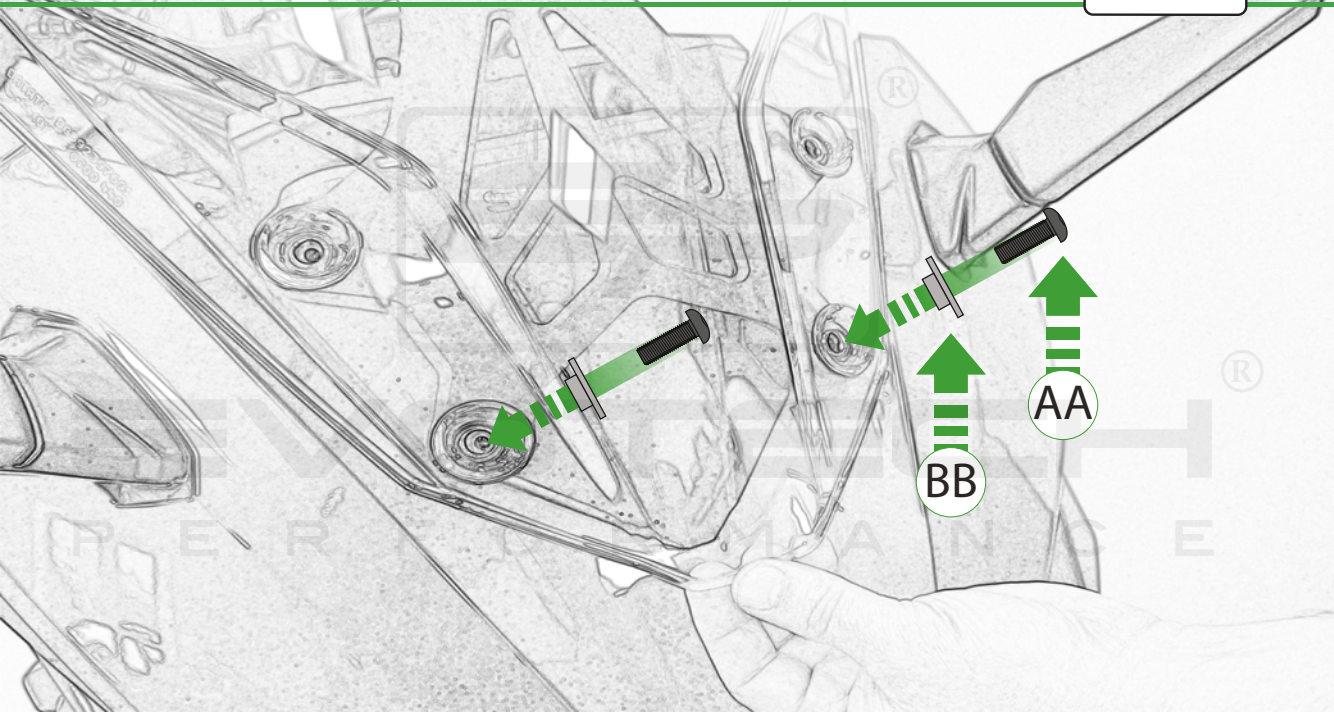














ESSENTIAL CHECKS



It is recommended that periodic inspections are made to ensure that all bolts are tightened to the specified torque settings.

Should the bike be involved in an accident a thorough inspection should be made and any components that have taken an impact, no matter how small, be replaced



EVOTECH®
P E R F O R M A N C E

www.evotech-performance.com