

1290 Super Duke R

Art. no. 3214110en



KTM

Congratulations on your decision to purchase a KTM motorcycle. You are now the owner of a state-of-the-art sports motorcycle that will give you enormous pleasure if you service and maintain it properly.

We hope you enjoy riding this motorcycle!

Enter the serial numbers of your vehicle below.

Vehicle identification number (📖 p. 24)	Dealer's stamp
Engine number (📖 p. 25)	
Key number (📖 p. 25)	

The Owner's Manual contained the latest information for this model series at the time of going to print. However, minor differences due to further developments in design cannot be ruled out completely.

All specifications contained herein are non-binding. KTM Sportmotorcycle GmbH specifically reserves the right to modify or delete technical specifications, prices, colors, forms, materials, services, designs, equipment, etc., without prior notice and without specifying reasons, to adapt these to local conditions, as well as to stop production of a particular model without prior notice. KTM accepts no liability for delivery options, deviations from figures and descriptions, misprints, and other errors. The models portrayed partly contain special equipment that does not belong to the regular scope of supply.

© 2020 KTM Sportmotorcycle GmbH, Mattighofen Austria
All rights reserved



3214110en

01/2020

Reproduction, even in part, as well as copying of all kinds, is permitted only with the express written permission of the copyright owner.



REG.NO. 12 100 6061

KTM Sportmotorcycle GmbH
Stallhofnerstraße 3
5230 Mattighofen, Austria

ISO 9001(12 100 6061)

KTM applies quality assurance processes that lead to the highest possible product quality as defined in the ISO 9001 international quality management standard.

Issued by: TÜV Management Service

This document is valid for the following models:

1290 Super Duke R EU (F9903T9, F9903T2)

1290 Super Duke R JP (F9986T2)



1	MEANS OF REPRESENTATION	10	4	VIEW OF VEHICLE	20
	1.1 Symbols used	10	4.1	View of vehicle, front left (example) ...	20
	1.2 Formats used.....	11	4.2	View of vehicle, rear right (example).....	22
2	SAFETY ADVICE.....	12	5	SERIAL NUMBERS	24
	2.1 Use definition – intended use.....	12	5.1	Vehicle identification number.....	24
	2.2 Misuse.....	12	5.2	Type label	24
	2.3 Safety advice.....	12	5.3	Key number.....	25
	2.4 Degrees of risk and symbols	13	5.4	Engine number	25
	2.5 Tampering warning.....	14	5.5	Fork part number	26
	2.6 Safe operation	14	5.6	Shock absorber article number	26
	2.7 Protective clothing	16	5.7	Steering damper article number	27
	2.8 Work rules.....	16	6	CONTROLS.....	28
	2.9 Environment.....	17	6.1	Clutch lever.....	28
	2.10 Owner's Manual	17	6.2	Hand brake lever.....	28
3	IMPORTANT NOTES.....	18	6.3	Throttle grip	29
	3.1 Manufacturer and implied warranty....	18	6.4	Combination switch, left side	29
	3.2 Fuel, auxiliary substances	18	6.5	Light switch	30
	3.3 Spare parts, accessories	18	6.6	Menu buttons	31
	3.4 Service	19	6.7	Turn signal switch.....	32
	3.5 Figures	19	6.8	Horn button.....	33
	3.6 Customer service.....	19	6.9	Cruise control buttons	33
			6.10	+RES/-SET button.....	36

TABLE OF CONTENTS

6.11	Combination switch, right	36	7.7	Display	62
6.12	Hazard warning flasher switch	37	7.8	TRACK Display (optional).....	64
6.13	Emergency OFF switch/electric starter button	38	7.9	Performance layout (optional).....	66
6.14	RACE-ON button.....	39	7.10	Small widget	68
6.15	C1 and C2 switch	40	7.11	Large widget.....	70
6.16	Steering lock (antenna).....	40	7.12	Odometer	71
6.17	Immobilizer	41	7.13	Engine speed.....	72
6.18	RACE-ON key	42	7.14	Shift warning light	72
6.19	Opening fuel tank filler cap.....	43	7.15	Cruise control indicator.....	73
6.20	Closing the fuel tank filler cap.....	45	7.16	Speed	74
6.21	Seat lock.....	46	7.17	ABS Mode display.....	74
6.22	Tool set.....	46	7.18	Ride display	75
6.23	Supporting strap	47	7.19	Gear display	75
6.24	Passenger foot pegs	47	7.20	Heated grip (optional).....	76
6.25	Shift lever	48	7.21	Seat heater (optional).....	76
6.26	Foot brake lever	49	7.22	Coolant temperature indicator	77
6.27	Side stand.....	49	7.23	Fuel level display	77
7	COMBINATION INSTRUMENT	52	7.24	Ambient air temperature indicator	78
7.1	Combination instrument	52	7.25	Time.....	79
7.2	Activation and test	53	7.26	Favourites display	79
7.3	Day-night mode	55	7.27	Navigation display (optional)	80
7.4	Warnings.....	56	7.28	Menu	81
7.5	Ice warning	57	7.28.1	KTM MY RIDE (optional)	81
7.6	Indicator lamps.....	58	7.28.2	Audio (optional).....	82
			7.28.3	Navigation (optional).....	84










7.28.4	Navigation information (optional)	85	7.28.29	Headset Type	110
7.28.5	Volume (optional)	86	7.28.30	Display Theme.....	111
7.28.6	Pairing (optional)	88	7.28.31	Button Illumination.....	112
7.28.7	Telephony (optional)	91	7.28.32	Shift Light	113
7.28.8	Trip 1	92	7.28.33	Daytime Runn. Light	114
7.28.9	Trip 2	93	7.28.34	Setting the time and date	115
7.28.10	General Info	94	7.29	Units	117
7.28.11	TPMS	95	7.30	Distance	118
7.28.12	Warnings.....	96	7.31	Temperature.....	119
7.28.13	Service	97	7.32	Pressure.....	120
7.28.14	Extra Functions	97	7.33	Consumption	121
7.28.15	Ride Mode	98	7.34	Language	122
7.28.16	Track (optional)	99	7.35	Heated Grips (optional).....	123
7.28.17	Throttle Response (optional)	100	7.36	Heated Seat (optional).....	124
7.28.18	Anti Wheelie Mode (optional)	101	7.37	Small widget	125
7.28.19	Launch Control (optional)	102	7.38	Large widget.....	125
7.28.20	Motorcycle	103	7.39	KTM MY RIDE widget.....	126
7.28.21	Heated Grips (optional)	103	7.40	NAVIGATION widget.....	127
7.28.22	Heated Seat (optional)	104	7.41	FAVORITES widget.....	128
7.28.23	MTC+MSR (optional).....	105	7.42	Widget INFO.....	129
7.28.24	ABS.....	106	7.43	HEATING widget.....	130
7.28.25	Quickshifter + (optional).....	107	7.44	MUSIC widget	131
7.28.26	Settings	107	8	ERGONOMICS	133
7.28.27	C1 and C2 buttons.....	108	8.1	Handlebar position.....	133
7.28.28	Bluetooth (optional)	109			

TABLE OF CONTENTS

8.2	Adjusting the handlebar position 	133	10.5	Starting off with launch control (optional)	157
8.3	Adjusting the basic position of the clutch lever	135	10.6	Quickshifter+ (optional)	158
8.4	Adjusting the basic position of the hand brake lever	136	10.7	Shifting, riding	159
8.5	Setting the step plate of the foot brake lever	137	10.8	MSR (optional)	165
8.6	Checking the basic position of the shift lever	138	10.9	Applying the brakes	166
8.7	Setting the shift lever stub	139	10.10	Stopping, parking	168
8.8	Adjusting the footrests 	140	10.11	Transporting	170
8.9	Adjusting the tilt of the combination instrument	144	10.12	Refueling	172
9	PREPARING FOR USE	147	11	SERVICE SCHEDULE	175
9.1	Advice on preparing for first use	147	11.1	Additional information	175
9.2	Running in the engine	149	11.2	Required work	175
9.3	Loading the vehicle	149	11.3	Recommended work	178
10	RIDING INSTRUCTIONS	152	12	SUSPENSION SETTING	180
10.1	Checks and maintenance measures when preparing for use	152	12.1	Fork/shock absorber	180
10.2	Starting the vehicle	153	12.2	Adjusting the spring preload of the fork	180
10.3	Launch Control (optional)	156	12.3	Adjusting the compression damping of the fork	181
10.4	Starting off	156	12.4	Adjusting the rebound damping of the fork	183
			12.5	Bleeding the fork legs	184
			12.6	Compression damping of the shock absorber	185

12.7	Adjusting the spring preload of the shock absorber	186	13.8	Removing the passenger seat	199
12.8	Adjusting the low-speed compression damping of the shock absorber.....	186	13.9	Mounting the passenger seat.....	200
12.9	Adjusting the high-speed compression damping of the shock absorber.....	188	13.10	Removing the front rider's seat.....	201
12.10	Adjusting the rebound damping of the shock absorber.....	189	13.11	Mounting the front rider's seat.....	202
13	SERVICE WORK ON THE CHASSIS.....	191	13.12	Removing left fuel tank spoiler.....	203
13.1	Lifting the motorcycle with the rear lifting gear	191	13.13	Installing the left fuel tank spoiler ...	205
13.2	Removing the rear of motorcycle from the lifting gear	191	13.14	Removing the main silencer 🛠.....	208
13.3	Lifting the motorcycle with the front lifting gear.....	192	13.15	Installing the main silencer 🛠.....	210
13.4	Taking the motorcycle off the front lifting gear	193	13.16	Checking the chain for dirt.....	212
13.5	Raising the motorcycle with the work stand (inserted) 🛠.....	194	13.17	Cleaning the chain	212
13.6	Removing the motorcycle from the work stand (inserted) 🛠.....	196	13.18	Checking the chain tension	214
13.7	Cleaning the dust boots of the fork legs 🛠.....	197	13.19	Adjusting the chain tension.....	216
			13.20	Checking the chain, rear sprocket, engine sprocket, and chain guide	217
			13.21	Checking/correcting the fluid level of the hydraulic clutch.....	222
			14	BRAKE SYSTEM	225
			14.1	Anti-lock braking system (ABS)	225
			14.2	Checking the brake discs	228
			14.3	Checking the front brake fluid level	229
			14.4	Adding front brake fluid 🛠.....	230
			14.5	Checking the front brake linings	233
			14.6	Checking the rear brake fluid level	234

TABLE OF CONTENTS

14.7	Adding rear brake fluid 	235	16.11	Disconnecting the USB cable.....	271
14.8	Checking the brake linings of the rear brake.....	238	16.12	Diagnostics connector	271
15	WHEELS, TIRES	239	16.13	Front ACC1 and ACC2	272
15.1	Removing the front wheel 	239	16.14	ACC1 and ACC2 rear	272
15.2	Installing the front wheel 	241	17	COOLING SYSTEM	273
15.3	Removing the rear wheel 	244	17.1	Checking the coolant level in the compensating tank.....	273
15.4	Installing the rear wheel 	245	17.2	Correcting the coolant level in the compensating tank.....	275
15.5	Checking the tire condition	247	18	ENGINE TUNING	277
15.6	Checking tire pressure	250	18.1	Ride Mode	277
15.7	Using tire repair spray	251	18.2	Motorcycle traction control (MTC)	278
16	ELECTRICAL SYSTEM	252	18.3	Anti wheelie mode (optional).....	279
16.1	Daytime running light (DRL).....	252	18.4	Slip adjustment (optional).....	279
16.2	Removing the 12-V battery 	253	18.5	Throttle Response (optional)	280
16.3	Installing the 12-V battery 	255	19	SERVICE WORK ON THE ENGINE	281
16.4	Charging the 12-V battery 	257	19.1	Checking the engine oil level.....	281
16.5	Changing the RACE-ON key battery	261	19.2	Changing the engine oil and oil filter, cleaning the oil screens 	282
16.6	Changing the main fuse.....	262	19.3	Adding engine oil	289
16.7	Changing the fuses in the fuse box.....	264	20	CLEANING, CARE	292
16.8	Checking the headlight setting	267	20.1	Cleaning the motorcycle	292
16.9	Adjusting the headlight range.....	268			
16.10	Connecting the USB cable	270			

20.2	Checks and maintenance steps for winter operation.....	295	24.2	Country-specific declarations of conformity.....	326
21	STORAGE.....	297	25	SUBSTANCES	327
21.1	Storage	297	26	AUXILIARY SUBSTANCES	331
21.2	Preparing for use after storage.....	299	27	STANDARDS	333
22	TROUBLESHOOTING	300	28	INDEX OF SPECIAL TERMS	334
23	TECHNICAL DATA.....	304	29	LIST OF ABBREVIATIONS.....	336
23.1	Engine.....	304	30	LIST OF SYMBOLS.....	337
23.2	Engine tightening torques	306	30.1	Red symbols.....	337
23.3	Capacities	311	30.2	Yellow and orange symbols.....	337
23.3.1	Engine oil	311	30.3	Green and blue symbols.....	338
23.3.2	Coolant	311		INDEX.....	339
23.3.3	Fuel	311			
23.4	Chassis	312			
23.5	Electrical system.....	313			
23.6	Tires	314			
23.7	Fork.....	315			
23.8	Shock absorber	316			
23.9	Chassis tightening torques	317			
24	DECLARATIONS OF CONFORMITY	325			
24.1	Declarations of conformity	325			

1 MEANS OF REPRESENTATION

1.1 Symbols used

The meaning of specific symbols is described below.



Indicates an expected reaction (e.g. of a work step or a function).



Indicates an unexpected reaction (e.g. of a work step or a function).



All work marked with this symbol requires specialist knowledge and technical understanding. In the interest of your own safety, have these jobs performed by an authorized KTM workshop! Your motorcycle will be optimally cared for there by specially trained experts using the auxiliary tools required.




Indicates a page reference (more information is provided on the specified page).



Indicates information with more details or tips.



Indicates the result of a testing step.

V	Indicates a voltage measurement.
A	Indicates a current measurement.
	Indicates the end of an activity, including potential rework.

1.2 Formats used

The typographical formats used in this document are explained below.

Proprietary name	Indicates a proprietary name.
Name®	Indicates a protected name.
Brand™	Indicates a brand available on the open market.
<u>Underlined terms</u>	Refer to technical details of the vehicle or indicate technical terms, which are explained in the glossary.

2 SAFETY ADVICE

2.1 Use definition – intended use

The vehicle is designed and constructed to withstand the usual demands of regular traffic and use on race courses. This vehicle is not suitable for offroad use.



Info

This vehicle is only authorized for operation on public roads in its homologated version.

2.2 Misuse

The vehicle must only be used as intended.

Dangers can arise for people, property and the environment through use not as intended.

Any use of the vehicle beyond the intended and defined use constitutes misuse.

Misuse also includes the use of operating and auxiliary fluids which do not meet the required specification for the respective use.

2.3 Safety advice

A number of safety instructions need to be followed to operate the product described safely. Therefore read this instruction and all further instructions included carefully. The safety instructions are highlighted in the text and are referred to at the relevant passages.

**Info**

Various information and warning labels are attached in prominent locations on the product described. Do not remove any information or warning labels. If they are missing, you or others may not recognize dangers and may therefore be injured.

2.4**Degrees of risk and symbols**

**Danger**

Identifies a danger that will immediately and invariably lead to fatal or serious permanent injury if the appropriate measures are not taken.

**Warning**

Identifies a danger that is likely to lead to fatal or serious injury if the appropriate measures are not taken.

**Caution**

Identifies a danger that may lead to minor injuries if the appropriate measures are not taken.

Note

Identifies a danger that will lead to considerable machine and material damage if the appropriate measures are not taken.

**Note**

Indicates a danger that will lead to environmental damage if the appropriate measures are not taken.

2.5 Tampering warning

Tampering with the noise control system is prohibited. Federal law prohibits the following acts or the causing thereof:

- 1 The removal or rendering inoperative by any person other than for purposes of servicing, repair, or replacement, of any device or element of design incorporated into any new vehicle for the purpose of noise control prior to its sale or delivery to the ultimate purchaser or while it is in use, or
- 2 the use of the vehicle after such device or element of design has been removed or rendered inoperative by any person.

Among those acts presumed to constitute tampering are the acts listed below:

- 1 Removal or puncturing of the main silencers, baffles, header pipes or any other components which conduct exhaust gases.
- 2 Removal or puncturing of parts of the intake system.
- 3 Lack of proper maintenance.
- 4 Replacing moving parts of the vehicle, or parts of the exhaust system or intake system, with parts other than those specified by the manufacturer.

2.6 Safe operation



Danger

Danger of accidents A rider who is not fit to ride poses a danger to him or herself and others.

- Do not operate the vehicle if you are not fit to ride due to alcohol, drugs or medication.
- Do not operate the vehicle if you are physically or mentally impaired.

**Danger**

Danger of poisoning Exhaust gases are toxic and inhaling them may result in unconsciousness and death.

- Always make sure there is sufficient ventilation when running the engine.
- Use effective exhaust extraction when starting or running the engine in an enclosed space.

**Warning**

Danger of burns Some vehicle components become very hot when the vehicle is operated.

- Do not touch any parts such as the exhaust system, radiator, engine, shock absorber, or brake system before the vehicle parts have cooled down.
- Let the vehicle parts cool down before you perform any work on the vehicle.

Only operate the vehicle when it is in perfect technical condition, in accordance with its intended use, and in a safe and environmentally compatible manner.

The vehicle should only be used by trained persons. An appropriate driver's license is needed to ride the vehicle on public roads.

Have malfunctions that impair safety promptly eliminated by an authorized KTM workshop.

Adhere to the information and warning labels on the vehicle.

2.7 Protective clothing



Warning

Risk of injury Missing or poor protective clothing presents an increased safety risk.

- Wear appropriate protective clothing such as helmet, boots, gloves as well as trousers and a jacket with protectors on all rides.
- Always wear protective clothing that is in good condition and meets the legal regulations.

In the interest of your own safety, KTM recommends that you only operate the vehicle while wearing protective clothing.

2.8 Work rules

Unless specified otherwise, the ignition must be turned off during all work (models with ignition lock, models with remote key) or the engine must be at a standstill (models without ignition lock or remote key).

Special tools are necessary for certain tasks. The tools are not a component of the vehicle, but can be ordered using the number in parentheses. Example: bearing puller (15112017000)

During assembly, use new parts to replace parts which cannot be reused (e.g. self-locking screws and nuts, seals, sealing rings, O-rings, pins, and lock washers).

In the case of certain screws, a screw adhesive (e.g. **Loctite**®) is required. Observe the manufacturer's instructions.

If thread locker (e.g., **Precote**®) has already been applied to a new part, do not apply any additional thread locker. After disassembly, clean the parts that are to be reused and check them for damage and wear. Change damaged or worn parts.

After completing a repair or service work, check the operating safety of the vehicle.

2.9 Environment

If you use your motorcycle responsibly, you can ensure that problems and conflicts do not occur. To protect the future of the motorcycle sport, make sure that you use your motorcycle legally, display environmental consciousness, and respect the rights of others.

When disposing of used oil, other operating and auxiliary fluids, and used components, comply with the laws and regulations of the respective country.

Because motorcycles are not subject to the EU regulations governing the disposal of used vehicles, there are no legal regulations that pertain to the disposal of an end-of-life motorcycle. Your authorized KTM dealer will be glad to advise you.

2.10 Owner's Manual

It is important that you read this Owner's Manual carefully and completely before making your first trip. The Owner's Manual contains useful information and many tips on how to operate, handle, and service your motorcycle. Only then will you find out how to customize the vehicle ideally for your own use and how you can protect yourself from injury.

Keep the Owner's Manual in an accessible place to enable you to refer to it as needed.

If you would like to know more about the vehicle or have questions on the material you read, please contact an authorized KTM dealer.

The Owner's Manual is an important component of the vehicle and must be handed over to the new owner if the vehicle is sold.

The Owner's Manual is also available for download from your authorized KTM dealer and on the KTM website. International KTM Website: <http://www.ktm.com>

3 IMPORTANT NOTES

3.1 Manufacturer and implied warranty

The work prescribed in the service schedule must only be carried out in an authorized KTM workshop and confirmed in the **KTM Dealer.net**, as otherwise all warranty claims will be void. Damage or secondary damage caused by tampering with and/or conversions on the vehicle are not covered by the manufacturer warranty.

3.2 Fuel, auxiliary substances



Note

Environmental hazard Improper handling of fuel is a danger to the environment.

- Do not allow fuel to enter the groundwater, the soil, or the sewage system.

Use fuels and auxiliary substances in accordance with the Owner's Manual and specification.

3.3 Spare parts, accessories

For your own safety, only use spare parts and accessory products that are approved and/or recommended by KTM and have them installed by an authorized KTM workshop. KTM accepts no liability for other products and any resulting damage or loss.

Certain spare parts and accessory products are specified in parentheses in the descriptions. Your authorized KTM dealer will be glad to advise you.

The current **KTM PowerParts** for your vehicle can be found on the KTM website.
International KTM Website: <http://www.ktm.com>

3.4 Service

A prerequisite for perfect operation and prevention of premature wear is that the service, care, and tuning work on the engine and chassis is properly carried out as described in the Owner's Manual. An incorrect suspension setting can lead to damage and breakage of chassis components.

Use of the vehicle under difficult conditions, such as in heavy rain, intense heat or with a heavy payload, may result in significantly increased wear of components such as the drive train, brake system, or suspension components. For this reason, it may be necessary to inspect or replace parts before the next scheduled service.

It is imperative that you adhere to the stipulated run-in times and service intervals. If you observe these exactly, you will ensure a much longer service life for your motorcycle.

The relevant mileage or time interval is whichever occurs first.

3.5 Figures

The figures contained in the manual may depict special equipment.

In the interest of clarity, some components may be shown disassembled or may not be shown at all. It is not always necessary to disassemble the component to perform the activity in question. Please follow the instructions in the text.

3.6 Customer service

Your authorized KTM dealer will be happy to answer any questions you may have on your vehicle and KTM.

A list of authorized KTM dealers can be found on the KTM website.

International KTM Website: <http://www.ktm.com>

4 VIEW OF VEHICLE

4.1 View of vehicle, front left (example)



- ① Clutch lever (📖 p. 28)
- ② Supporting strap (📖 p. 47)
- ③ Tool set (📖 p. 46)
- ④ Seat lock (📖 p. 46)
- ⑤ Passenger foot pegs (📖 p. 47)
- ⑥ Rider footrests
- ⑦ Shift lever (📖 p. 48)
- ⑧ Side stand (📖 p. 49)
- ⑨ Engine oil level viewer

4 VIEW OF VEHICLE

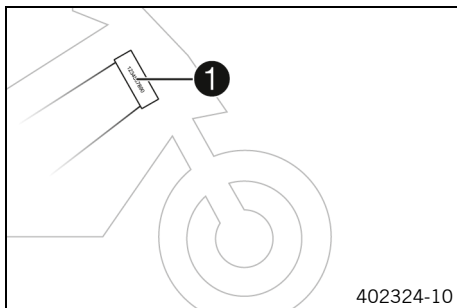
4.2 View of vehicle, rear right (example)



- ❶ Fuel tank filler cap
- ❷ Combination switch, left side (📖 p. 29)
- ❸ Emergency OFF switch/electric starter button (📖 p. 38)
- ❸ RACE-ON button (📖 p. 39)
- ❸ Hazard warning flasher switch (📖 p. 37)
- ❸ C1 and C2 switch (📖 p. 40)
- ❹ Throttle grip (📖 p. 29)
- ❺ Hand brake lever (📖 p. 28)
- ❻ Cooling system compensating tank
- ❼ Foot brake lever (📖 p. 49)
- ❽ Preload adjuster

5 SERIAL NUMBERS

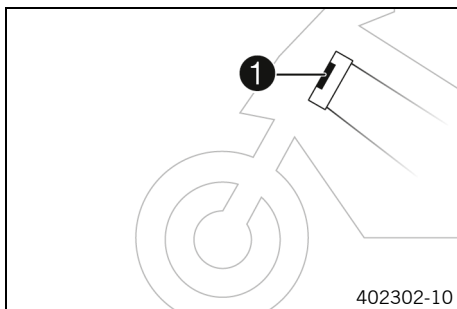
5.1 Vehicle identification number



The vehicle identification number **1** is stamped on the right side of the steering head.

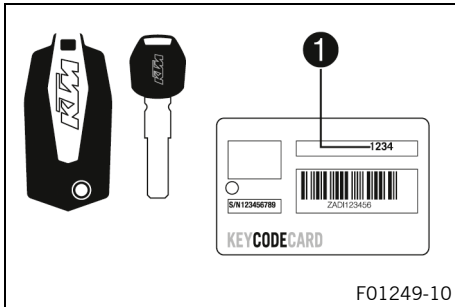
The vehicle identification number is also shown on the type label.

5.2 Type label



The type label **1** is located on the steering head.

5.3 Key number

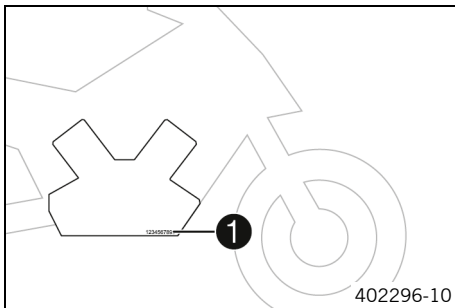


The key number **Code number 1** can be found on the **KEYCODECARD**.

i Info

You need the key number to order a spare key. Keep the **KEYCODECARD** in a safe place.

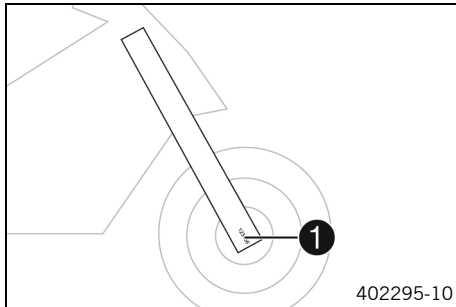
5.4 Engine number



The engine number **1** is stamped on the right side of the engine.

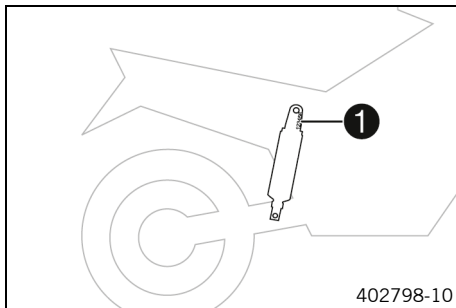
5 SERIAL NUMBERS

5.5 Fork part number



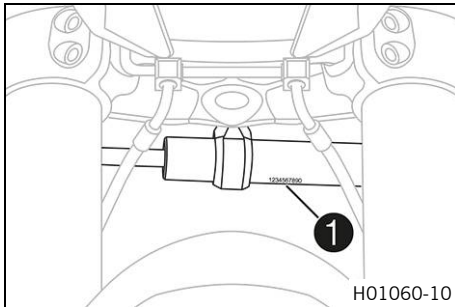
The fork part number **1** is stamped on the inside of the axle clamp.

5.6 Shock absorber article number



The shock absorber article number **1** is stamped on the top of the shock absorber above the adjusting ring towards the engine side.

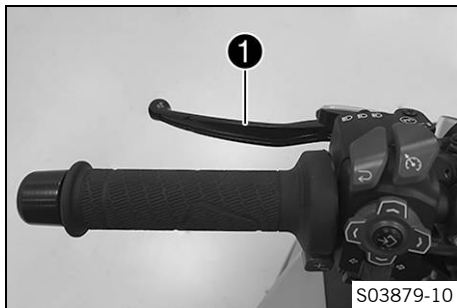
5.7 Steering damper article number



Steering damper item number ① is embossed on the underside of the steering damper.

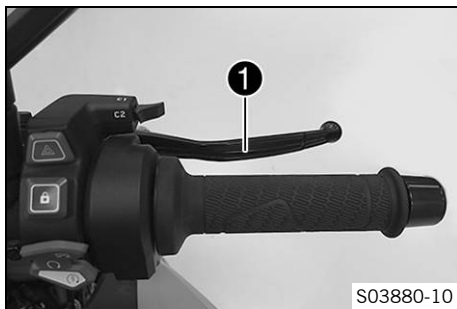
6 CONTROLS

6.1 Clutch lever



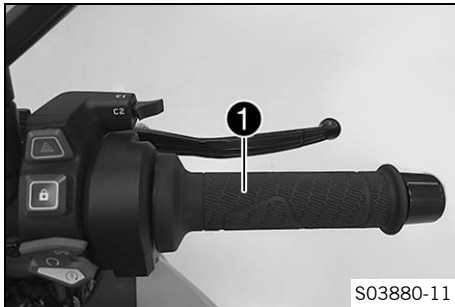
Clutch lever **1** is fitted on the handlebar on the left. The clutch is activated hydraulically and adjusts itself automatically.

6.2 Hand brake lever



The hand brake lever **1** is fitted on the right side of the handlebar. The front brake is engaged using the hand brake lever.

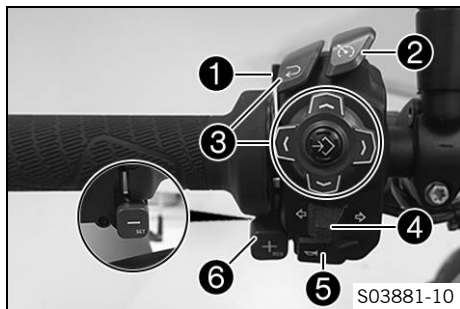
6.3 Throttle grip



The throttle grip **1** is fitted on the right side of the handlebar.

6.4 Combination switch, left side

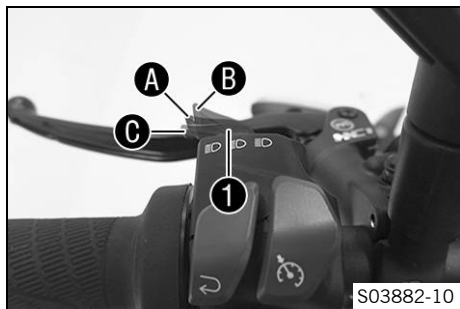
The left combination switch is fitted on the left side of the handlebar.



Overview of the left combination switch



- ❶ Light switch (📖 p. 30)
- ❷ Cruise control buttons (📖 p. 33)
- ❸ Menu buttons (📖 p. 31)
- ❹ Turn signal switch (📖 p. 32)
- ❺ Horn button (📖 p. 33)
- ❻ +RES/-SET button (📖 p. 36)

6.5 Light switch



The light switch ❶ is fitted on the combination switch on the left.

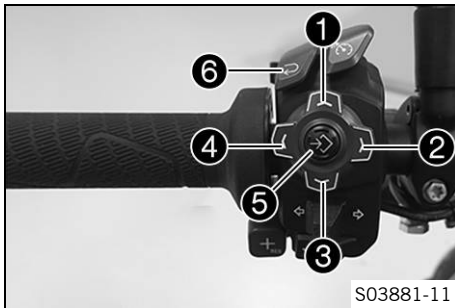
Possible states

	<p>Low beam on – Light switch in position A. In this position, the low beam and the tail light are switched on.</p>
	<p>High beam on – Light switch in position B. In this position, the high beam and the tail light are switched on.</p>



Headlight flasher – Light switch in position **C**. The headlight flasher is operated in this position. The light switch returns automatically to the position **A** after use.

6.6 Menu buttons



The menu buttons are fitted in the middle of the left combination switch.

The menu buttons are used to control the display on the combination instrument.

Button **1** is the **UP** button.

Button **2** is the **RIGHT** button.

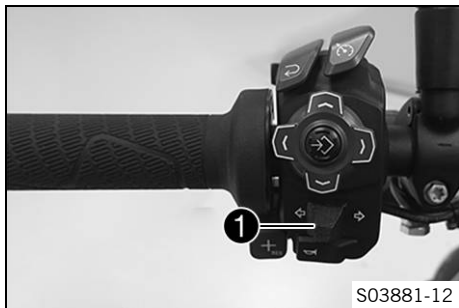
Button **3** is the **DOWN** button.

Button **4** is the **LEFT** button.

Button **5** is the **ENTER** button.




Button **6** is the **BACK** button.

6.7 Turn signal switch



Turn signal switch ① is fitted on the combination switch on the left.

Possible states

	Turn signal off – Turn signal switch pushed toward the switch housing.
	Left turn signal, on – Turn signal switch pressed to the left. The turn signal switch returns automatically to the central position after use.
	Right turn signal, on – Turn signal switch pressed to the right. The turn signal switch returns automatically to the central position after use.

i Info

An automatic turn signal switch-off function (**ATIR**) is available as a software feature.

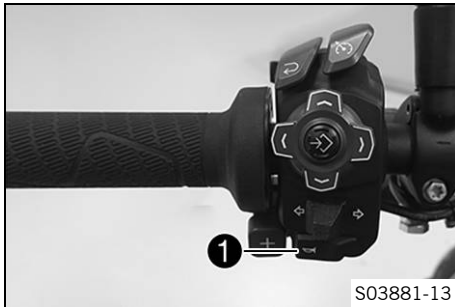
The **ATIR** function uses a time and distance counter.

If the turn signal has been on for at least 10 seconds and 150 meters of riding distance, the turn signal is switched off.

If the vehicle is stationary, both counters are stopped.



If the turn signal switch is reactivated, both counters are reset.

6.8 Horn button

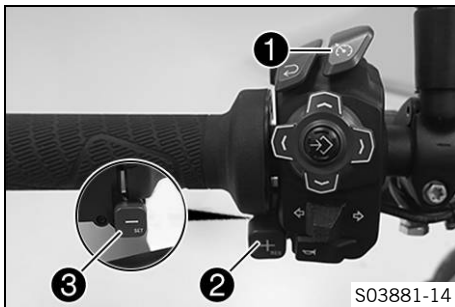


Horn button **1** is fitted on the left side of the handlebar.

Possible states


- The horn button  is in the basic position
- The horn button  is pressed – The horn is operated in this position.

6.9 Cruise control buttons



The cruise control buttons **1**, **2** and **3** of the are located on the left side of the combination switch.

Possible states

- Cruise control system button  in the basic position.
- Button **+RES** is pressed briefly. – The last saved speed is reapplied. Every subsequent brief pressing increases the target speed by 1 km/h or 1 mph.
- Button **+RES** is pressed and held. – The target speed increases in increments of 5 km/h or 5 mph.

- Button **-SET** is pressed. – The cruise control system function is activated and the current speed is maintained. Every subsequent brief press reduces the target speed by 1 km/h or 1 mph.
- Button **-SET** is pressed and held. – The target speed decreases in increments of 5 km/h or 5 mph.



Info

After activation of the cruise control system function, the throttle grip can be turned back to the basic position. The selected speed will be maintained.

If no target speed has yet been saved, this can be saved once using the **+RES** button.

If the target speed is exceeded for less than 30 seconds by turning the throttle grip, the cruise control system remains activated.

To switch off the cruise control system function press the cruise control system button again.

In addition, the cruise control system function is deactivated when one of the following events occurs:

- Operating the hand brake lever
- Operating the foot brake lever
- Operating the clutch lever
- Gear change without quickshifter+
- Turning the throttle grip beyond the basic position

- Control of the motorcycle traction control (**MTC**)
- Slip at the rear wheel or lifting front wheel
- A fault occurring, which impairs the cruise control system function
- Exceeding the target speed for more than 30 seconds when overtaking



Warning

Danger of accidents The cruise control system function is not suitable for all driving situations.

The selected target speed will not be reached, if the engine power is not sufficient for a gradient.

The selected target speed will be exceeded if the engine braking effect is not sufficient on a decline.

- Do not use the cruise control systems function on winding roads.
- Do not use the cruise control systems on slippery road surfaces (e.g. rain, ice or snow) or unpaved surfaces (e.g. sand, stones or gravel).
- Do not use the cruise control systems function if the traffic does not permit a constant speed.

The cruise control system function is only available when motorcycle traction control (**MTC**) is activated.

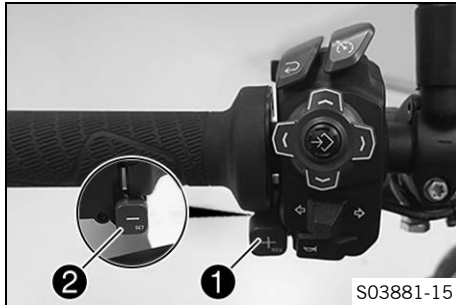
When motorcycle traction control (**MTC**) is switched off, the cruise control system function is also switched off.

The cruise control system function cannot be activated during rapid acceleration.

The cruise control system function can only be activated in third, fourth, fifth and sixth-gear.

The control range is from 40 to 200 km/h or from 25 to 125 mph.

6.10 +RES/-SET button



The **+RES** button **1** is fitted on the handlebar, front left.

The **-SET** button **2** is fitted on the handlebar, rear left.

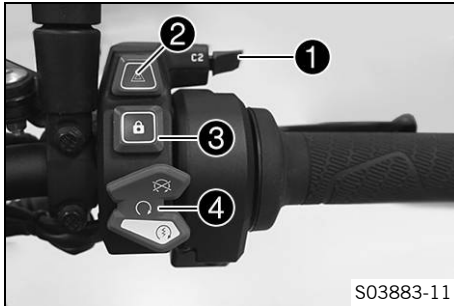
i Info

The **+RES** and **-SET** buttons are used to control the cruise control system when the cruise control function is activated.

If the cruise control function is disabled and the **Performance** or **Track** driving mode is set, the **+RES** and **-SET** buttons are used to set the **Slip Adjuster**.

6.11 Combination switch, right

The right combination switch is fitted on the right side of the handlebar.



Overview of the right combination switch

- ① C1 and C2 switch (📖 p. 40)
- ② Hazard warning flasher switch (📖 p. 37)
- ③ RACE-ON button (📖 p. 39)
- ④ Emergency OFF switch/electric starter button (📖 p. 38)

6.12 Hazard warning flasher switch



The hazard warning flasher switch ① is fitted on the right side of the combination switch. The hazard warning flasher is used to indicate emergency situations.

i Info

The hazard warning flasher can be activated or deactivated while the ignition is switched on or up to 60 seconds after the ignition is switched off. Only keep the hazard warning flasher activated as long as necessary as it depletes the 12-V battery.

Possible states



Hazard warning flasher on – All four turn signals and the green turn signal indicator lights in the combination instrument flash.

6.13 Emergency OFF switch/electric starter button



The emergency OFF switch/electric starter button **1** is fitted on the right side of the combination switch.

Possible states



Emergency OFF switch/electric starter button off (top position) – In this position, the ignition circuit is interrupted, a running engine stops, and a non-running engine cannot be started. A message appears on the display.



Emergency OFF switch/electric starter button on (middle position) – This position is required for operation; the ignition circuit is closed.



Starter motor on (lower position) – In this position, the starter motor is actuated.

6.14 RACE-ON button



The RACE-ON button ① is fitted on the right side of the combination switch.

i Info

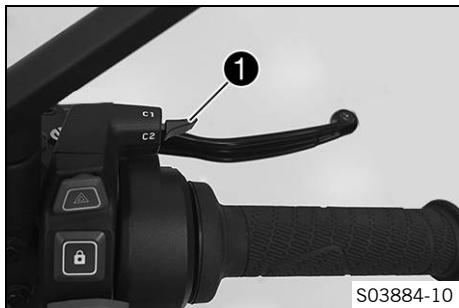
The RACE-ON button performs the ignition lock function on this vehicle.

The steering can only be locked if the handlebar is turned to the left.

Possible states

- RACE-ON button ① in the basic position.
- RACE-ON button ① pressed briefly – Pressing briefly switches the ignition on and unlocks the steering lock or switches the ignition off. The RACE-ON indicator lamp lights up briefly once for confirmation.
- RACE-ON button ① pressed and held – Pressing and holding switches the ignition off and locks the steering lock.

6.15 C1 and C2 switch



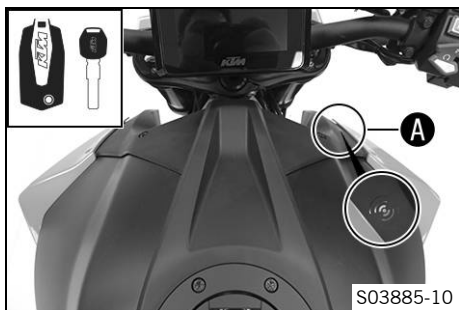
The C1 and C2 switch is fitted on the right of the combination switch.

i Info

The C1 and C2 switch enables quick access to various menus.

The C1 and C2 switch can be freely configured.

6.16 Steering lock (antenna)



On this vehicle, the ignition/steering lock is replaced by a remote key with transponder (RACE-ON key (📖 p. 42)).

In order to activate the steering lock, the handlebar must be turned fully to the left.

The steering is locked and unlocked electromechanically via the RACE-ON button (📖 p. 39).

If the battery voltage of the RACE-ON key is too low, place either the RACE-ON key or the black ignition key in area **A** and repeat starting.

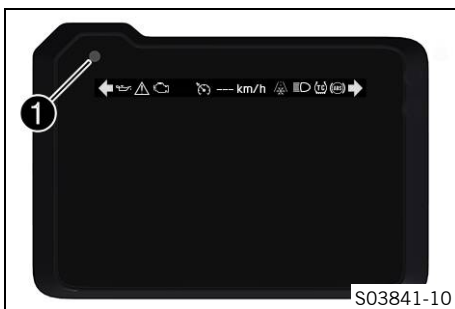
**Info**

Store the ignition key safely again as soon as the engine has been started.

Possible states

- Ignition off, steering locked – In this operating mode, the ignition circuit is interrupted and the steering locked.
- Ignition off, steering unlocked – In this operating mode, the ignition circuit is interrupted and the steering unlocked.
- Ignition on, steering unlocked – In this operating mode, the ignition circuit is closed and the steering unlocked.

6.17 Immobilizer

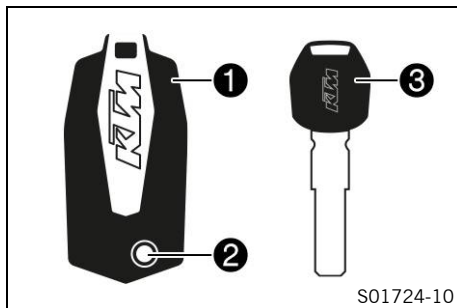


The electronic immobilizer secures the vehicle against unauthorized use.

The immobilizer is activated and the engine electronics are locked as soon as the ignition is switched off via the RACE-ON button (2) (📖 p. 39).

The RACE-ON indicator lamp (1) can indicate errors by flashing. If the optional alarm system is installed, the RACE-ON indicator lamp (1) flashes when the ignition is switched off and the alarm system is switched on.

6.18 RACE-ON key



In this vehicle, the RACE-ON key ① performs all the functions of the conventional ignition key.

Press the ② button to fold out the key bit. The key bit is only used for unlocking the seat lock and for opening the cases (optional).

The black ignition key ③ is only intended for situations in which the RACE-ON key is not available or is not functional. The black ignition key can be used to start the vehicle if the RACE-ON key battery voltage is too low and the transponder is not recognized by the vehicle. The black Race-on key can also be used to unlock the seat lock and open the cases (optional).



Info

The ignition keys contain electronic components. Always maintain a distance of several centimeters to other devices with electronic components.

A lost ignition key must be deactivated by an authorized KTM workshop to prevent unauthorized persons from operating the vehicle.

The ignition keys supplied are activated when delivered.

Up to four ignition keys in total can be activated by an authorized KTM workshop. The key number must be provided in each case.

6.19 Opening fuel tank filler cap



Danger

Fire hazard Fuel is highly flammable.

The fuel in the fuel tank expands when warm and can escape if overfilled.

- Do not refuel the vehicle in the vicinity of open flames or lit cigarettes.
- Switch off the engine for refueling.
- Make sure that no fuel is spilled; particularly not on hot parts of the vehicle.
- If any fuel is spilled, wipe it off immediately.
- Observe the specifications for refueling.



Warning

Danger of poisoning Fuel is poisonous and a health hazard.

- Avoid skin, eye and clothing contact with fuel.
- Immediately consult a doctor if you swallow fuel.
- Do not inhale fuel vapors.
- In case of skin contact, rinse the affected area with plenty of water.
- Rinse the eyes thoroughly with water, and consult a doctor in case of fuel contact with the eyes.
- Change your clothing in case of fuel spills on them.
- Keep fuels correctly in a suitable canister, and out of the reach of children.



Note

Environmental hazard Improper handling of fuel is a danger to the environment.

- Do not allow fuel to enter the groundwater, the soil, or the sewage system.

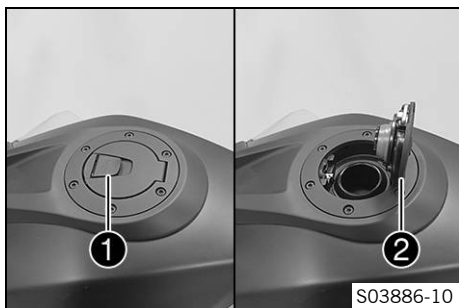
Condition

The motorcycle is stationary.

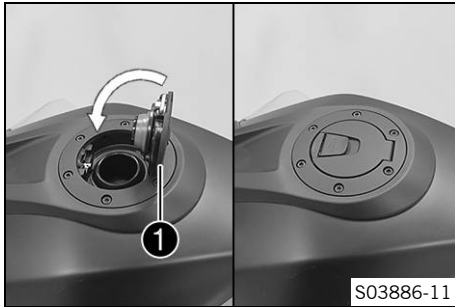
The engine is switched off.

The ignition has been switched on or off for less than 1 minute.

- Fold up cover **1** slowly.
 - ✓ The fuel tank filler cap is unlocked.
- Fold up fuel tank filler cap **2**.



6.20 Closing the fuel tank filler cap



Warning

Fire hazard Fuel is highly flammable, toxic and a health hazard.

- Check that the fuel tank filler cap is locked correctly after closing.
- Change your clothing if fuel spills on them.
- Rinse the affected area immediately with plenty of water in the event of contact with the skin.

- Fold down fuel tank filler cap ① and push it down.
✓ The fuel tank filler cap locks audibly in place.



6 CONTROLS

6.21 Seat lock



Seat lock **1** is located on the left side of the vehicle under the seat.

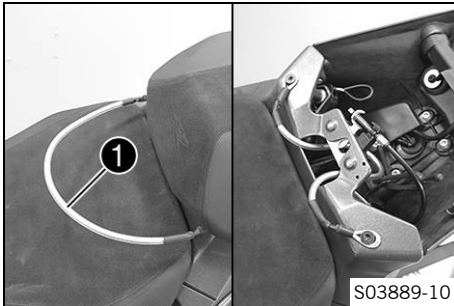
It can be unlocked using the RACE-ON key or the black ignition key.

6.22 Tool set



The tool set **1** is located under the passenger seat.

6.23 Supporting strap



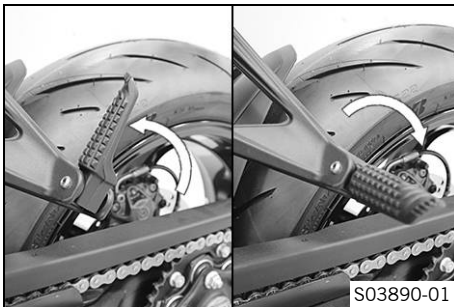
Supporting strap ① is attached underneath the passenger seat.

i Info

If the supporting strap is not needed, it can be stowed underneath the pillion bench.

The supporting strap is provided for the passenger to hold on to.

6.24 Passenger foot pegs

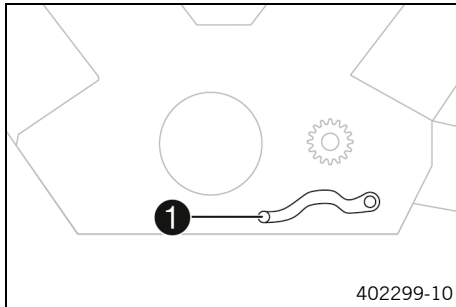


The passenger foot pegs can be folded up and down.

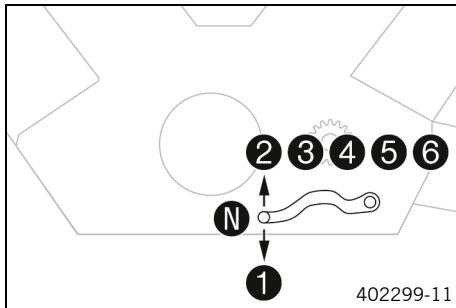
Possible states

- Passenger foot pegs folded up – For operation without a passenger.
- Passenger foot pegs folded down – For operation with a passenger.

6.25 Shift lever

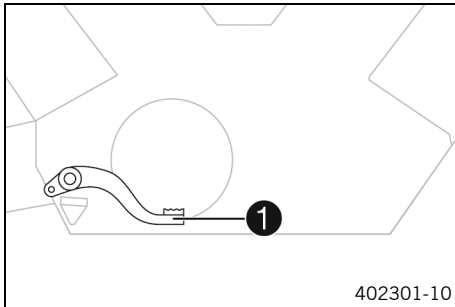


The shift lever **1** is fitted on the left side of the engine.



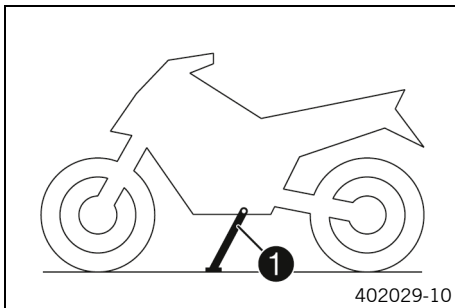
The gear positions can be seen in the figure.
The idle position is between first and second gears.

6.26 Foot brake lever



Foot brake lever **1** is located in front of the right footrest. The rear brake is engaged with the foot brake lever.

6.27 Side stand



Side stand **1** is located on the left of the vehicle. The side stand is used for parking the motorcycle.

i Info

The side stand must be folded up during motorcycle use. The side stand is coupled with the safety starting system; see the instructions in the "Stopping, parking" chapter.

Possible states

- Side stand folded out – The vehicle can be supported on the side stand. The safety starting system is active.

6 CONTROLS

- Side stand folded in – This position is mandatory when riding the motorcycle. The safety starting system is inactive.

7 COMBINATION INSTRUMENT

7.1 Combination instrument



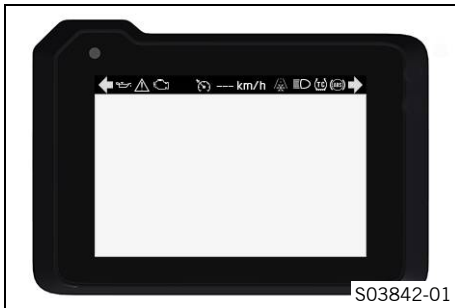
S03758-10

The combination instrument is attached in front of the handlebar.
The combination instrument is divided into two function areas.

① indicator lamps (📖 p. 58)

Display ②

7.2 Activation and test



Activation

The combination instrument is activated when the ignition is switched on.

Info

The brightness of the displays is controlled by an ambient light sensor in the combination instrument.

Test

The welcome sequence appears on the display and the indicator lamps are briefly activated for a function check.



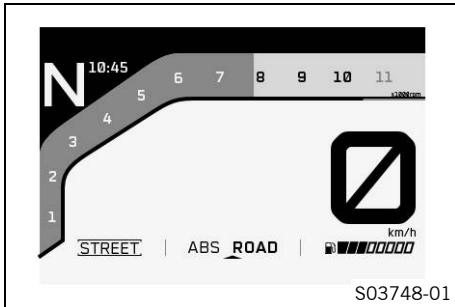
Info

The malfunction indicator lamp always lights up as long as the engine is not running. If the engine is running and the malfunction indicator lamp lights up, stop (taking care not to endanger yourself or other road users in the process) and contact an authorized KTM workshop.

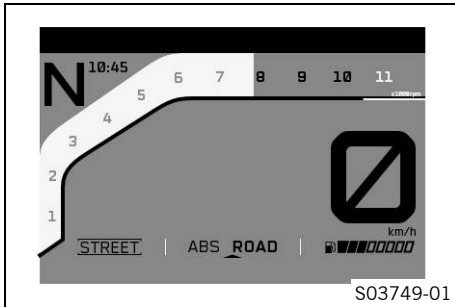
The oil pressure warning lamp always lights up as long as the engine is not running. If the engine is running and the oil pressure warning lamp lights up, stop immediately (taking care not to endanger yourself or other road users in the process) and switch off the engine.

The ABS warning lamp and TC indicator lamp light up until a speed of approx. 6 km/h (approx. 4 mph) or more has been reached.

7.3 Day-night mode



Day mode is shown in a bright color.



Night mode is shown in a dark color.

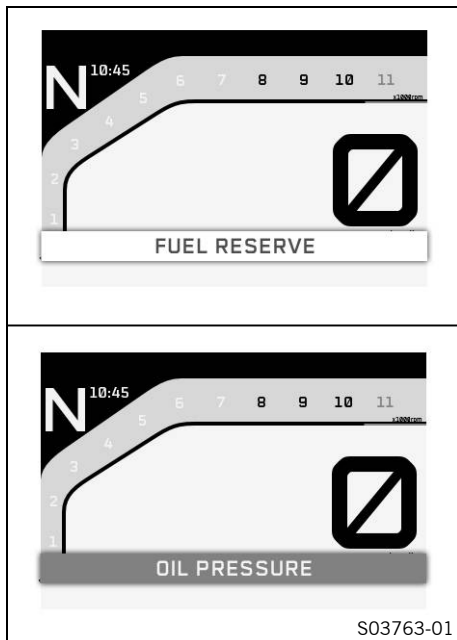
i Info

The ambient light sensor in the combination instrument measures the brightness of the environment and automatically switches the display to day or night mode. The display is brightened, darkened or switched to the other mode depending on the brightness measured by the ambient light sensor.

In the **Display Theme** menu, the display mode can be changed manually between **AUTOMATIC** and **NIGHT**.

7 COMBINATION INSTRUMENT

7.4 Warnings



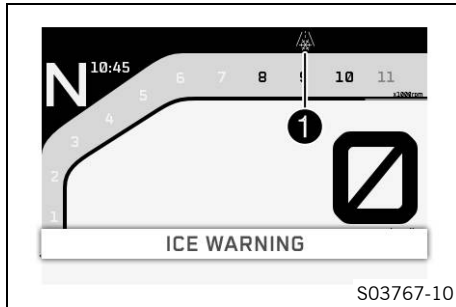
Warnings appear on the bottom edge of the display; these are marked yellow or red depending on their relevance. Yellow warnings indicate errors or information which require prompt intervention or an adjustment to the riding style. Red warnings indicate errors or information which require immediate intervention.





Info


Warnings can be hidden by pressing any button. All the existing warnings are displayed in the **Warnings** menu until they are no longer active.

7.5 Ice warning




The ice warning  goes on when there is an increased risk of ice on the roads.

The ice warning  is shown in area **1** of the display.


The ice warning  appears on the display when the ambient temperature drops below the specified value.

Temperature	4 °C (39 °F)
-------------	--------------

The ice warning  goes out on the display when the ambient temperature rises above the specified value again.

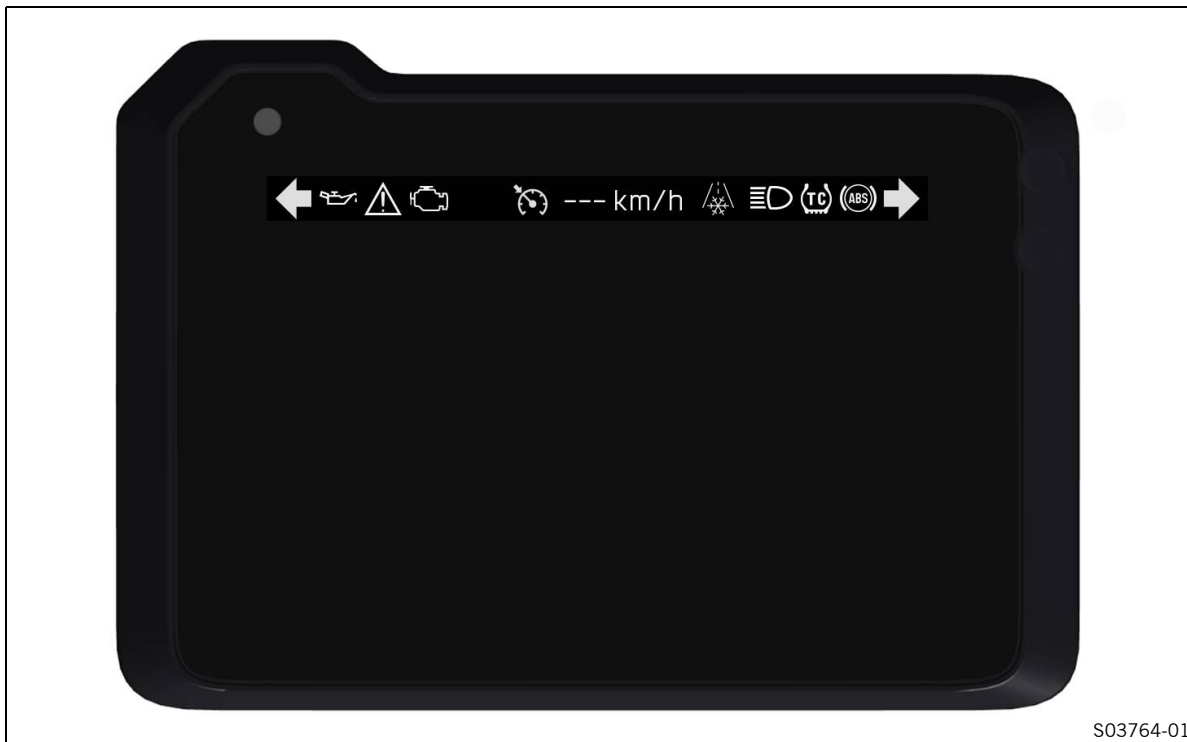
Temperature	6 °C (43 °F)
-------------	--------------

i **Info**

When the ice warning  lights up, the warning **ICE WARNING** also appears.

7 COMBINATION INSTRUMENT

7.6 Indicator lamps



The indicator lamps offer additional information about the operating state of the motorcycle.
When the ignition is switched on, all indicator lamps light up briefly.






Info

The malfunction indicator lamp always lights up as long as the engine is not running. If the engine is running and the malfunction indicator lamp lights up, stop (taking care not to endanger yourself or other road users in the process) and contact an authorized KTM workshop.







The oil pressure warning lamp always lights up as long as the engine is not running. If the engine is running and the oil pressure warning lamp lights up, stop immediately (taking care not to endanger yourself or other road users in the process) and switch off the engine.

The ABS warning lamp and TC indicator lamp light up until a speed of approx. 6 km/h (approx. 4 mph) or more has been reached.

Possible states

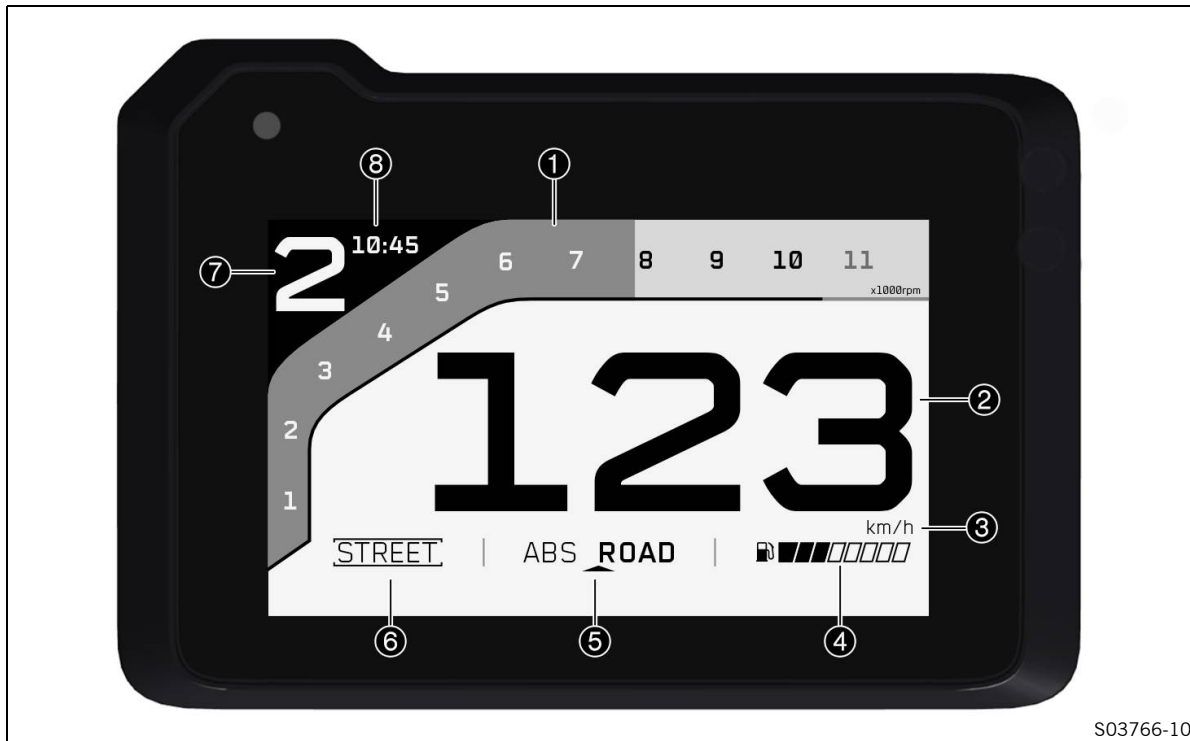
	RACE-ON indicator lamp lights up/flashes yellow/red – Status or error messages relating to Race-on system/alarm system.
	The left turn signal indicator lamp flashes green with a steady rhythmic flash – The left turn signal is switched on.
	The high beam indicator lamp lights up blue – The high beam is switched on.
	The general warning lamp lights up yellow – A note/warning note on operating safety has been detected. This is also shown in the display.
	The ABS warning lamp lights up yellow – Status or error messages relating to <u>ABS</u> . When ABS Supermoto mode is activated, SM is shown in the display.

7 COMBINATION INSTRUMENT

	TC indicator lamp lights up/flashes yellow – The MTC (📖 p. 278) is not active, is currently intervening or a Launch Control Start is being executed. The TC indicator lamp also lights up if an error is detected. Contact an authorized KTM workshop. The TC indicator lamp flashes if the motorcycle traction control actively engages.
	The oil pressure warning lamp lights up red – The oil pressure is too low. Stop immediately, taking care not to endanger yourself or other road users in the process, and switch off the engine.
	The cruise control system indicator lamp lights up yellow – The cruise control system function is switched on, but cruise control is not activated.
	The cruise control system indicator lamp lights up green – The cruise control system function is switched on and cruise control is activated.
	Malfunction indicator lamp lights up yellow – The <u>OBD</u> has detected an error in the vehicle electronics.
	The right turn signal indicator lamp flashes green with a steady rhythmic flash – The right turn signal is switched on.

7 COMBINATION INSTRUMENT

7.7 Display



S03766-10

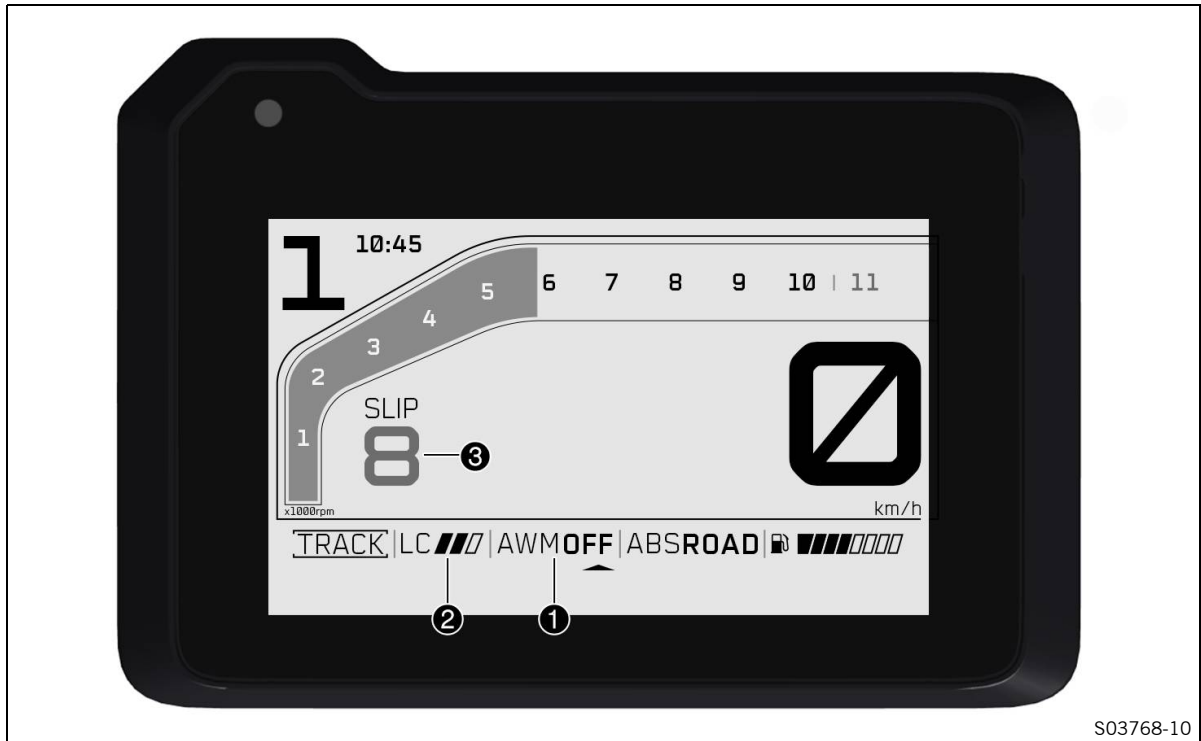
**Info**

The figure shows the start screen of the combination instrument. If the menu is opened, the speed is still displayed.

- ① Tachometer
- ① Shift warning light (📖 p. 72)
The shift warning light is integrated in the tachometer display.
- ② Speed
- ③ Unit for the speedometer
- ④ Fuel level display (📖 p. 77)
- ⑤ **ABS Mode** display (📖 p. 74)
- ⑥ **Ride Mode** (📖 p. 277)
- ⑦ Gear display
- ⑧ Time (📖 p. 79)

7 COMBINATION INSTRUMENT

7.8 TRACK Display (optional)





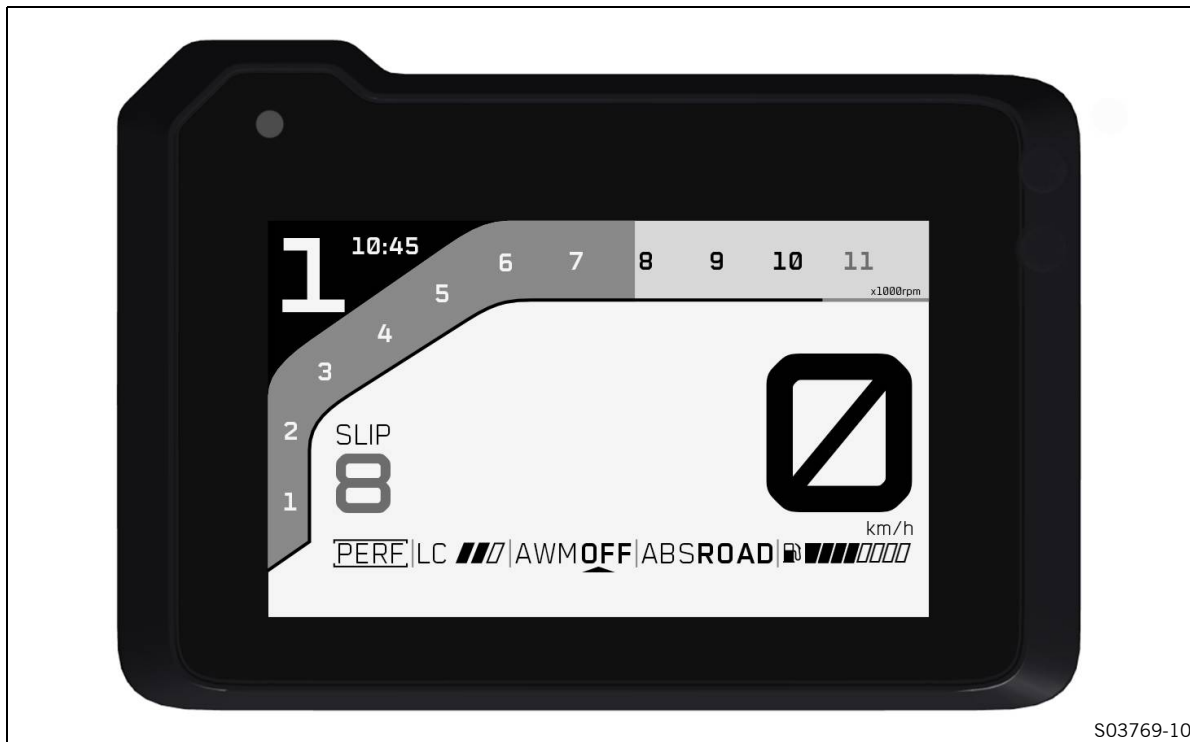
Info

The figure shows the start screen of the combination instrument in active drive mode **TRACK** (optional). If the menu is opened, the speed is still displayed.

- ① Anti wheelie mode (optional) (📖 p. 279)
- ② Launch Control (optional) (📖 p. 156)
Slip adjustment (optional) (📖 p. 279)
- ③ If the slip adjustment changes in the widget, this indicator is replaced by the slip adjustment indicator for a few seconds.

7 COMBINATION INSTRUMENT

7.9 Performance layout (optional)



S03769-10

The figure shows the start screen of the combination instrument in active drive mode **TRACK** (optional) in the performance layout.

In the performance layout, you can use **KTM MY RIDE** in **TRACK** mode (optional).

If the menu is opened, the speed is still displayed.

7 COMBINATION INSTRUMENT

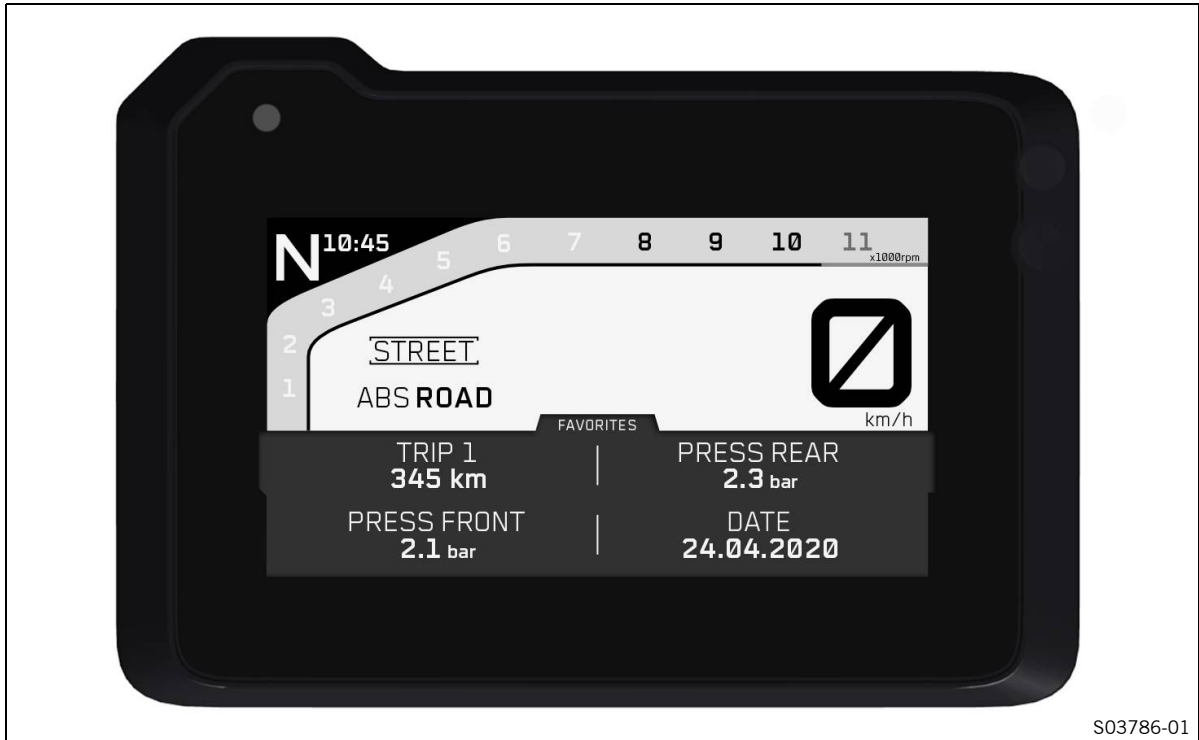
7.10 Small widget



The figure shows the start screen of the combination instrument with the small widget opened. Information can be accessed in the small widget.

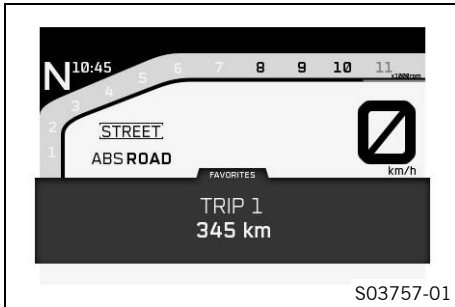
7 COMBINATION INSTRUMENT

7.11 Large widget



The figure shows the start screen of the combination instrument with the large widget opened. Information can be accessed and configured in the large widget.

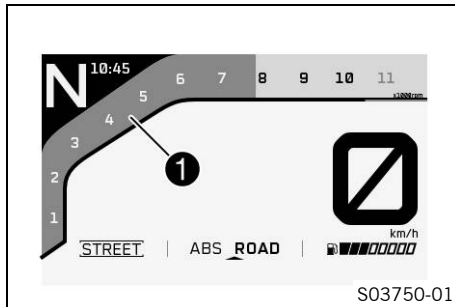
7.12 Odometer



The odometer can be displayed in the **FAVORITES** widget as **Trip 1**. To do this, the information must be configured in the widget. Information on the total distance covered can be accessed in the **General Info** menu under menu item **ODO** or configured as widget information. The **Trip 1** menu displays further information. Information about other distances covered can be accessed in the **Trip 2** menu.

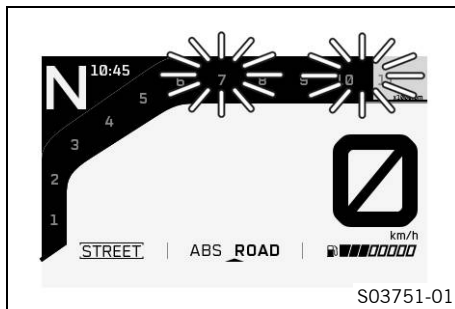
7 COMBINATION INSTRUMENT

7.13 Engine speed



The engine speed is shown in area **1** of the display.
The engine speed is measured in revolutions per minute.

7.14 Shift warning light



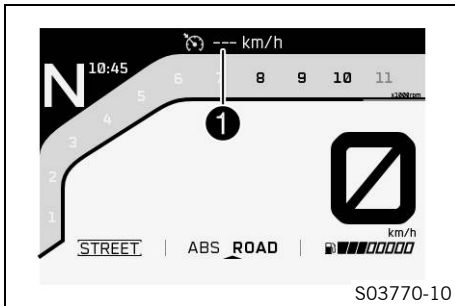
The shift warning light is integrated in the tachometer display. In the **Settings** menu under **Shift Light**, the engine speed for the shift warning light can be set. The shift warning light is always active during the running-in phase (up to 1,000 km / 621 mi). The shift warning light can only be deactivated, and the values for **RPM 1** and **RPM 2** can only be adjusted after this. The shift warning light flashes slowly at **RPM 1** and flashes quickly at **RPM 2**.

i Info

In sixth-gear, the shift warning light is deactivated when the engine is warm after the first service.

Coolant temperature	$\leq 35\text{ }^{\circ}\text{C}$ ($\leq 95\text{ }^{\circ}\text{F}$)
ODO	< 1,000 km (< 620 mi)
The shift warning light always lights up at	6,500 rpm
Coolant temperature	$> 35\text{ }^{\circ}\text{C}$ ($> 95\text{ }^{\circ}\text{F}$)
ODO	> 1,000 km (> 620 mi)
RPM 1 shift warning light	flashes slowly
RPM 2 shift warning light	flashes quickly

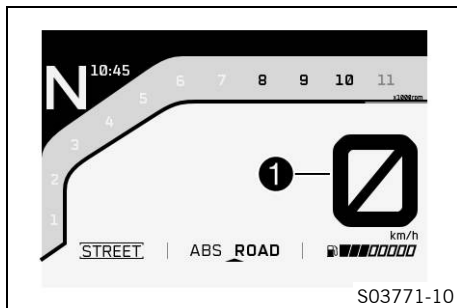
7.15 Cruise control indicator



The operating state and active cruise control are shown in the **1** area of the display.
Cruise control is operated using the [cruise control buttons](#) (p. 33).

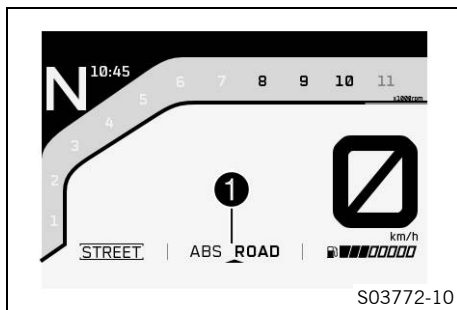
7 COMBINATION INSTRUMENT

7.16 Speed



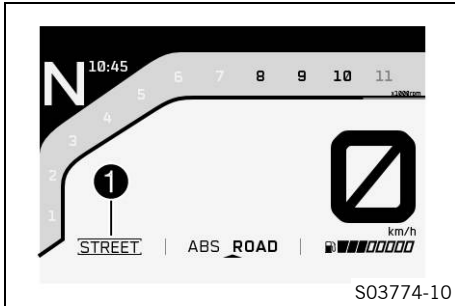
The speed is shown in area **1** of the display.
The unit of speed can be configured in the **Settings** menu under **UNITS**.
Speed is shown in kilometers per hour **km/h** or in miles per hour **mph**.

7.17 ABS Mode display



The ABS mode setting is shown in the **1** area of the display.
In the menu **Motorcycle**, the ABS can be configured under **ABS Mode**.

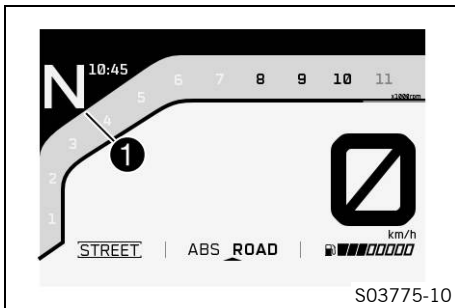
7.18 Ride display



The riding mode (📖 p. 277) setting is shown in area ❶ of the display.

The riding mode can be configured in the menu **Ride Mode**.

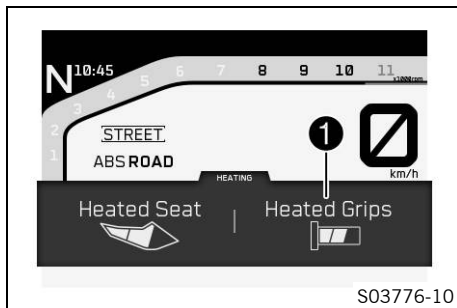
7.19 Gear display



The current gear is shown in area ❶ of the display.

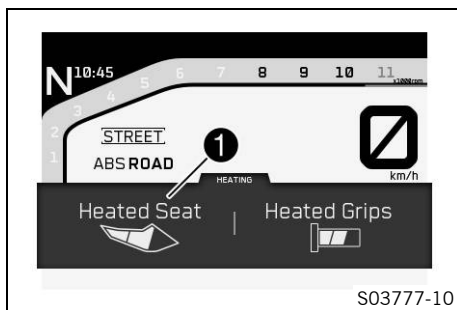
7 COMBINATION INSTRUMENT

7.20 Heated grip (optional)



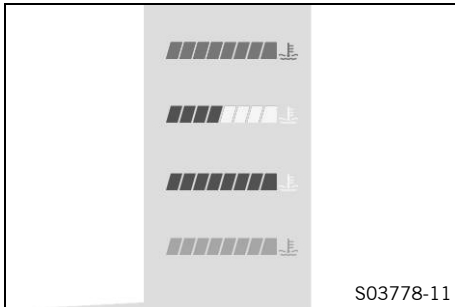
When the heated grip is activated, the **Heated Grip** symbol in area ❶ is displayed in the **HEATING** widget. The heated grip can be configured in the **Motorcycle** menu under **Heated Grips** or in the **HEATING** widget under **Heated Grips**.

7.21 Seat heater (optional)



When the seat heating is activated, the **Heated Seats** symbol in area ❶ is displayed in the **HEATING** widget. The seat heating can be configured in the **Motorcycle** menu under **Heated Seat** or in the **HEATING** widget under **Heated Seat**.

7.22 Coolant temperature indicator



The coolant temperature indicator consists of bars. The more bars that light up, the hotter the coolant.

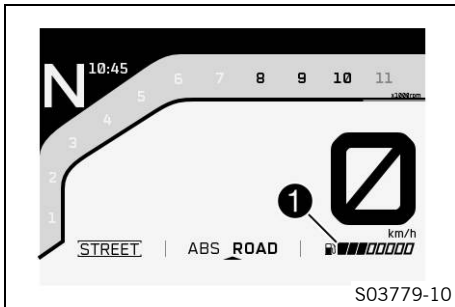
i Info

When all the bars flash, the warning **ENGINE TEMP HIGH** also appears.

Possible states

- The engine is cold – None of the eight bars light up.
- Engine warm – Four bars light up.
- Engine hot – Five to eight bars light up.
- Engine very hot – all eight bars flash red.

7.23 Fuel level display



The fuel tank contents are shown in area **1** of the display. The fuel level indicator consists of bars. The more bars are lit, the more fuel is in the fuel tank.

7 COMBINATION INSTRUMENT



Info

If the fuel level is getting low, a bar flashes red and the following warning **LOW FUEL** also appears.

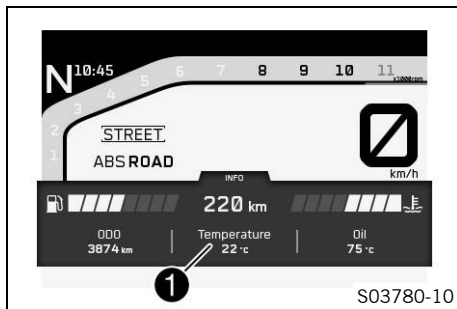
The fuel level is displayed with a slight delay to prevent the indicator from constantly moving while riding.

The fuel level display is not updated while the side stand is folded out or the emergency off switch is switched off.

Once the side stand is folded up and the emergency OFF switch is switched on, the fuel level display is next updated after 2 minutes.

The fuel level display flashes if the combination instrument does not receive a signal from the fuel level sensor.

7.24 Ambient air temperature indicator

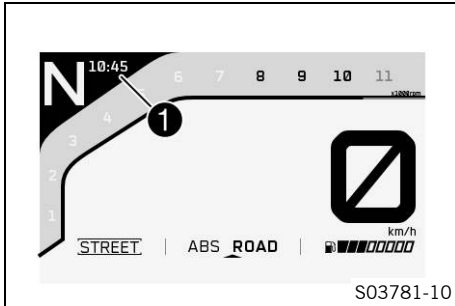


The large **INFO** widget displays the ambient air temperature in area **1**.

The units of the ambient temperature can be configured in the **Settings** menu under **Units**.

The ambient air temperature is displayed in **°C** or **°F**.

7.25 Time

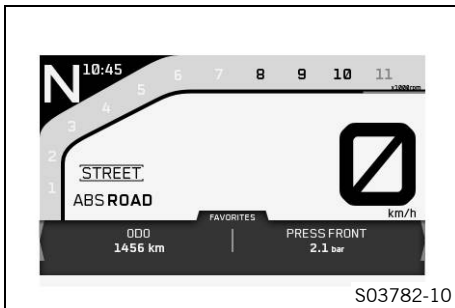


The time is shown in area ❶ of the display.
 The time can be displayed in 24-hour format or 12-hour format in all languages.
 The time can be configured in the **Settings** menu under **Clock/Date**

i **Info**

The time must be set if the power supply has been interrupted.

7.26 Favourites display



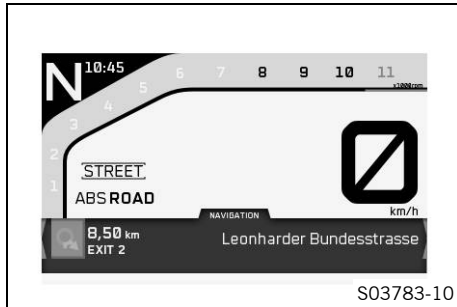
A range of information can be configured in the **FAVORITES** widget. Up to four pieces of information can be configured and displayed in the large **FAVORITES** widget.

i **Info**

The four pieces of information in the large widget are displayed in the small widget.
 Each set of information is displayed on two lines.
 Each set of information can be freely stored to a selected area.

7 COMBINATION INSTRUMENT

7.27 Navigation display (optional)



The direction arrow, the distance to the next waypoint and the street name are displayed in the small **NAVIGATION** widget when the navigation function is activated.

The large **NAVIGATION** widget also displays the arrival time and the distance to the destination. The volume of the navigation can also be adjusted in the large widget.

In the **KTM MY RIDE** menu under **Navigation** you can access information on navigation and adjust the volume.

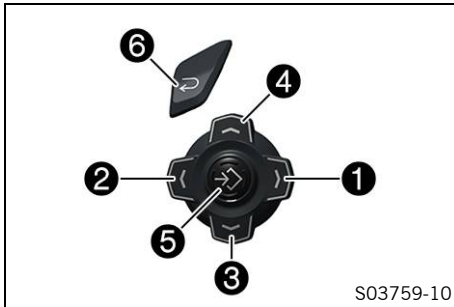


Info

The **Audio** function can be used with the navigation function at the same time.

An incoming call is visualized in a small window at the top of the combination instrument display when the navigation function is active.

7.28 Menu



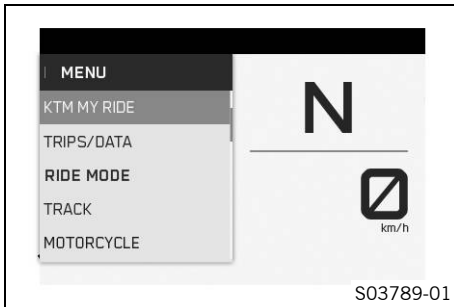
i Info

Press the **RIGHT** button **1** in the start screen to open the menu.

Use the **RIGHT** button **1**, the **LEFT** button **2**, the **DOWN** button **3**, the **UP** button **4** and the **ENTER** button **5** to navigate the menu.

Press the **BACK** button **6** to close the current menu or the menu overview.

7.28.1 KTM MY RIDE (optional)



Condition

- Function **KTM MY RIDE** (optional) activated.
- **Bluetooth®** is activated.
- Press the **RIGHT** button when the menu is closed.
- Press the **UP** or **DOWN** button until **KTM MY RIDE** is marked.
- ✓ Press the **RIGHT** button to open the menu.

In **KTM MY RIDE**, an appropriate cellphone or headset can be paired with the combination instrument via **Bluetooth®** and the navigation function can be configured.

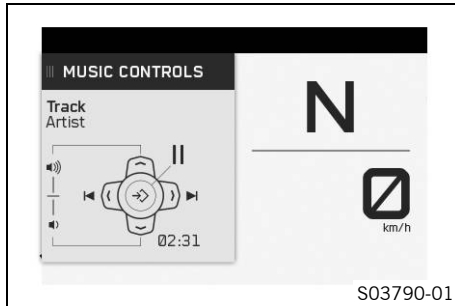


Info

Not every cellphone and headset is suitable for pairing with the combination instrument.

The standard **Bluetooth**® 2.1 must be supported.

7.28.2 Audio (optional)



Condition

- Function **KTM MY RIDE** (optional) activated.
 - Function **Bluetooth**® (optional) activated.
 - The combination instrument is connected to a suitable cellphone.
 - The combination instrument is connected to a suitable **Bluetooth**® headset.
 - The cellphone music player is open.
- Press the **RIGHT** button when the menu is closed.
 - Press the **UP** or **DOWN** button until **KTM MY RIDE** is marked.
 - ✓ Press the **RIGHT** button to open the menu.



Warning

Danger of accidents Headphone volume which is too high distracts attention from traffic activity.

- Always select headphone volume which is low enough for you to still clearly hear acoustic signals.

- Press the **UP** or **DOWN** button until **Audio** is marked.
 - ✓ Press the **RIGHT** button to open the menu.
 - ✓ Press the **UP** button to increase the audio volume.
 - ✓ Press the **DOWN** button to reduce the audio volume.
 - ✓ Press the **RIGHT** button change to the next audio track.
 - ✓ Briefly pressing the **LEFT** button twice changes to the previous audio title or plays the current audio title from the start, depending on the cellphone model.
 - ✓ Press the **ENTER** button to play or pause the audio track.
-



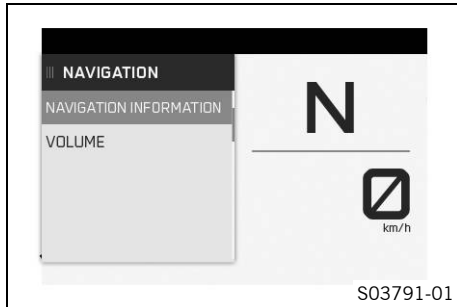
Tip

When using a wired headset, the volume cannot be controlled via the combination instrument.

With some cellphones, the audio player needs to be started before playback is possible.

For easier operation, the **Audio** function can be assigned to the **C1** or **C2** button.

7.28.3 Navigation (optional)



Condition

- Function **KTM MY RIDE** (optional) activated.
 - The **KTM MY RIDE** app (optional) is installed and opened on a suitable cellphone (Android devices Version 6.0 and higher, iOS devices Version 10 and higher).
 - Function **Bluetooth®** (optional) activated.
 - The combination instrument is connected to a suitable cellphone.
 - The GPS function is activated on the connected cellphone.
 - For voice navigation: The combination instrument is connected to a suitable headset and an appropriate language package has been downloaded in the **KTM MY RIDE** app.
- Press the **RIGHT** button when the menu is closed.
 - Press the **UP** or **DOWN** button until **KTM MY RIDE** is marked.
 - ✓ Press the **RIGHT** button to open the menu.
 - Press the **UP** or **DOWN** button until **Navigation** is marked.
 - ✓ Press the **RIGHT** button to confirm the selection.

You can access navigation information and adjust the volume in the menu **Navigation**.

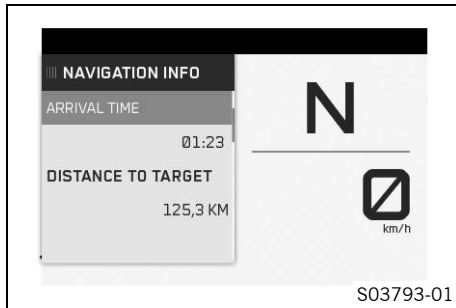
i Info

The route guidance is displayed in the small and large **NAVIGATION** widget.

The **Audio** function can be used with the navigation function at the same time.

An incoming call is visualized in a small window at the top of the combination instrument display when the navigation function is active.

When the navigation function is switched on and the device is connected, the **GPS** symbol appears in the display of the combination instrument.

7.28.4 Navigation information (optional)**Condition**

- Function **KTM MY RIDE** (optional) activated.
- The **KTM MY RIDE** app (optional) is installed and opened on a suitable cellphone (Android devices Version 6.0 and higher, iOS devices Version 10 and higher).
- Function **Bluetooth®** (optional) activated.
- The combination instrument is connected to a suitable cellphone.
- The GPS function is activated on the connected cellphone.
 - Press the **RIGHT** button when the menu is closed.
 - Press the **UP** or **DOWN** button until **KTM MY RIDE** is marked.

7 COMBINATION INSTRUMENT

- ✓ Press the **RIGHT** button to open the menu.
- Press the **UP** or **DOWN** button until **Navigation** is marked.
- ✓ Press the **RIGHT** button to confirm the selection.
- Press the **UP** or **DOWN** button until **Navigation Information** is marked.
- ✓ Press the **RIGHT** button to open the menu.



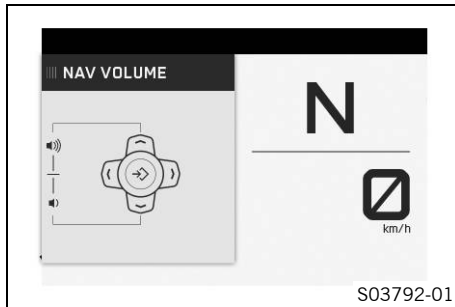
Info

Arrival Time shows the estimated arrival time of the cellphone.

Distance to Target shows the distance to the destination.

Information on the current navigation can be viewed in the **NAVIGATION** widget.

7.28.5 Volume (optional)



Condition

- Function **KTM MY RIDE** (optional) activated.
- The **KTM MY RIDE** app (optional) is installed and opened on a suitable cellphone (Android devices Version 6.0 and higher, iOS devices Version 10 and higher).
- Function **Bluetooth®** (optional) activated.
- The combination instrument is connected to a suitable cellphone.
- The GPS function is activated on the connected cellphone.

- For voice navigation: The combination instrument is connected to a suitable **Bluetooth** headset and an appropriate language package has been downloaded in the **KTM MY RIDE** app.
 - Press the **RIGHT** button when the menu is closed.
 - Press the **UP** or **DOWN** button until **KTM MY RIDE** is marked.
 - ✓ Press the **RIGHT** button to open the menu.
 - Press the **UP** or **DOWN** button until **Navigation** is marked.
 - ✓ Press the **RIGHT** button to confirm the selection.



Warning

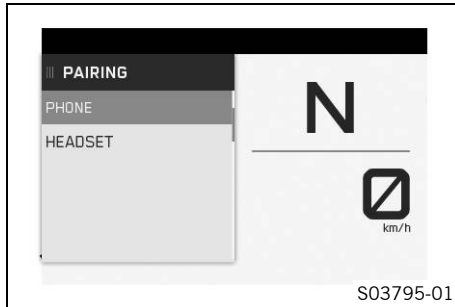
Danger of accidents Headphone volume which is too high distracts attention from traffic activity.

- Always select headphone volume which is low enough for you to still clearly hear acoustic signals.

- Press the **UP** or **DOWN** button until **Volume** is marked.
 - ✓ Press the **RIGHT** button to open the menu.
- Press and hold the **UP** button in order to increase the volume.
- Press and hold the **DOWN** button in order to reduce the volume.

The volume of the navigation can be set in the large **NAVIGATION** widget.

7.28.6 Pairing (optional)



Condition

- The motorcycle is stationary.
- Function **KTM MY RIDE** (optional) activated.
- Function **Bluetooth®** (optional) activated.
- The **Bluetooth®** function should also be activated in the device to be paired.

- Press the **RIGHT** button when the menu is closed.
- Press the **UP** or **DOWN** button until **KTM MY RIDE** is marked.

✓ Press the **RIGHT** button to open the menu.

- Press the **UP** or **DOWN** button until **Pairing** is marked.

✓ Press the **RIGHT** button to open the menu.

- Press the **UP** or **DOWN** button until the desired menu item **Phone** or **Headset** is marked.

A suitable cellphone can be paired with the combination instrument in the **Phone** submenu.

A suitable headset can be paired with the combination instrument in the **Headset** submenu.

✓ Press the **RIGHT** button to confirm the selection.



Info

Two cellphones can never be paired simultaneously with the combination instrument. Only one cellphone and one headset per submenu item can be paired with the combination instrument at the same time. If the headset type is set for a wired headset, no **Bluetooth**® headset can be used.

-
- Press the **UP** or **DOWN** button until **Pairing** is marked.
 - Press the **RIGHT** button to confirm the **Pairing** submenu item.



Info

When pairing the combination instrument to a cellphone: A message appears on the combination instrument indicating that this is now ready for pairing. The pairing is completed successfully by confirming the **Passkey** on the cellphone and on the combination instrument using the **ENTER** button.

When pairing the combination instrument to a headset: The registered trademark of the headset appears on the combination instrument. By pressing the **ENTER** button the device is selected, and confirmed with **Confirm** by pressing the **ENTER** button again. The pairing of a headset with the combination instrument is now completed at this point.



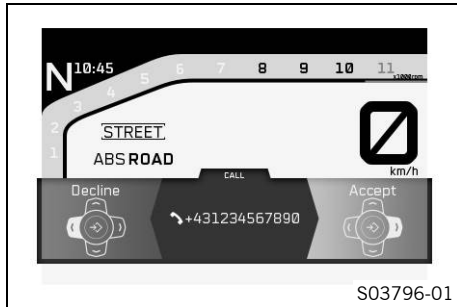
Info

When a suitable device has been successfully paired, the name of the paired cellphone or headset appears in each case in the **Phone** or **Headset** menu.

Not every cellphone or headset is suitable for pairing with the combination instrument.

- If the device is in the range of the combination instrument and has not been deleted previously while the **Bluetooth®** function is active:
 - ✓ The device is automatically paired with the combination instrument.
 - ✗ If the device is not automatically paired with the combination instrument after approx. 30 seconds:
 - Restart combination instrument or **Pairing** repeat procedure.
- To delete a paired device, press the **UP** or button **DOWN** until the paired device is highlighted.
- Open the **delete Pairing** menu by pressing the **RIGHT** button and confirm with the **ENTER** button.

7.28.7 Telephony (optional)

**Condition**

- Function **KTM MY RIDE** (optional) activated.
- Function **Bluetooth®** (optional) activated.
- The combination instrument is connected to a suitable cell-phone.
- The combination instrument is connected to a suitable head-set.

**Warning**

Danger of accidents Headphone volume which is too high distracts attention from traffic activity.

- Always select headphone volume which is low enough for you to still clearly hear acoustic signals.

- Press the **RIGHT** button to accept an incoming call.
- Press the **LEFT** button to reject an incoming call.
- Press and hold the **UP** button in order to increase the volume.
- Press and hold the **DOWN** button in order to reduce the volume.
- Press the **BACK** button briefly to reduce the telephony display.



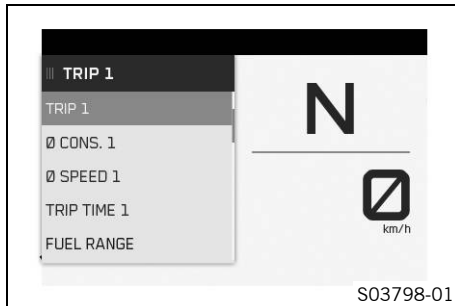
Info

The call duration and contact are displayed. Depending on the cellphone settings, the contact is shown by name.

When the telephony display is activated and reduced in size, a small window is displayed at the top edge of the combination instrument display.

An incoming call is visualized in a small window at the top of the combination instrument display when the navigation function is active.

7.28.8 Trip 1



- Press the **RIGHT** button when the menu is closed.
- Press the **UP** or **DOWN** button until **Trips/Data** is marked.
 - ✓ Press the **RIGHT** button to open the menu.
- Press the **UP** or **DOWN** button until **Trip 1** is marked.
 - ✓ Press the **RIGHT** button to open the menu.

Trip 1 shows the distance since the last reset, such as between two refueling stops. **Trip 1** is running and counts up to **9999**.

ØFuelCons1 indicates the average fuel consumption based on **Trip 1**.

ØSpeed1 indicates the average speed based on **Trip 1** and **Trip Time1**.

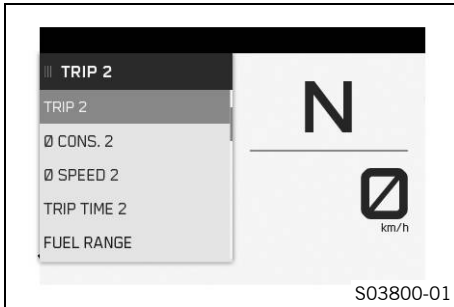
Trip Time1 shows the journey time on the basis of **Trip 1** and runs as soon as a speed signal is received.

Fuel Range indicates the possible distance you can cover with the fuel reserve.

Press and hold the **ENTER** button for 3-5 seconds.

All the entries in the **Trip 1** menu are reset.

7.28.9 Trip 2



- Press the **RIGHT** button when the menu is closed.
- Press the **UP** or **DOWN** button until **Trips/Data** is marked.
 - ✓ Press the **RIGHT** button to open the menu.
- Press the **UP** or **DOWN** button until **Trip 2** is marked.
 - ✓ Press the **RIGHT** button to open the menu.

Trip 2 shows the distance since the last reset, such as between two refueling stops. **Trip 2** is running and counts up to **9999**.

ØFuelCons2 indicates the average fuel consumption based on **Trip 2**.

ØSpeed2 indicates the average speed based on **Trip 2** and **Trip Time2**.

Trip Time2 shows the journey time on the basis of **Trip 2** and runs as soon as a speed signal is received.

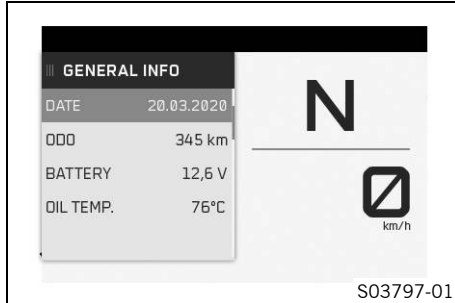
7 COMBINATION INSTRUMENT

Fuel Range indicates the possible distance you can cover with the fuel reserve.

Press and hold the **ENTER** button for 3-5 seconds.

All the entries in the **Trip 2** menu are reset.

7.28.10 General Info



- Press the **RIGHT** button when the menu is closed.
- Press the **UP** or **DOWN** button until **Trips/Data** is marked.
 - ✓ Press the **RIGHT** button to open the menu.
- Press the **UP** or **DOWN** button until **General Info** is marked.
 - ✓ Press the **RIGHT** button to open the menu.

Date shows the date.

ODO shows the total distance covered.

Battery indicates the battery voltage.

Oil Temp indicates the engine oil temperature.

7.28.11 TPMS

**Condition**

- Model with **TPMS**.
- Press the **RIGHT** button when the menu is closed.
- Press the **UP** or **DOWN** button until **Trips/Data** is marked.
- ✓ Press the **RIGHT** button to open the menu.

**Warning**

Danger of accidents The tire pressure monitoring system does not eliminate the necessity to check the tires before going on a ride.

To avoid false alarms, the tire pressure values are evaluated over a period of several minutes.

- Check the tire pressure before every ride.
 - Correct the tire pressure if the tire pressure deviates from the specified value.
 - Even if the tire pressure values are correct, stop the vehicle immediately if its behavior indicates a loss of pressure in the tires.
-
- Press the **UP** or **DOWN** button until **TIRE AIR PRESSURE** is marked.

7 COMBINATION INSTRUMENT

Guideline

Tire pressure when solo	
front: with cold tires	2.5 bar (36 psi)
rear: with cold tires	2.5 bar (36 psi)

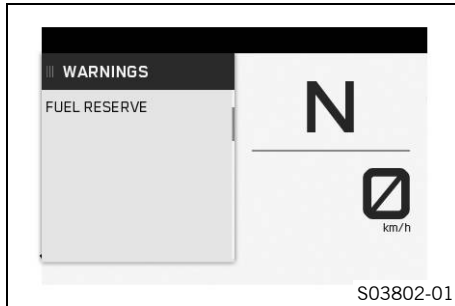
- ✓ Press the **RIGHT** button to open the menu.

The **TIRE AIR PRESSURE** menu displays the tire pressure of the front and rear tires.

PRESS FRONT indicates the tire pressure at the front.

PRESS REAR indicates the tire pressure at the rear.

7.28.12 Warnings

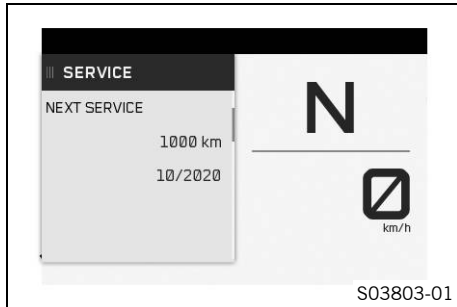


Condition

- Message or warning is present.
 - Press the **RIGHT** button when the menu is closed.
 - Press the **UP** or **DOWN** button until **Trips/Data** is marked.
 - ✓ Press the **RIGHT** button to open the menu.
 - Press the **UP** or **DOWN** button until **Warnings** is marked.
 - ✓ Press the **RIGHT** button to open the menu.
 - Use the **UP** or **DOWN** button to navigate through the warnings.

All the warnings that have occurred are displayed in the **Warnings** menu.

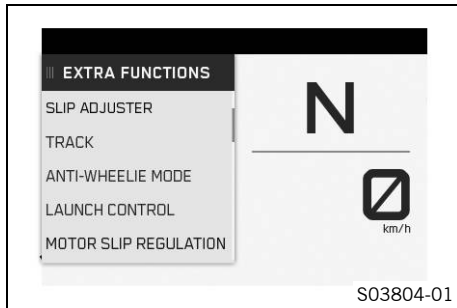
7.28.13 Service



- Press the **RIGHT** button when the menu is closed.
- Press the **UP** or **DOWN** button until **Trips/Data** is marked.
 - ✓ Press the **RIGHT** button to open the menu.
- Press the **UP** or **DOWN** button until **Service** is marked.
 - ✓ Press the **RIGHT** button to open the menu.

The next service due is shown in the **Service** menu.

7.28.14 Extra Functions



- Press the **RIGHT** button when the menu is closed.
- Press the **UP** or **DOWN** button until **Trips/Data** is marked.
 - ✓ Press the **RIGHT** button to open the menu.
- Press the **UP** or **DOWN** button until **Extra Functions** is marked.
 - ✓ Press the **RIGHT** button to open the menu.
- Use the **UP** or **DOWN** button to navigate through the extra functions.

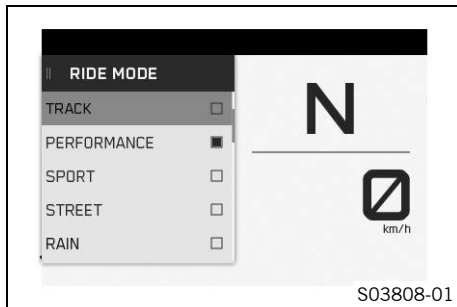
The optional extra functions are listed in **Extra Functions**.



Info

The current **KTM PowerParts** and available software are listed on the KTM website.

7.28.15 Ride Mode



- Press the **RIGHT** button when the menu is closed.
- Press the **UP** or **DOWN** button until the **Ride Mode** menu is marked on the display.
 - ✓ Press **RIGHT** button to open the menu.
- Use the **UP** or **DOWN** button to navigate through the menu.
- Press the **ENTER** button to select engine and motorcycle traction control settings that are coordinated with each other.

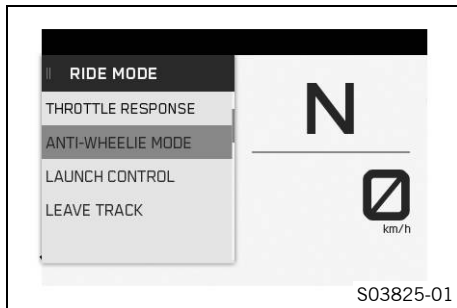
Guideline

Do not open the throttle during the selection.

- ✓ **TRACK** - Optional setting available with homologated performance and extremely direct response. The motorcycle traction control and the characteristic map of the throttle response can be individually set.
- ✓ **PERFORMANCE** - Optional setting available with homologated performance and extremely direct response. The motorcycle traction control and the characteristic map of the throttle response can be individually set. Combines the functions of TRACK mode with standard modes.

- ✓ **SPORT** - Homologated performance with very direct response; the motorcycle traction control allows greater slip on the rear wheel.
- ✓ **STREET** - Homologated performance with balanced response; the motorcycle traction control allows normal slip on the rear wheel.
- ✓ **RAIN** - Reduced homologated performance for better rideability; the motorcycle traction control allows normal slip on the rear wheel.

7.28.16 Track (optional)



Condition

- The drive mode **TRACK** (optional) is activated.
 - Press the **RIGHT** button when the menu is closed.
 - Press the **UP** or **DOWN** button until **TRACK** is marked.
- ✓ Press the **RIGHT** button to open the menu.



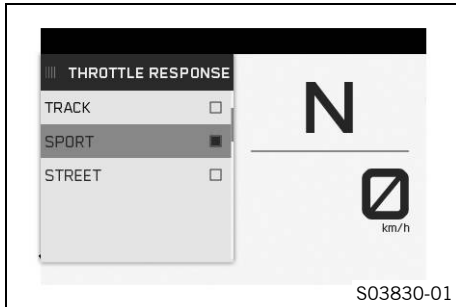
Info

TRACK allows settings to be made for **TRACK** and **PERFORMANCE** mode.

The respective riding mode is ended via **LEAVE TRACK** or **LEAVE PERFORMANCE** when the throttle grip is closed and automatically switched to the driving mode **STREET**.

7 COMBINATION INSTRUMENT

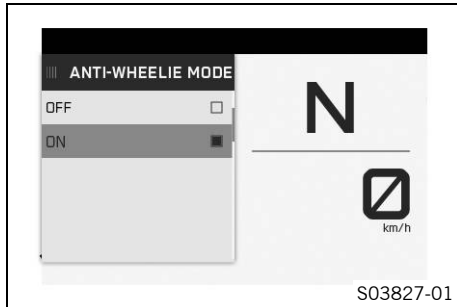
7.28.17 Throttle Response (optional)



Condition

- The riding mode **TRACK** (optional) or **PERFORMANCE** (optional) is activated.
- Cruise control system function deactivated.
 - Press the **RIGHT** button when the menu is closed.
 - Press the **UP** or **DOWN** button until **TRACK** is marked.
 - ✓ Press the **RIGHT** button to open the menu.
 - Press the **UP** or **DOWN** button until **Throttle Response** is marked.
 - ✓ Press the **RIGHT** button to open the menu.
 - Press the **UP** or **DOWN** button until the required mode is marked.
 - Press the **ENTER** button to confirm a mode.
 - ✓ **TRACK**-Homologated performance with extremely direct response.
 - ✓ **SPORT** - Homologated performance with direct response.
 - ✓ **STREET** - Homologated performance with balanced response.
 - Press the **BACK** button to close the **Throttle Response** menu.

7.28.18 Anti Wheelie Mode (optional)

**Condition**

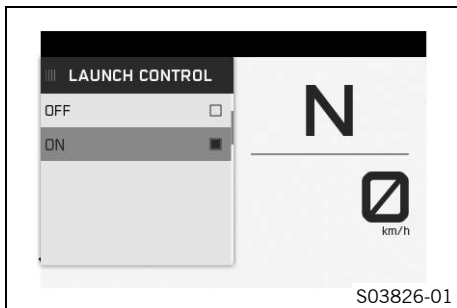
- The riding mode **TRACK** (optional) or **PERFORMANCE** (optional) is activated.
- Press the **RIGHT** button when the menu is closed.
- Press the **UP** or **DOWN** button until **TRACK** is marked.
- ✓ Press the **RIGHT** button to open the menu.
- Press the **UP** or **DOWN** button until **Anti Wheelie Mode** is marked.
- ✓ Press the **RIGHT** button to open the menu.

**Warning**

Danger of accidents When Anti Wheelie Mode is disabled, the motorcycle traction control no longer counteracts the raising of the front wheel.

- Only switch off the Anti Wheelie Mode if you have the appropriate experience.
-
- Press the **UP** or **DOWN** button until **Anti Wheelie Mode** **OFF** or **ON** is marked.
 - Confirm the selection using the **ENTER** button.

7.28.19 Launch Control (optional)



Condition

- The riding mode **TRACK** (optional) or **PERFORMANCE** (optional) is activated.
 - Press the **RIGHT** button when the menu is closed.
 - Press the **UP** or **DOWN** button until **TRACK** is marked.
 - ✓ Press the **RIGHT** button to open the menu.
 - Press the **UP** or **DOWN** button until **Launch Control** is marked.
 - ✓ Press the **RIGHT** button to open the menu.

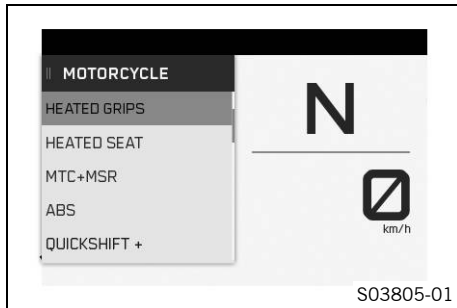


Warning

Danger of accidents Launch control enables very powerful acceleration which may ask too much of a novice rider.

- Only use the launch control if you have the appropriate experience.
 - Do not use launch control on public roads.
-
- Press the **UP** or **DOWN** button until **Launch Control** **OFF** or **ON** is marked.
 - Press the **ENTER** button to confirm the selection.

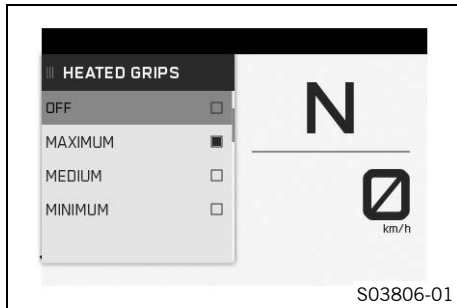
7.28.20 Motorcycle



- Press the **RIGHT** button when the menu is closed.
- Press the **UP** or **DOWN** button until **Motorcycle** is marked.
- ✓ Press the **RIGHT** button to open the menu.

Motorcycle allows settings to be made for ABS, traction control and extra functions.

7.28.21 Heated Grips (optional)



Condition

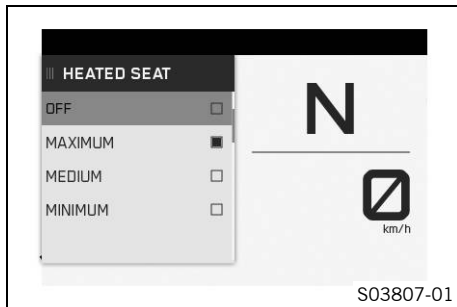
- The **Heated Grips** menu activated.
- Press the **RIGHT** button when the menu is closed.
- Press the **UP** or **DOWN** button until **Motorcycle** is marked.
- ✓ Press the **RIGHT** button to open the menu.
- Press the **UP** or **DOWN** button until **Heated Grips** is marked.
- ✓ Press the **RIGHT** button to open the menu.
- Press the **UP** or **DOWN** button to select the heating level or **OFF**.
- Press the **ENTER** button to confirm the selection.



Info

The heated grip can also be adjusted in the **HEATING** widget.

7.28.22 Heated Seat (optional)



Condition

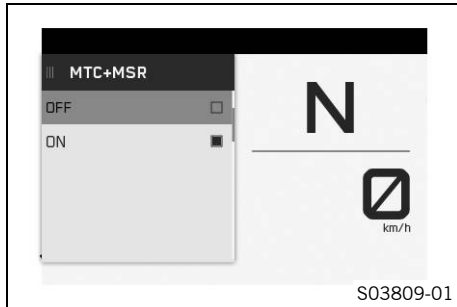
- The **Heated Seat** menu activated.
- Press the **RIGHT** button when the menu is closed.
- Press the **UP** or **DOWN** button until **Motorcycle** is marked.
- ✓ Press the **RIGHT** button to open the menu.
- Press the **UP** or **DOWN** button until **Heated Seat** is marked.
- ✓ Press the **RIGHT** button to open the menu.
- Press the **UP** or **DOWN** button to select the heating level or **OFF**.
- Press the **ENTER** button to confirm the selection.



Info

The seat heating can also be adjusted in the **HEATING** widget.

7.28.23 MTC+MSR (optional)

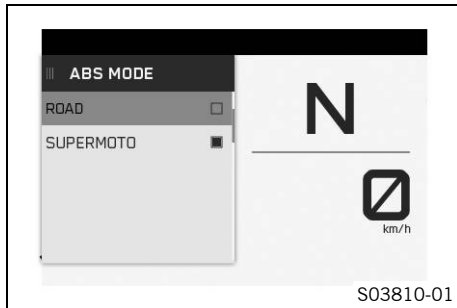
**Condition**

- Cruise control system function deactivated.
 - Press the **RIGHT** button when the menu is closed.
 - Press the **UP** or **DOWN** button until **Motorcycle** is marked.
 - ✓ Press the **RIGHT** button to open the menu.
 - Press the **UP** or **DOWN** button until **MTC+MSR** is marked.
 - ✓ Press the **RIGHT** button to open the menu.
 - Press the **UP** or **DOWN** button until **MTC+MSROFF** or **ON** is marked.
 - Press the **ENTER** button to confirm the selection.

**Info**

When riding mode **Track** or ABS mode **Supermoto** is active, the **MSR** is not active. After the ignition is switched on, the motorcycle traction control and engine traction torque control are enabled again.

7.28.24 ABS



Condition

- The motorcycle is stationary.
- Press the **RIGHT** button when the menu is closed.
- Press the **UP** or **DOWN** button until **Motorcycle** is marked.
- ✓ Press the **RIGHT** button to open the menu.
- Press the **UP** or **DOWN** button until **ABS** is marked.
- ✓ Press the **RIGHT** button to open the menu.
- Press the **UP** or **DOWN** button to select the desired **ABS** mode.
- Press the **ENTER** button to confirm the selection.



Info

When the ABS mode **Road** is active, ABS controls both wheels.

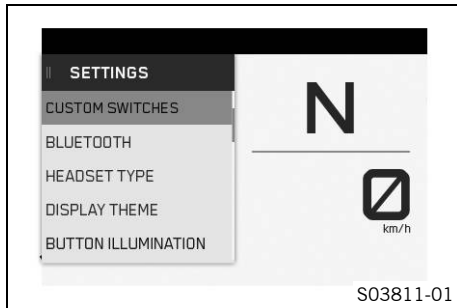
If the ABS mode **Supermoto** is active, the ABS only controls the front wheel and the **MSR** is not active. The rear wheel is not controlled by ABS and may lock during braking maneuvers.

7.28.25 Quickshifter + (optional)



- Press the **RIGHT** button when the menu is closed.
- Press the **UP** or **DOWN** button until **Motorcycle** is marked.
 - ✓ Press the **RIGHT** button to open the menu.
- Press the **UP** or **DOWN** button until **Quickshifter +** is marked.
 - ✓ Press the **RIGHT** button to open the menu.
- Press the **UP** or **DOWN** button until **Quickshifter +OFF** or **ON** is marked.
- Press the **ENTER** button to confirm the selection.

7.28.26 Settings

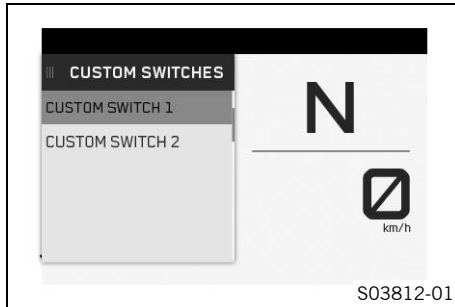


Condition

- The motorcycle is stationary.
- Press the **RIGHT** button when the menu is closed.
- Press the **UP** or **DOWN** button until **Settings** is marked.
 - ✓ Press the **RIGHT** button to open the menu.

The combination instrument display can be configured in **Settings**. Settings can be made for units or various values. Several functions can be enabled or disabled.

7.28.27 C1 and C2 buttons



Condition

- The motorcycle is stationary.
- Press the **RIGHT** button when the menu is closed.
- Press the **UP** or **DOWN** button until **Settings** is marked. Press the **RIGHT** button to open the menu.
- Press the **UP** or **DOWN** button until **Custom Switch 1** or **Custom Switch 2** is marked.
- ✓ Press the **RIGHT** button to open the menu.
- Press the **UP** or **DOWN** button to select the desired button and press the **ENTER** button to confirm.



Info

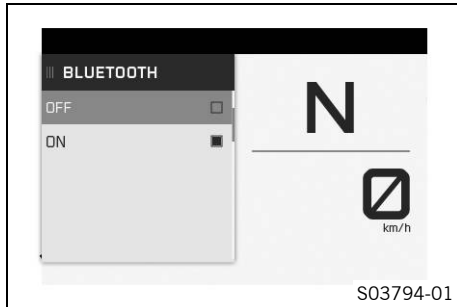
In the menu **Custom Switches**, the C1 and C2 buttons can be assigned different quick accesses, e.g.

ABS and **MTC+MSR**.

The **C1** switch is used to access the menu defined in **Custom Switch 1**.

The **C2** switch is used to access the menu defined in **Custom Switch 2**.

7.28.28 Bluetooth (optional)

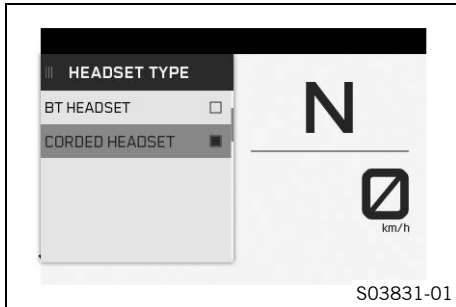
**Condition**

- The motorcycle is stationary.
- Press the **RIGHT** button when the menu is closed.
- Press the **UP** or **DOWN** button until **Settings** is marked.
- ✓ Press the **RIGHT** button to open the menu.
- Press the **UP** or **DOWN** button until **Bluetooth®** is marked.
- ✓ Press the **RIGHT** button to open the menu.
- Press the **UP** or **DOWN** button until **Bluetooth®OFF** or **ON** is marked.
- Press the **ENTER** button to confirm the selection.

i **Info**

The **Bluetooth®** function can only be used in conjunction with **KTM MY RIDE** (optional). When the **Bluetooth®** function is switched on, cellphone and helmet symbols appear in the **KTM MY RIDE** widget. As soon as there is a connection between the cellphone and or a headset, the symbols are displayed filled in. The signal strength and the battery status of the cellphone are also displayed. Not every cellphone and headset is suitable for pairing with the combination instrument.

7.28.29 Headset Type

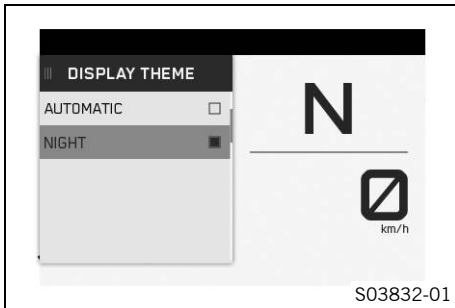


- Press the **RIGHT** button when the menu is closed.
- Press the **UP** or **DOWN** button until **Settings** is marked.
 - ✓ Press the **RIGHT** button to open the menu.
- Press the **UP** or **DOWN** button until **Headset Type** is marked.
 - ✓ Press the **RIGHT** button to open the menu.
- Press the **UP** or **DOWN** button until **BT HEADSET** or **CORDED HEADSET** is marked.
- Press the **ENTER** button to confirm the selection.

i Info

In the **Headset Type** menu, you can configure whether a **Bluetooth®** headset or a wired headset is used. With a wired headset, the volume cannot be controlled via the combination instrument.

7.28.30 Display Theme



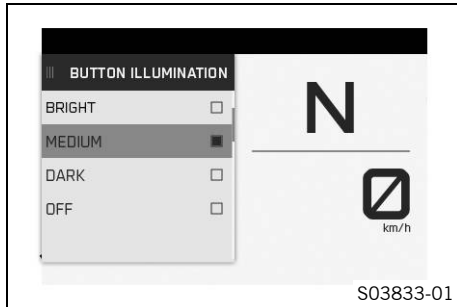
- Press the **RIGHT** button when the menu is closed.
- Press the **UP** or **DOWN** button until **Settings** is marked.
- ✓ Press the **RIGHT** button to open the menu.
- Press the **UP** or **DOWN** button until **Display Theme** is marked.
- ✓ Press the **RIGHT** button to open the menu.
- Press the **UP** or **DOWN** button until **AUTOMATIC** or **NIGHT** is marked.
- Press the **ENTER** button to confirm the selection.

**Info**

In **AUTOMATIC** mode, the combination instrument automatically switches to day or night mode depending on the brightness.

In **NIGHT** mode, the combination instrument remains permanently in night mode.

7.28.31 Button Illumination



- Press the **RIGHT** button when the menu is closed.
- Press the **UP** or **DOWN** button until **Settings** is marked.
 - ✓ Press the **RIGHT** button to open the menu.
- Press the **UP** or **DOWN** button until **Button Illumination** is marked.
 - ✓ Press the **RIGHT** button to open the menu.
- Press the **UP** or **DOWN** button until the desired menu item **BRIGHT, MEDIUM, DARK, or OFF** is marked.
- Press the **ENTER** button to confirm the selection.



Info

The brightness of the button lighting can be configured in the **Button Illumination** menu.

7.28.32 Shift Light

**Condition**

- The motorcycle is stationary.
- **ODO** > 1,000 km (621 mi).
- Press the **RIGHT** button when the menu is closed.
- Press the **UP** or **DOWN** button until **Settings** is marked. Press the **RIGHT** button to open the menu.
- Press the **UP** or **DOWN** button until **Shift Light** is marked.
- ✓ Press the **RIGHT** button to open the menu.
- Press the **UP** or **DOWN** button to select the desired menu subitems.
- ✓ Press the **RIGHT** button to open the menu.
- Press the **UP** or **DOWN** button to adjust the value for **RPM1** and **RPM2** and press the **ENTER** button to confirm.

**Info**

If the engine speed does not reach **RPM1**, the first value set, the engine speed display flashes slowly.
If the engine speed does not reach **RPM2**, the second value set, the engine speed display flashes quickly.

- Switch the shift warning light off or on using the menu subitems **OFF** or **ON**.

7.28.33 Daytime Runn. Light



Condition

- The motorcycle is stationary.
- Press the **RIGHT** button when the menu is closed.
- Press the **UP** or **DOWN** button until **Settings** is marked.
- ✓ Press the **RIGHT** button to open the menu.



Warning

Danger of accidents When visibility is poor, the daytime running light is not a substitute for the low beam. Automatic switching between the daytime running light and low beam may only be partially available when visibility is significantly impaired due to fog, snow or rain.

- Ensure that the appropriate type of lighting is always selected.
- If necessary switch off the daytime running lights using the menu before going on a ride or when stopped so that the low beam is switched on permanently.
- Note the legal regulations regarding the daytime running light.

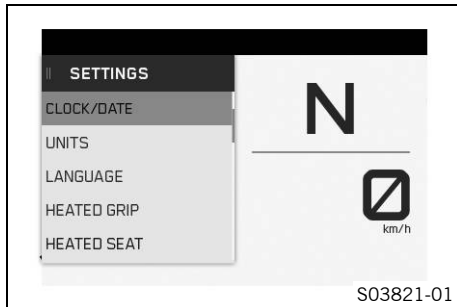
- Press the **UP** or **DOWN** button until **Daytime Runn. Light** is marked.
- ✓ Press the **RIGHT** button to open the menu.
- Press the **UP** or **DOWN** button until **Daytime Runn. LightOFF** or **ON** is marked.
- Press the **ENTER** button to switch the daytime running light on or off.

7.28.34 Setting the time and date

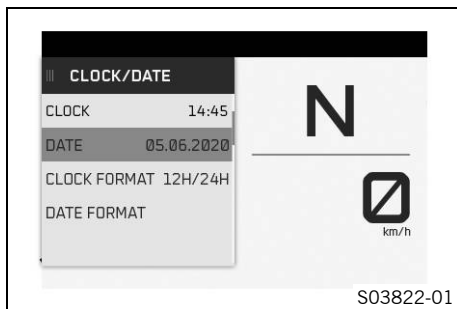
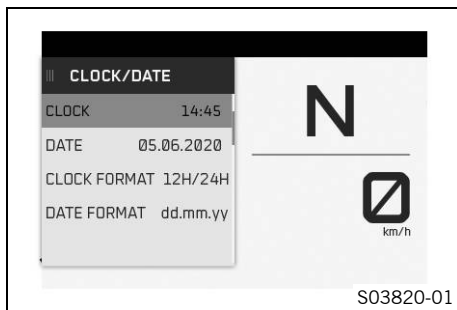
Condition

The motorcycle is stationary.

- Press **RIGHT** button when the menu is closed.
- Press the **UP** or **DOWN** button until **Settings** is marked.
- ✓ Press the **RIGHT** button to open the menu.
- Press the **UP** or **DOWN** button until **Clock/Date** is marked.
- ✓ Press the **RIGHT** button to open the menu.



7 COMBINATION INSTRUMENT



Setting the clock

- Press the **UP** or **DOWN** button until the time is marked.
- Press the **ENTER** button.
 - ✓ The hour next to **Clock** flashes.
- Press the **UP** or **DOWN** button until the current hour is set.
- Press the **RIGHT** button.
 - ✓ The minute next to **Clock** flashes.
- Press the **UP** or **DOWN** button until the current minute is set.
- Press the **ENTER** button.
 - ✓ The time is stored.

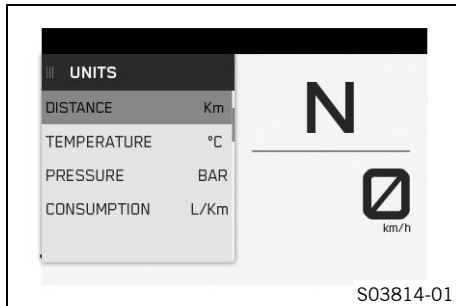
Setting the date

- Press the **UP** or **DOWN** button until the date is marked.
- Press the **ENTER** button.
 - ✓ The day next to **Date** flashes.
- Press the **UP** or **DOWN** button until the current day is set.
- Press the **RIGHT** button.
 - ✓ The month next to **Date** flashes.
- Press the **UP** or **DOWN** button until the current month is set.
- Press the **RIGHT** button.
 - ✓ The year next to **Date** flashes.
- Press the **UP** or **DOWN** button until the current year is set.

- Press the **ENTER** button.
- ✓ The date is stored.



7.29 Units



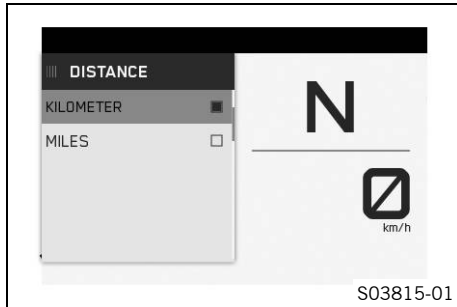
Condition

- The vehicle is stationary.
- Press the **RIGHT** button when the menu is closed.
- Press the **UP** or **DOWN** button until **Settings** is marked.
- ✓ Press the **RIGHT** button to open the menu.
- Press the **UP** or **DOWN** button until **Units** is marked.
- ✓ Press the **RIGHT** button to open the menu.

Units allows settings to be made for units or various values.

7 COMBINATION INSTRUMENT

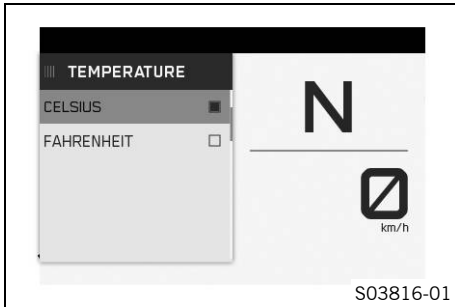
7.30 Distance



Condition

- The motorcycle is stationary.
- Press the **RIGHT** button when the menu is closed.
- Press the **UP** or **DOWN** button until **Settings** is marked.
- ✓ Press the **RIGHT** button to open the menu.
- Press the **UP** or **DOWN** button until **Units** is marked.
- ✓ Press the **RIGHT** button to open the menu.
- Press the **UP** or **DOWN** button until **Distance** is marked.
- ✓ Press the **RIGHT** button to open the menu.
- Activate the menu item using the **UP** or **DOWN** button.
- Press the **ENTER** button to confirm the desired unit.

7.31 Temperature



Condition

- The motorcycle is stationary.
 - Press the **RIGHT** button when the menu is closed.
 - Press the **UP** or **DOWN** button until **Settings** is marked.
 - ✓ Press the **RIGHT** button to open the menu.
 - Press the **UP** or **DOWN** button until **Units** is marked.
 - ✓ Press the **RIGHT** button to open the menu.
 - Press the **UP** or **DOWN** button until **Temperature** is marked.
 - ✓ Press the **RIGHT** button to open the menu.
 - Activate the menu item using the **UP** or **DOWN** button.
 - Press the **ENTER** button to confirm the desired unit.

7 COMBINATION INSTRUMENT

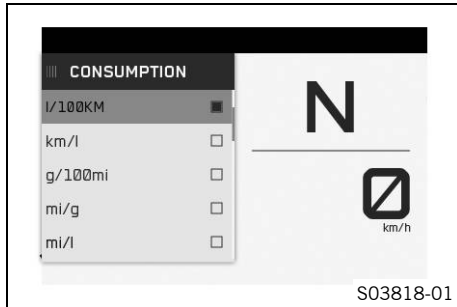
7.32 Pressure



Condition

- The motorcycle is stationary.
- Press the **RIGHT** button when the menu is closed.
- Press the **UP** or **DOWN** button until **Settings** is marked.
 - ✓ Press the **RIGHT** button to open the menu.
- Press the **UP** or **DOWN** button until **Units** is marked.
 - ✓ Press the **RIGHT** button to open the menu.
- Press **UP** or **DOWN** button until **Pressure** is marked.
 - ✓ Press the **RIGHT** button to open the menu.
- Activate the menu item using the **UP** or **DOWN** button.
- Press the **ENTER** button to confirm the desired unit.

7.33 Consumption

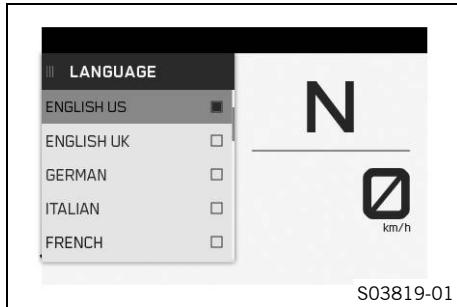


Condition

- The motorcycle is stationary.
 - Press the **RIGHT** button when the menu is closed.
 - Press the **UP** or **DOWN** button until **Settings** is marked.
 - ✓ Press the **RIGHT** button to open the menu.
 - Press the **UP** or **DOWN** button until **Units** is marked.
 - ✓ Press the **RIGHT** button to open the menu.
 - Press **UP** or **DOWN** button until **Consumption** is marked.
 - ✓ Press the **RIGHT** button to open the menu.
 - Activate the menu item using the **UP** or **DOWN** button.
 - Press the **ENTER** button to confirm the desired unit.

7 COMBINATION INSTRUMENT

7.34 Language

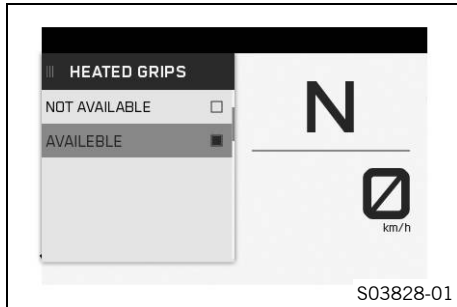


Condition

- The motorcycle is stationary.
- Press the **RIGHT** button when the menu is closed.
- Press the **UP** or **DOWN** button until **Settings** is marked.
 - ✓ Press the **RIGHT** button to open the menu.
- Press the **UP** or **DOWN** button until **Units** is marked.
 - ✓ Press the **RIGHT** button to open the menu.
- Press the **UP** or **DOWN** button until **Language** is marked.
 - ✓ Press the **RIGHT** button to open the menu.
- Activate the menu item using the **UP** or **DOWN** button.
- Press the **ENTER** button to confirm the desired language.

The menu languages are US English, UK English, German, Italian, French, and Spanish.

7.35 Heated Grips (optional)

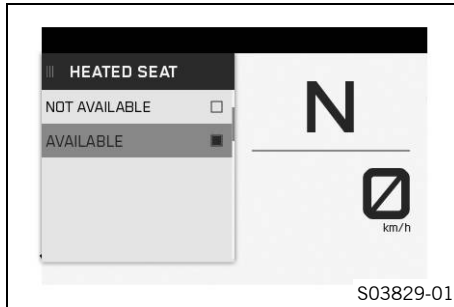
**Condition**

- The motorcycle is stationary.
 - Press the **RIGHT** button when the menu is closed.
 - Press the **UP** or **DOWN** button until **Settings** is marked.
 - ✓ Press the **RIGHT** button to open the menu.
 - Press the **UP** or **DOWN** button until **Heated Grips** is marked.
 - ✓ Press the **RIGHT** button to open the menu.
 - Press the **UP** or **DOWN** button until **NOT AVAILABLE** or **AVAILABLE** is marked.
 - Press the **ENTER** button to confirm the selection.

**Info**

The heated grip is activated or deactivated in the **Settings** menu. The heated grip is controlled in the **Motorcycle** menu, in submenu **Heated Grips** or in the **HEATING** widget.

7.36 Heated Seat (optional)



Condition

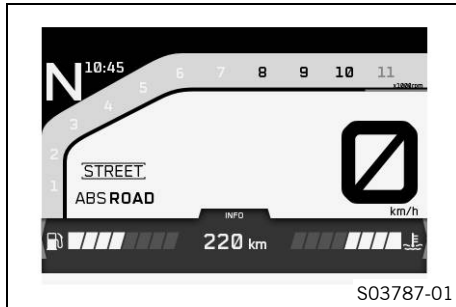
- The motorcycle is stationary.
- Press the **RIGHT** button when the menu is closed.
- Press the **UP** or **DOWN** button until **Settings** is marked.
- ✓ Press the **RIGHT** button to open the menu.
- Press the **UP** or **DOWN** button until **Heated Seat** is marked.
- ✓ Press the **RIGHT** button to open the menu.
- Press the **UP** or **DOWN** button until **Heated Seat** **NOT AVAILABLE** or **AVAILABLE** is marked.
- Press the **ENTER** button to confirm the selection.



Info

The seat heating is activated or deactivated in the **Settings** menu. The seat heating is controlled in the **Motorcycle** menu, in **Heated Seat** submenu or in the widget **HEATING**.

7.37 Small widget



- Press the **UP** button once when the menu is closed.
- Use the **LEFT** or **RIGHT** button to change between the information displays.

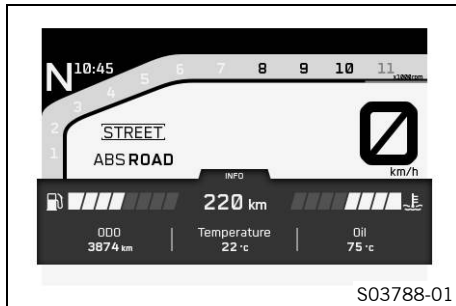


Info

In the small widget you can switch between the individual widgets.

All widgets dependent on optional menus and functions are only available if the corresponding option is installed in the vehicle.

7.38 Large widget



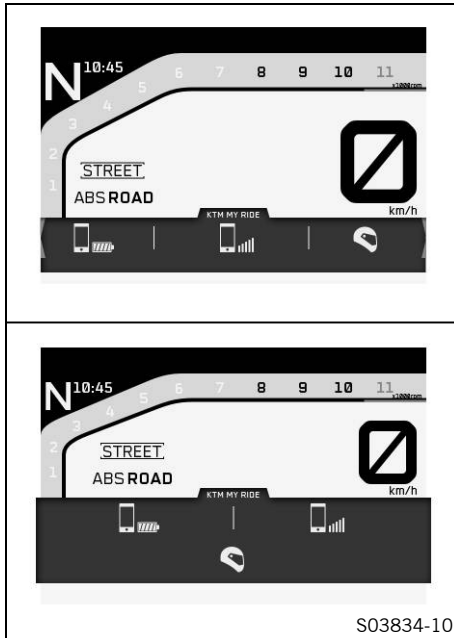
- Press the **UP** button twice when the menu is closed.
- ✓ The widget is large and displays all the information of the respective information display.



Info

All widgets dependent on optional menus and functions are only available if the corresponding option is installed in the vehicle.

7.39 KTM MY RIDE widget



- Press the **UP** button once when the menu is closed.
- Use the **LEFT** or **RIGHT** button to switch between the information displays until the **KTM MY RIDE** widget is displayed.
- Press the **ENTER** button to open the large widget.

The **KTM MY RIDE** widget displays various status information on the cellphone battery status, cellphone reception and the **Bluetooth®** connection to the headset.



Info

When the symbols are filled in, there is a connection between the combination instrument and the terminal device.
When the symbols are not filled in, there is no connection between the combination instrument and the terminal device.

7.40 NAVIGATION widget

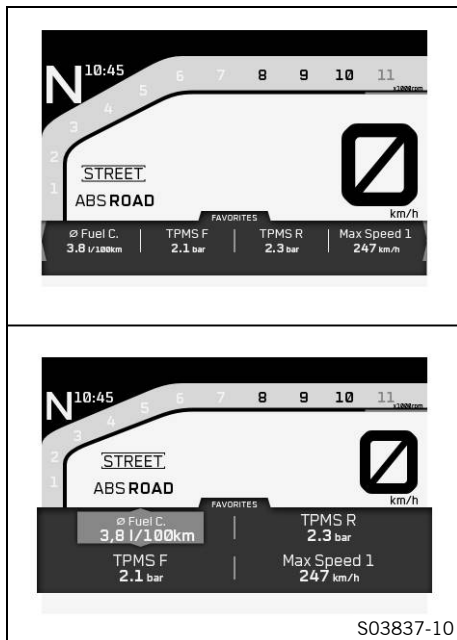


- Press the **UP** button once when the menu is closed.
- Use the **LEFT** or **RIGHT** button to switch between the information displays until the **NAVIGATION** widget is displayed.
- Press the **ENTER** button to open the large widget.

**Info**

The **NAVIGATION** widget is only available if the navigation app is active and the **TRACK** mode is deactivated. The large **NAVIGATION** widget shows the direction arrow, the distance to the next waypoint, the road name, the arrival time and the distance to the destination. The volume of the navigation can be controlled with the **UP** or **DOWN** button.

7.41 FAVORITES widget



- Press the **UP** button once when the menu is closed.
- Use the **LEFT** or **RIGHT** button to change between the information displays until the **FAVORITES** widget is displayed.
- Press the **ENTER** button to open the large widget.



Info

In the large **FAVORITES** widget, up to four areas with different information types can be configured.

- Use the **LEFT** or **RIGHT** button to change between the individual areas until the desired area is highlighted.
- Press the **UP** or **DOWN** button to select the desired information type.



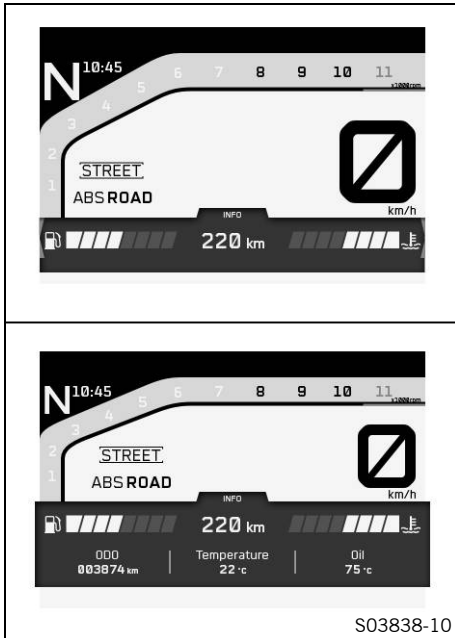
Info

The selection is accepted after a few seconds.
An area can be added using the selection item **Item Add**.

An area can be removed using the selection item **Item Add**.

Up to four areas can be selected and configured.
The areas one to four are also the information displays in the small **FAVORITES** widget.

7.42 Widget INFO



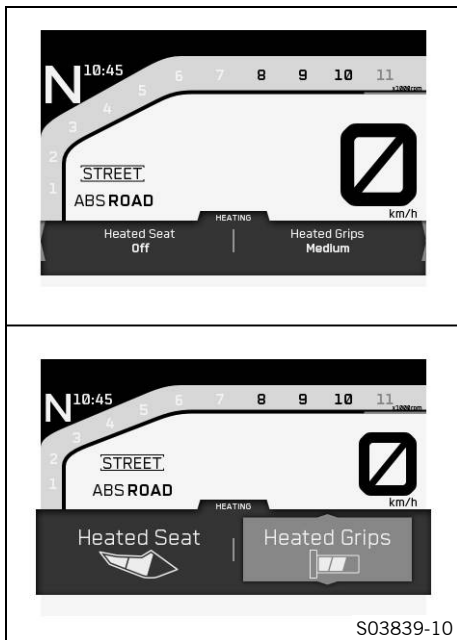
- Press the **UP** button once when the menu is closed.
- Use the **LEFT** or **RIGHT** button to change between the information displays until the **INFO** widget is displayed.
- Press the **ENTER** button to open the large widget.

**Info**

The small **INFO** widget displays the fuel level indicator, the coolant temperature indicator and the remaining range.

The large **INFO** widget also displays the total mileage, the ambient air temperature and the oil temperature.

7.43 HEATING widget



- Press the **UP** button once when the menu is closed.
- Use the **LEFT** or **RIGHT** button to switch between the information displays until the widget **HEATING** is displayed.
- Press the **ENTER** button to open the large widget.
- Press the **LEFT** or **RIGHT** button to select the heating level or the heated grip.
- Press the **UP** or **DOWN** button to select the desired heating intensity.

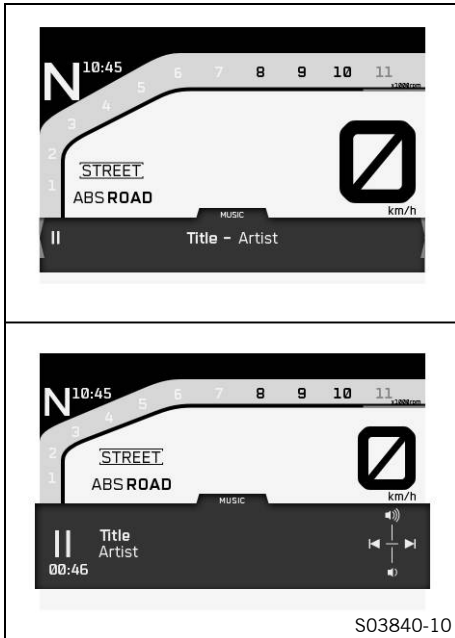
i Info

The **HEATING** widget is only available if it has been activated in the menu **SETTINGS**.

A selection can be made between heating intensities **OFF**, **MAX**, **MED** or **MIN**.

The heating intensity is displayed in bars in the large widget. The more bars displayed, the higher the heating intensity.

7.44 MUSIC widget



S03840-10

- Press the **UP** button once when the menu is closed.
- Use the **LEFT** or **RIGHT** button to change between the information displays until the **MUSIC** widget is displayed.

**Warning**

Danger of accidents Headphone volume which is too high distracts attention from traffic activity.

- Always select headphone volume which is low enough for you to still clearly hear acoustic signals.
-
- Press the **ENTER** button to open the large widget.
 - Press the **UP** button to increase the volume.
 - Press the **DOWN** button to reduce the volume.
 - Press the **RIGHT** button briefly to change to the next audio track.
 - Depending on the cellphone model, press the **LEFT** button briefly or twice to change to the previous audio track or to play the current audio track from the start.
 - Press the **ENTER** button to change between playback and pause.

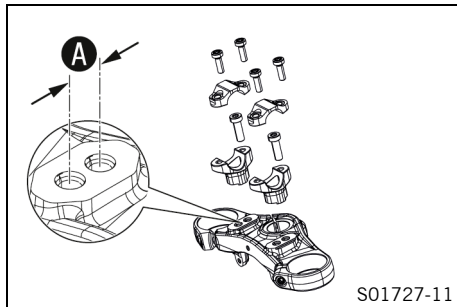


Tip

The **MUSIC** widget is only available if a cellphone and a headset are connected via **Bluetooth®** with the motorcycle.

With some cellphones, the cellphone's audio player needs to be started before playback is possible. For easier operation, the **MUSIC** function can be added to the **C1** or **C2** switch.

8.1 Handlebar position



On the upper triple clamp there are two holes at a distance of **A** apart.

Hole distance A	15 mm (0.59 in)
------------------------	-----------------

The handlebar can be mounted in two different positions. In this way, the handlebar can be mounted in the most comfortable position for the rider.



Info

KTM recommends the front handlebar position when using the vehicle on a race track.

8.2 Adjusting the handlebar position ↩

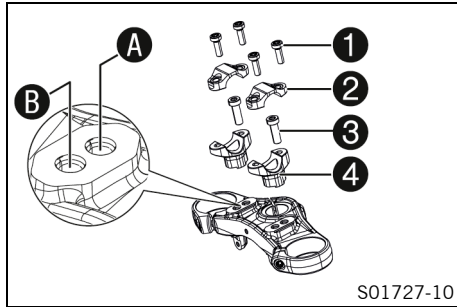


Warning

Danger of accidents A repaired handlebar poses a safety risk.

If the handlebar is bent or straightened, the material becomes fatigued. The handlebar may break as a result.

- Change the handlebar if the handlebar is damaged or bent.



- Remove screws **1**. Take off the handlebar clamps **2**. Position the handlebar so that screws **3** are accessible.



Info

Cover the components to protect them against damage. Do not kink the cables and lines.

- Remove screws **3**. Take off handlebar supports **4**.
- Move the handlebar supports into the desired position **A** or **B**. Mount and tighten screws **3**.

Guideline

Mount the left and right handlebar supports in the same position.

Screw, handlebar support	M10	40 Nm (29.5 lbf ft) Loctite®243™
--------------------------	-----	--

- Position the handlebar.



Info

Make sure the cables and wiring are positioned correctly.

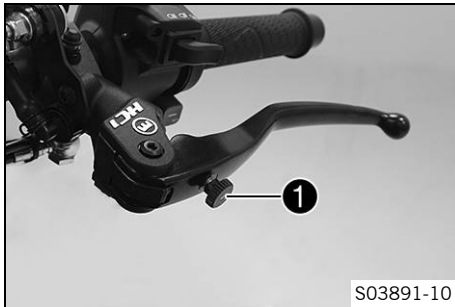
- Position the handlebar clamp. Mount screws **1** and tighten evenly.

Guideline

Screw, handlebar clamp	M8	20 Nm (14.8 lbf ft)
------------------------	----	---------------------



8.3 Adjusting the basic position of the clutch lever



- Push the clutch lever forward.
- Adjust the basic position of the clutch lever to your hand size by turning adjusting screw ①.



Info

Turn the adjusting screw clockwise to increase the distance between the clutch lever and the handlebar. Turn the adjusting screw counterclockwise to decrease the distance between the clutch lever and the handlebar.

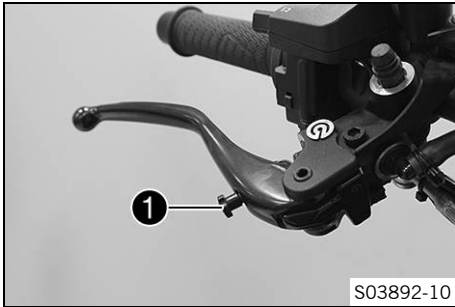
The range of adjustment is limited.

Only turn the adjusting screw by hand, and do not use force.

Do not make any adjustments while riding.



8.4 Adjusting the basic position of the hand brake lever



- Push the hand brake lever forward.
- Adjust the basic position of the hand brake lever to your hand size by turning adjusting screw ①.

i Info

Turn the adjusting screw clockwise to increase the distance between the hand brake lever and the handlebar.

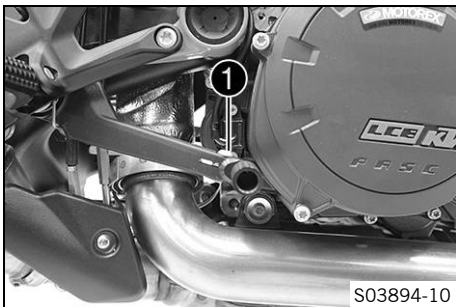
Turn the adjusting screw counterclockwise to decrease the distance between the hand brake lever and the handlebar.

The range of adjustment is limited.

Only turn the adjusting screw by hand, and do not use force.

Do not make any adjustments while riding.

8.5 Setting the step plate of the foot brake lever



- Loosen screw ①.
- Turn the step plate of the foot brake lever to the desired position.

Guideline

Standard	Step plate positioned to the front
----------	------------------------------------



Info

The step plate of the foot brake lever can be freely rotated through 360 °. The basic position of the foot brake lever is set at the factory and does not need to be changed.

- Tighten screw ①.

Guideline

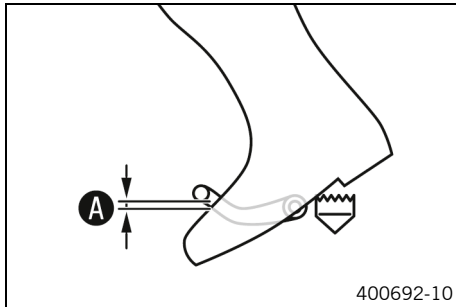
Screw, step plate for foot brake lever	M6	10 Nm (7.4 lbf ft)
--	----	--------------------



8.6 Checking the basic position of the shift lever

i Info

When driving, the shift lever must not touch the rider's boot when in the basic position. If the shift lever is permanently touching the boot, the transmission will be subject to excessive load; this can cause a malfunction of the quickshifter.

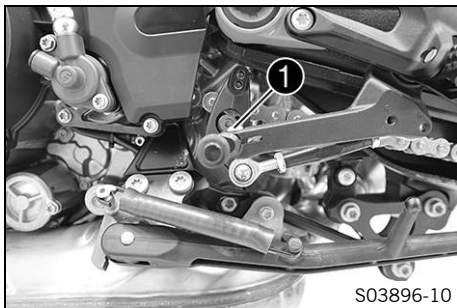


- Sit on the vehicle in the riding position and determine distance **A** between the upper edge of your boot and the shift lever.

Distance between shift lever and upper edge of boot	10 ... 20 mm (0.39 ... 0.79 in)
---	---------------------------------

- » If the distance does not meet specifications:
 - Set the shift lever stub. (📖 p. 139)

8.7 Setting the shift lever stub



- Loosen screw ①.
- Turn the shift lever stub to the desired position.

Guideline

Standard	Step plate positioned to the front
----------	------------------------------------



Info

The shift lever stub can be freely rotated through 360 °.

The shift lever stub is set at the factory and does not need to be changed.

- Tighten the screw.

Guideline

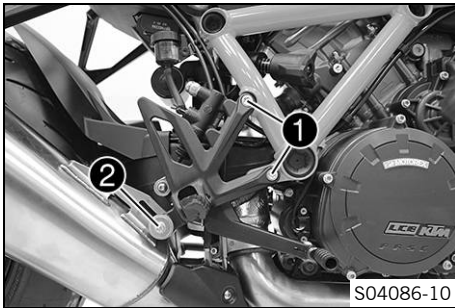
Screw, shift lever stub	M6	10 Nm (7.4 lbf ft)
-------------------------	----	--------------------



8.8 Adjusting the footrests ↴

i Info

The adjustable footrest support allows a more comfortable lower footrest position (normal switching scheme) or a sporty upper footrest position (reverse switching scheme). The footrest support position and switching scheme can only be changed together.

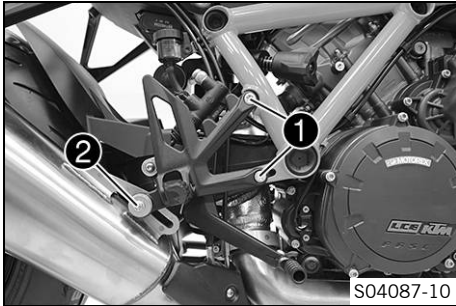


- Remove screws **1** on the right footrest support.

i Info

Pay attention to the nut when removing the lower footrest support bolt.

- Loosen screw **2**.



- Position the footrest bracket.
- Mount and tighten screws **1**.

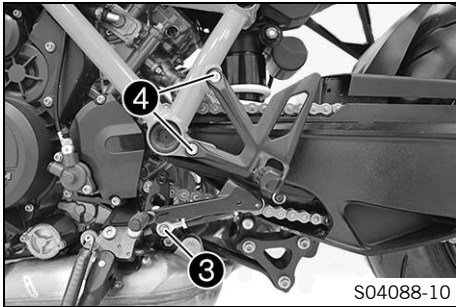
Guideline

Screw, front rider footrest bracket	M8	25 Nm (18.4 lbf ft) Loctite®243™
-------------------------------------	----	--

- Tighten screw **2**.

Guideline

Remaining screws, chassis	M8	25 Nm (18.4 lbf ft)
---------------------------	----	---------------------



- Remove screw **3** of the shift linkage.
- Remove screws **4** on the left footrest support and take off the footrest support.



Info

Pay attention to the nut when removing the lower footrest support bolt.



- Separate the shift linkage from the shift lever and mount in position "R".

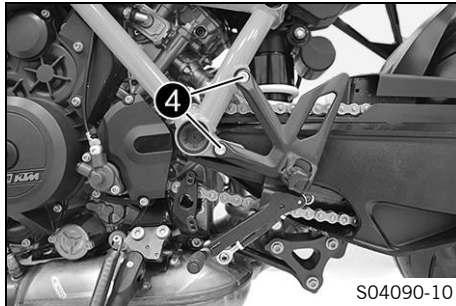
Guideline

Screw, shift rod	M6	5 Nm (3.7 lbf ft) Loctite®243™
------------------	----	--

i Info

The shift linkage is set at the factory. It is not necessary to adjust the shift linkage.

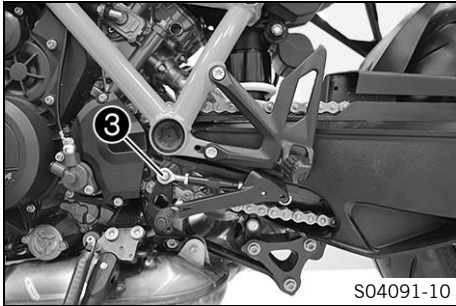
When the footrest support is returned to the standard position, the shift linkage on the shift lever must be mounted in position "S".



- Position the footrest bracket.
- Mount and tighten screws ④.

Guideline

Screw, front rider footrest bracket	M8	25 Nm (18.4 lbf ft) Loctite®243™
-------------------------------------	----	--



S04091-10

- Position the shift linkage at one of the upper positions of the shift shaft.

Guideline

Outer position	Shift power low, long shift path
Inner position	Shift power high, short shift path



Info

When the footrest support is returned to the standard position, one of the lower positions on the shift shaft must be used.

- Mount and tighten screw ③.

Guideline

Screw, shift rod	M6	5 Nm (3.7 lbf ft) Loctite®243™
------------------	----	--



Info

The switching scheme is now reversed.

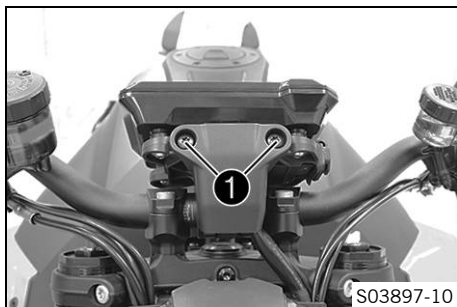


8.9 Adjusting the tilt of the combination instrument

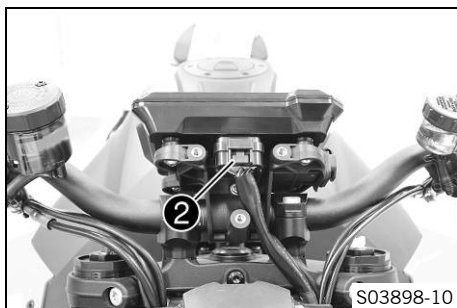


Info

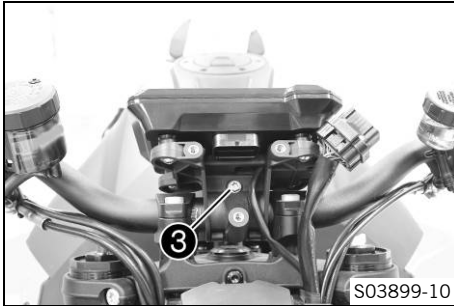
The tilt of the combination instrument can be continuously adjusted using clamping on the handlebar.



- Remove screws **1** and take off the cover.



- Unplug connector **2**.



- Loosen screw **3**.
- Adjust tilt of the combination instrument.

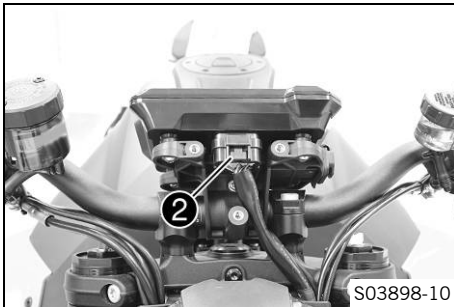
Guideline

The combination instrument must also not touch any other components following completion of the work.

- Tighten screw **3**.

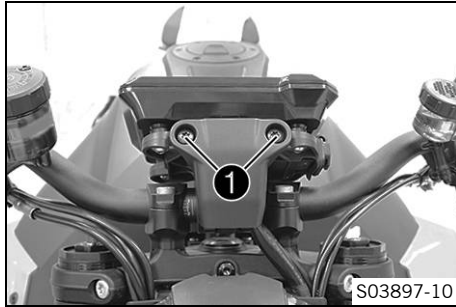
Guideline

Screw, combination instrument clamping	M6	2 Nm (1.5 lbf ft)
--	----	-------------------



- Plug in connector **2**.

8 ERGONOMICS



- Position the cover, mount and tighten screws ①.



9.1 Advice on preparing for first use



Danger

Danger of accidents A rider who is not fit to ride poses a danger to him or herself and others.

- Do not operate the vehicle if you are not fit to ride due to alcohol, drugs or medication.
- Do not operate the vehicle if you are physically or mentally impaired.



Warning

Risk of injury Missing or poor protective clothing presents an increased safety risk.

- Wear appropriate protective clothing such as helmet, boots, gloves as well as trousers and a jacket with protectors on all rides.
- Always wear protective clothing that is in good condition and meets the legal regulations.



Warning

Danger of crashing Different tire tread patterns on the front and rear wheel impair the handling characteristic.

Different tire tread patterns can make the vehicle significantly more difficult to control.

- Make sure that only tires with a similar tire tread pattern are fitted to the front and rear wheel.



Warning

Danger of accidents Non-approved or non-recommended tires and wheels impact the handling characteristic.

- Only use tires/wheels approved by KTM with the corresponding speed index.



Warning

Danger of accidents New tires have reduced road grip.

The contact surface on new tires is not yet roughened.

- Run in new tires with moderate riding at alternating angles.
Running-in phase 200 km (124 mi)



Warning

Danger of accidents The brake system fails in the event of overheating.

If the foot brake lever is not released, the brake linings drag continuously.

- Take your foot off the foot brake lever when you are not braking.



Info

When using your vehicle, remember that others may feel disturbed by excessive noise.

- Make sure that the pre-sales inspection work has been carried out by an authorized KTM workshop.
✓ You will receive a delivery certificate when the vehicle is handed over.
- Before riding for the first time, read the entire Owner's Manual carefully.
- Get to know the controls.
- Adjust the motorcycle to your requirements, as described in the "Ergonomics" chapter.
- Get used to the handling characteristic of the motorcycle in a suitable area before making a longer trip. Try also to ride as slowly as possible to get a better feel for the motorcycle.
- Hold the handlebar firmly with both hands and keep your feet on the footrests when riding.

- Run the engine in.



9.2 Running in the engine

- During the running-in phase, do not exceed the specified engine speed.

Guideline

Maximum engine speed	
During first: 1,000 km (620 mi)	6,500 rpm
After first: 1,000 km (620 mi)	10,250 rpm

- Avoid fully opening the throttle!



9.3 Loading the vehicle



Warning

Danger of accidents Total weight and axle loads influence the handling characteristic.

The total weight consists of: motorcycle ready for operation and with a full tank, driver and passenger with protective clothing and helmet, and luggage.

- Do not exceed the maximum permissible overall weight or the axle loads.



Warning

Danger of accidents Improper mounting of cases or the tank rucksack impairs the handling characteristic.

- Mount and secure cases and tank rucksack according to the manufacturer's instructions.



Warning

Danger of accidents Carrying luggage alters handling characteristics at high speed.

- Adapt your speed to your payload.
 - Ride more slowly if your motorcycle is loaded with cases or other luggage.
- Maximum speed with luggage 130 km/h (80.8 mph)



Warning

Danger of accidents Overloading will destroy the baggage system.

- Observe the manufacturer's instructions on the maximum payload if you have panniers mounted to your motorcycle.



Warning

Danger of accidents Luggage which has slipped impairs visibility.

If the tail light is covered, you are less visible to traffic behind you, especially when it is dark.

- Check that your luggage is fixed properly at regular intervals.



Warning

Danger of accidents A high payload alters the handling characteristic and increases the stopping distance.

- Adapt your speed to your payload.



Warning

Danger of accidents Pieces of luggage which have slipped impair the handling characteristic.

- Check that your luggage is fixed properly at regular intervals.



Warning

Fire hazard The hot exhaust system may burn luggage.

- Fasten your luggage in such a way that it cannot be burned or singed by the hot exhaust system.

- If luggage is carried, ensure it is fixed firmly as close as possible to the center of the vehicle and ensure even weight distribution between the front and rear wheels.
- Do not exceed the maximum permissible weight and maximum permissible axle loads.

Guideline

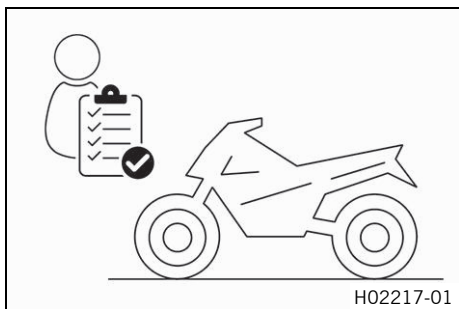
Maximum permissible overall weight	425 kg (937 lb.)
Maximum permissible front axle load	165 kg (364 lb.)
Maximum permissible rear axle load	260 kg (573 lb.)



10.1 Checks and maintenance measures when preparing for use

i Info

Before every trip, check the condition of the vehicle and ensure that it is roadworthy. The vehicle must be in perfect technical condition when it is being operated.



- Check the engine oil level. (📖 p. 281)
- Check the front brake fluid level. (📖 p. 229)
- Check the rear brake fluid level. (📖 p. 234)
- Check the front brake linings. (📖 p. 233)
- Check the brake linings of the rear brake. (📖 p. 238)
- Check that the brake system is functioning properly.
- Check the coolant level in the compensating tank. (📖 p. 273)
- Check the chain for dirt. (📖 p. 212)
- Check the chain tension. (📖 p. 214)
- Check tire condition. (📖 p. 247)
- Check tire pressure. (📖 p. 250)
- Check the settings of all controls and ensure that they can be operated smoothly.
- Check that the electrical system is functioning properly.
- Check that luggage is properly secured.
- Check the setting of the rear mirror.
- Check the fuel level.

10.2 Starting the vehicle



Danger

Danger of poisoning Exhaust gases are toxic and inhaling them may result in unconsciousness and death.

- Always make sure there is sufficient ventilation when running the engine.
- Use effective exhaust extraction when starting or running the engine in an enclosed space.



Caution

Danger of accidents Electronic components and safety devices will be damaged if the 12-V battery is discharged or missing.

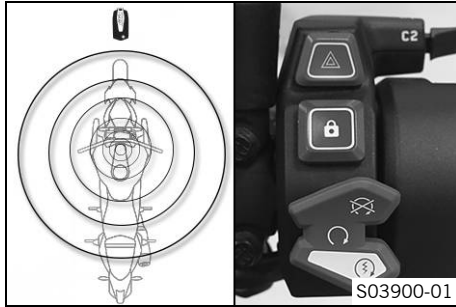
- Never operate the vehicle with a discharged 12-V battery or without a 12-V battery.

Note

Engine damage High revving speed with a cold engine negatively impacts the lifespan of the engine.

- Always run the engine warm at a low speed.
-

10 RIDING INSTRUCTIONS



- Take the motorcycle off the side stand and sit on the motorcycle.
- Bring the RACE-ON key within the range of the steering lock.
- Ensure that the RACE-ON key stays in range while riding.

Guideline

Maximum range of the RACE-ON key around the steering lock	1.5 m (4.9 ft)
---	----------------



Info

The range may be reduced by decreases in battery voltage of the RACE-ON key and by interfering radio waves. If the battery voltage of the RACE-ON key is too low, one of the ignition keys must be placed in the area of the steering lock (📖 p. 40) and must be safely stored again after starting.

- Make sure that the emergency OFF switch/electric starter button is in the middle position ○.
- Switch on the ignition; to do this, briefly press the RACE-ON button ⚡ (maximum of 1 second).
 - ✓ The steering is unlocked.
 - ✓ The function check of the combination instrument is run.
 - ✓ The ABS warning lamp goes out when starting off.



Info

If the handlebar does not unlock, move the handlebar slightly.

- Shift the transmission into neutral.
- ✓ The **N** neutral position is displayed.
- Turn emergency OFF switch/electric starter button to the lower position (ⓘ).



Info

Only press the emergency off switch/electric starter button into the lower position (ⓘ) when the combination instrument function check has been completed.

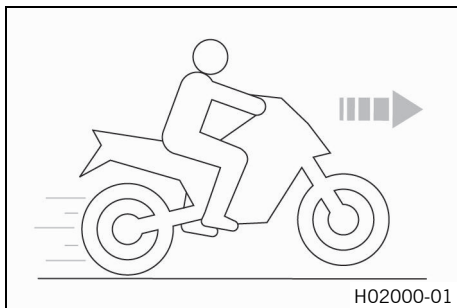
When starting, **DO NOT** open the throttle.

Press the emergency OFF switch/electric starter button into the lower position (ⓘ) for a maximum of 5 seconds. Wait for a least 5 seconds before trying again.

This motorcycle is equipped with a safety starting system. You can only start the engine if the transmission is in neutral or if the clutch lever is pulled when a gear is engaged. If the side stand is folded out and you shift into gear, the engine stops.



10.3 Launch Control (optional)



Launch Control is an optional vehicle electronics function.

Launch control adjusts the engine speed in order to achieve the best possible acceleration.

Launch control can be used for starting off for a maximum of three times in succession. Launch control is temporarily deactivated after the third starting off in order to protect the engine, transmission and cooling system from overloading.

Launch control is also deactivated if all conditions for activation are no longer met.

Launch control is enabled again in the following cases: the engine runs for at least three minutes, the engine is switched off for 20 minutes or a distance of 1.5 km (0.93 mi) has been covered.

10.4 Starting off

- Pull the clutch lever, shift into first gear, release the clutch lever slowly and at the same time open the throttle gently.

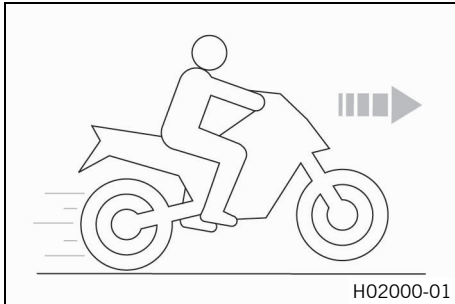
10.5 Starting off with launch control (optional)



Warning

Danger of accidents Launch control enables very powerful acceleration which may ask too much of a novice rider.

- Only use the launch control if you have the appropriate experience.
- Do not use launch control on public roads.



Condition

The drive mode **TRACK** (optional) is activated.

First gear is engaged.

The TC indicator lamp does not light up.

Coolant temperature: > 60 °C (> 140 °F)

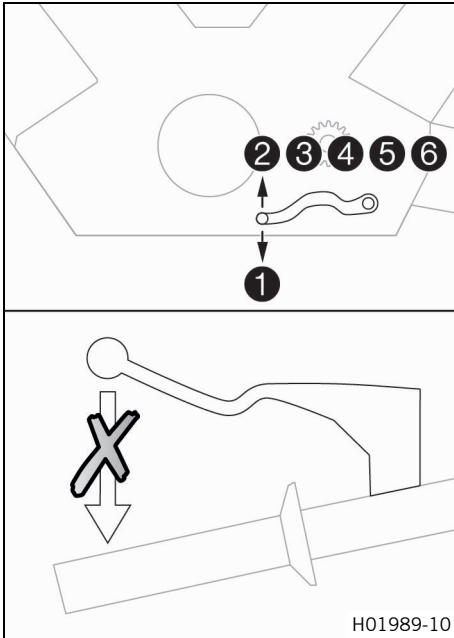
Total riding distance covered: > 1,000 km (> 620 mi)

- Activate launch control in the combination instrument.
 - ✓ The number of available starts is indicated on the start screen.
- Apply full throttle with the clutch lever pulled.
 - ✓ The engine speed is adjusted.

6,500 rpm
 - ✓ The TC indicator lamp flashes quickly.
- Release clutch lever quickly but in a controlled manner.



10.6 Quickshifter+ (optional)



If the Quickshifter+ (optional) is activated, you can shift up and down without actuating the clutch.

Because there is no need to close the throttle grip, uninterrupted gear shifts are possible.

The quickshifter+ uses the shifter shaft position to check whether or not a shift should be initiated, and sends a corresponding signal to the engine control.

If the quickshifter+ is disabled in the combination instrument, the clutch needs to be actuated in the normal way for each shift.

10.7 Shifting, riding



Warning

Danger of accidents Abrupt load alterations can cause the vehicle to get out of control.

- Avoid abrupt load alterations and sudden braking actions.
- Adapt your speed to the road conditions.



Warning

Danger of accidents If you change down at high engine speed, the rear wheel blocks and the engine races.

- Do not change into a low gear at high engine speed.



Warning

Danger of accidents Adjustments to the vehicle distract attention from traffic activity.

- Make all adjustments when the vehicle is at a standstill.



Warning

Risk of injury The passenger may fall from the motorcycle if they conduct themselves incorrectly.

- Ensure that the passenger sits correctly on the passenger seat, places his or her feet on the passenger foot pegs and holds on to the rider or the grab handles.
- Note the regulations governing the minimum age of passengers in your country.

10 RIDING INSTRUCTIONS



Warning

Danger of accidents A risky riding style constitutes a major risk.

- Comply with traffic regulations and ride defensively and with foresight to detect sources of danger as early as possible.



Warning

Danger of accidents Cold tires have reduced road grip.

- Ride the first miles carefully on every journey at moderate speed until the tires reach operating temperature.



Warning

Danger of accidents New tires have reduced road grip.

The contact surface on new tires is not yet roughened.

- Run in new tires with moderate riding at alternating angles.
Running-in phase 200 km (124 mi)



Warning

Danger of accidents Total weight and axle loads influence the handling characteristic.

The total weight consists of: motorcycle ready for operation and with a full tank, driver and passenger with protective clothing and helmet, and luggage.

- Do not exceed the maximum permissible overall weight or the axle loads.

**Warning**

Danger of accidents Pieces of luggage which have slipped impair the handling characteristic.

- Check that your luggage is fixed properly at regular intervals.

**Warning**

Danger of accidents A fall can damage the vehicle more seriously than it may first appear.

- Check the vehicle after a fall as you do when preparing for use.

Note

Engine damage Unfiltered intake air has a negative effect on the service life of the engine.

Dust and dirt will enter the engine without an air filter.

- Never start to use the vehicle without an air filter.

Note

Engine failure Overheating damages the engine.

- If the coolant temperature warning is displayed, stop immediately and take care not to endanger yourself or other traffic participants in the process.
- Allow the engine and cooling system to cool down.
- Check and, if necessary, correct the coolant level on the cooling system while it is in a cooled state.

Note

Transmission damage Incorrect use of the quickshifter+ will damage the transmission.

The quickshifter+ can only be used if the function is enabled in the combination instrument.

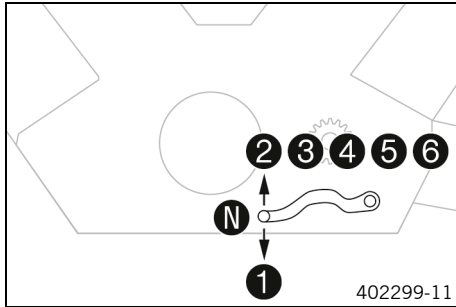
The quickshifter+ is not active if you pull the clutch lever.

- Only use the quickshifter+ in the permitted speed range shown.

i Info

If you hear unusual noises while riding, stop immediately, switch off the engine, and contact an authorized KTM workshop.

All specifications regarding the switching direction refer to the standard switching scheme.






- Shift into a higher gear when conditions allow (incline, road situation, etc.).
- Release the throttle while simultaneously pulling the clutch lever, shift into the next gear, release the clutch lever, and open the throttle.

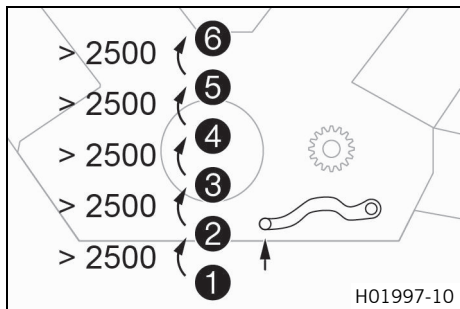
i Info

The gear positions can be seen in the figure. The idle position is between the first and second gears. First gear is used for starting off or for steep inclines.

- After reaching maximum speed by fully opening the throttle grip, turn the throttle back so it is $\frac{3}{4}$ open. This will barely

reduce the speed, but fuel consumption will be considerably lower.

- Accelerate only up to a speed suitable for the road surface and weather conditions. Particularly in bends, do not shift, and accelerate very carefully.
- Brake if necessary and close the throttle at the same time in order to shift down.
- Pull clutch lever and shift into a lower gear, release the clutch lever slowly, and open the throttle or shift again.
- If the engine stalls (e.g. at a crossroads), just pull clutch lever and press emergency OFF switch/electric starter button into the lower position (⊗). The transmission must not be shifted into neutral.
- Switch off the engine if you are likely to be running at idle speed or stationary for a long time.
- If the oil pressure warning lamp  lights up during a trip, stop immediately and switch off the engine. Contact an authorized KTM workshop.
- If the malfunction indicator lamp  lights up during a trip, please contact an authorized KTM workshop as soon as possible.
- If the general warning lamp  lights up during a trip, the display shows a message for 10 seconds.



i Info

Very important messages are stored in the **Warning** menu.

- If the ice warning appears in the combination instrument, the roads may be icy. Adjust your speed to the road conditions.

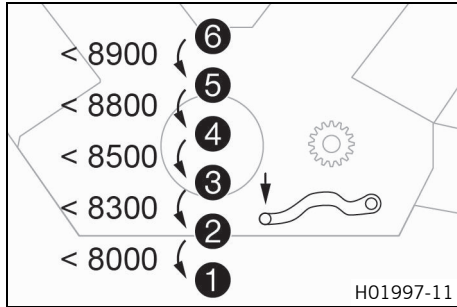
Condition

The quickshifter + (optional) is enabled.

- If the quickshifter + is enabled in the combination instrument, one can shift up in the engine speed range shown without pulling the clutch lever.

i Info

The minimum engine speed before shifting up in revolutions per minute is shown in the figure. Pull the shift lever to the stop quickly without changing the throttle twist grip position.



- If the quickshifter+ is enabled in the combination instrument, one can shift down in the engine speed range shown without pulling the clutch lever.

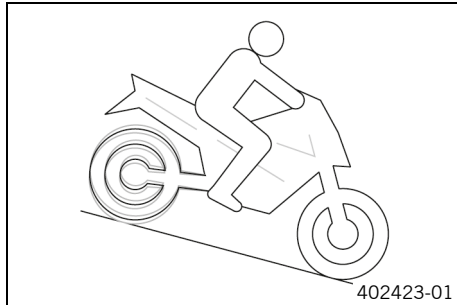


Info

The maximum engine speed before shifting down in revolutions per minute is shown in the figure. Depress the shift lever to the stop quickly without changing the throttle twist grip position.



10.8 MSR (optional)



The **MSR** is an optional auxiliary function of the engine control. If the engine braking effect is too great, the **MSR** prevents the rear wheel from locking or sliding away on a sloping position. To avoid slip of the rear wheel, the **MSR** only opens the throttle valve as far as absolutely necessary. The **MSR** is applied on surfaces, where the friction is too low to open the slipper clutch. To further increase ride safety, the **MSR** is slope dependent.



Info

If ABS is disabled, MTC is disabled or ABS Mode **Supermoto** is enabled, the **MSR** is not active.

10.9 Applying the brakes



Warning

Danger of accidents Moisture and dirt impair the brake system.

- Brake carefully several times to dry out and remove dirt from the brake linings and the brake discs.



Warning

Danger of accidents A spongy pressure point on the front or rear brake reduces braking efficiency.

- Check the brake system and do not continue riding until the problem is eliminated. (Your authorized KTM workshop will be glad to help.)



Warning

Danger of accidents The brake system fails in the event of overheating.

If the foot brake lever is not released, the brake linings drag continuously.

- Take your foot off the foot brake lever when you are not braking.



Warning

Danger of accidents Higher total weight increases the stopping distance.

- Take the longer stopping distance into account when carrying a passenger or luggage with you.



Warning

Danger of accidents Salt on the roads impairs the brake system.

- Brake carefully several times to remove salt from the brake linings and the brake discs.

**Warning**

Danger of accidents ABS may increase the stopping distance in certain situations.

- Adjust application of the brakes to the respective riding situation and riding surface conditions.

**Warning**

Danger of accidents Excessively forceful application of the brakes blocks the wheels.

The ABS effectiveness is only ensured if it is switched on.

- Leave the ABS switched on in order to benefit from the protective effect.

**Warning**

Danger of accidents Driving aids can only prevent a rollover within the physical limitations.

It is not always possible to compensate for extreme riding situations, for example with luggage loaded with a high center of gravity, varying road surfaces, steep descents or full braking without disengaging the gear.

- Adapt your riding style to the road conditions and your driving ability.

-
- When braking, release the throttle and apply the front and rear brakes at the same time.

**Info**

When the ABS is enabled, you can achieve maximum braking power even on low grip surfaces such as sandy, wet, or slippery terrain without locking of the wheels.



Warning

Danger of accidents The rear wheel can lock due to the engine braking effect.

- Pull in the clutch, if you perform emergency or full braking, or if you brake on a slippery ground.



Warning

Danger of accidents Banked or laterally sloping ground reduces the maximum possible delay.

- If possible finish braking before going into a bend.

- Always finish braking before you go into a bend. Change down to a lower gear appropriate to your road speed.
- Use the braking effect of the engine on long downhill stretches. Change down one or two gears, but do not over-rev the engine. In this way, you have to brake far less and the brakes do not overheat.

10.10 Stopping, parking



Warning

Risk of injury People who act without authorization endanger themselves and others.

If a valid transponder is in range, the vehicle can be started.

- Do not leave the vehicle unattended if the engine is running.
- Never leave the vehicle unattended if the RACE-ON key or the black ignition key are close to the vehicle.
- Protect the vehicle against access by unauthorized persons.
- Lock the steering if you leave the vehicle unattended.

**Warning**

Danger of burns Some vehicle components become very hot when the vehicle is operated.

- Do not touch any parts such as the exhaust system, radiator, engine, shock absorber, or brake system before the vehicle parts have cooled down.
- Let the vehicle parts cool down before you perform any work on the vehicle.

Note

Material damage The vehicle may be damaged by incorrect procedure when parking.

Significant damage may be caused if the vehicle rolls away or falls over.


The components for parking the vehicle are designed only for the weight of the vehicle.

- Park the vehicle on a firm and level surface.
- Ensure that nobody sits on the vehicle when the vehicle is parked on a stand.

Note

Fire hazard Hot vehicle components pose a fire hazard and explosion risk.


- Do not park the vehicle near to materials which are highly flammable or explosive.
- Allow the vehicle to cool down before covering it.

-
- Apply the brakes on the motorcycle.
 - Shift the transmission into neutral.
 - Switch off the ignition – to do this briefly press the RACE-ON button  (maximum of 1 second) with the ignition switched on.



Info

If the engine is switched off with the emergency OFF switch and the ignition remains switched on using the RACE-ON button, the power supply to most power consumers remains unbroken. This discharges the 12-V battery. You should therefore always switch off the engine with the RACE-ON button – the emergency OFF switch is intended for emergencies only.

- Park the motorcycle on a firm surface.
- Swing side stand forward with your foot as far as it will go and lean the vehicle on it.
- Move handlebar fully to the left and press and hold the RACE-ON button  (for at least 2 seconds).
- ✓ The steering is locked.



Info

If the steering lock does not engage, move the handlebar slightly.

10.11 Transporting

Note

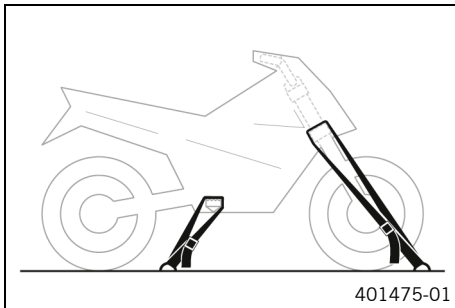
Danger of damage The parked vehicle can roll away or fall over.

- Park the vehicle on a firm and level surface.

Note

Fire hazard Hot vehicle components pose a fire hazard and explosion risk.

- Do not park the vehicle near to materials which are highly flammable or explosive.
 - Allow the vehicle to cool down before covering it.
-



- Switch off the engine.
- Use tension belts or other suitable devices to secure the motorcycle against falling over or rolling away.

10.12 Refueling



Danger

Fire hazard Fuel is highly flammable.

The fuel in the fuel tank expands when warm and can escape if overfilled.

- Do not refuel the vehicle in the vicinity of open flames or lit cigarettes.
- Switch off the engine for refueling.
- Make sure that no fuel is spilled; particularly not on hot parts of the vehicle.
- If any fuel is spilled, wipe it off immediately.
- Observe the specifications for refueling.



Warning

Danger of poisoning Fuel is poisonous and a health hazard.

- Avoid skin, eye and clothing contact with fuel.
- Immediately consult a doctor if you swallow fuel.
- Do not inhale fuel vapors.
- In case of skin contact, rinse the affected area with plenty of water.
- Rinse the eyes thoroughly with water, and consult a doctor in case of fuel contact with the eyes.
- Change your clothing in case of fuel spills on them.

Note

Material damage Inadequate fuel quality causes the fuel filter to quickly become clogged.

In some countries and regions, the available fuel quality and cleanliness may not be sufficient. This will result in problems with the fuel system.

- Refuel only with clean fuel that meets the specified standards. (Your authorized KTM workshop will be glad to help.)

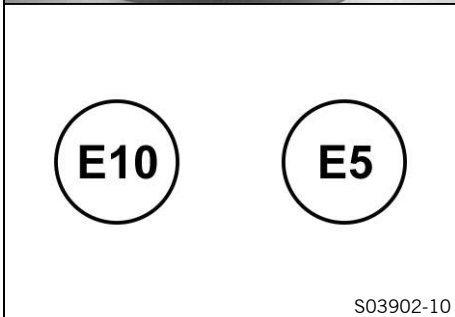


Note

Environmental hazard Improper handling of fuel is a danger to the environment.

- Do not allow fuel to enter the groundwater, the soil, or the sewage system.
-

10 RIDING INSTRUCTIONS



S03902-10

- Switch off the engine.
- Open fuel tank filler cap. (📖 p. 43)
- Fill the fuel tank with fuel up to the lower edge **A** of the filler neck.

Total fuel tank capacity, approx.	16 l (4.2 US gal)	Super unleaded (ROZ 95/RON 95/PON 91) (📖 p. 330)
-----------------------------------	----------------------	---

- Close the fuel tank filler cap. (📖 p. 45)








11.1 Additional information

Any further work that results from the compulsory work or from the recommended work must be ordered separately and invoiced separately.

Different service intervals may apply in your country, depending on the local operating conditions.

Individual service intervals and scopes may change in the course of technical developments. The most up-to-date service schedule can always be found on KTM Dealer.net. Your authorized KTM dealer will be happy to advise you.

11.2 Required work

	every 24 months				
		every 12 months			
			every 30,000 km (18,600 mi)		
				every 15,000 km (9,300 mi)	
					after 1,000 km (620 mi)
Read out the fault memory using the KTM diagnostics tool. 	<input type="radio"/>	<input checked="" type="checkbox"/>	<input checked="" type="checkbox"/>	<input checked="" type="checkbox"/>	<input checked="" type="checkbox"/>
Check the exhaust valve control unit with the KTM diagnostics tool. 	<input type="radio"/>	<input checked="" type="checkbox"/>	<input checked="" type="checkbox"/>	<input checked="" type="checkbox"/>	<input checked="" type="checkbox"/>
Check that the electrical system is functioning properly.	<input type="radio"/>	<input checked="" type="checkbox"/>	<input checked="" type="checkbox"/>	<input checked="" type="checkbox"/>	<input checked="" type="checkbox"/>
Change the engine oil and the oil filter, clean the oil screens.   p. 282	<input type="radio"/>	<input checked="" type="checkbox"/>	<input checked="" type="checkbox"/>	<input checked="" type="checkbox"/>	<input checked="" type="checkbox"/>
Check the front brake linings.  p. 233	<input type="radio"/>	<input checked="" type="checkbox"/>	<input checked="" type="checkbox"/>	<input checked="" type="checkbox"/>	<input checked="" type="checkbox"/>
Check the brake linings of the rear brake.  p. 238	<input type="radio"/>	<input checked="" type="checkbox"/>	<input checked="" type="checkbox"/>	<input checked="" type="checkbox"/>	<input checked="" type="checkbox"/>
Check the brake discs.  p. 228	<input type="radio"/>	<input checked="" type="checkbox"/>	<input checked="" type="checkbox"/>	<input checked="" type="checkbox"/>	<input checked="" type="checkbox"/>
Check the brake lines for damage and leakage.	<input type="radio"/>	<input checked="" type="checkbox"/>	<input checked="" type="checkbox"/>	<input checked="" type="checkbox"/>	<input checked="" type="checkbox"/>

11 SERVICE SCHEDULE

					every 24 months
					every 12 months
					every 30,000 km (18,600 mi)
					every 15,000 km (9,300 mi)
					after 1,000 km (620 mi)
Change the front brake fluid. 🛠️					•
Change the rear brake fluid. 🛠️					•
Change the hydraulic clutch fluid. 🛠️					•
Check the front brake fluid level. (📖 p. 229)	○	•	•	•	
Check the rear brake fluid level. (📖 p. 234)	○	•	•	•	
Check/correct the fluid level of the hydraulic clutch. (📖 p. 222)		•	•	•	
Check the shock absorber and fork for leaks. Perform service as needed and depending on how the vehicle is used. 🛠️	○	•	•	•	•
Clean dust boots of the fork legs. 🛠️ (📖 p. 197)		•	•		
Check the steering head bearing play. 🛠️	○	•	•	•	•
Check tire condition. (📖 p. 247)	○	•	•	•	•
Check tire pressure. (📖 p. 250)	○	•	•	•	•
Check the chain, rear sprocket, engine sprocket, and chain guide. (📖 p. 217)		•	•	•	•
Check the chain tension. (📖 p. 214)	○	•	•	•	•
Measure the wheel bearing play and grease the rear hub. 🛠️			•		
Check that the rear wheel nut (right side) is tightened to the specified torque. 🛠️	○	•	•	•	•
Change the spark plugs (air filter removed). 🛠️			•		

		every 24 months			
		every 12 months			
		every 30,000 km (18,600 mi)			
		every 15,000 km (9,300 mi)			
		after 1,000 km (620 mi)			
Check the valve clearance (air filter and spark plugs removed). 🛠️			•		
Change the SAS diaphragm valves. 🛠️			•		
Check the cables for damage and routing without sharp bends (fuel tank removed). 🛠️			•	•	•
Check the coolant level in the compensating tank. (📖 p. 273)	○	•	•	•	•
Change the air filter, clean the air filter box. 🛠️			•	•	
Check the fuel pressure. 🛠️			•	•	•
Check the headlight setting. (📖 p. 267)	○	•	•		
Check that the radiator fan is functioning properly. 🛠️	○	•	•	•	•
Final check: Check the vehicle is roadworthy and take a test ride. 🛠️	○	•	•	•	•
Read out the error memory after the test ride using the KTM diagnostics tool. 🛠️	○	•	•	•	•
Reset the service display using the KTM diagnostic tool. 🛠️	○	•	•	•	•
Make a service entry in KTM Dealer.net . 🛠️	○	•	•	•	•

- One-time interval
- Periodic interval

11 SERVICE SCHEDULE

11.3 Recommended work

	every 48 months				
	every 12 months				
	every 30,000 km (18,600 mi)				
	every 15,000 km (9,300 mi)				
	after 1,000 km (620 mi)				
Check the frame. 🛠️			•		
Check the link fork. 🛠️			•		
Check/clean the oil nozzle for clutch lubrication. 🛠️	○	•	•		
Check the fork bearing. 🛠️		•	•		
Check the wheel bearings. 🛠️		•	•		
Check the shock absorber linkage for play. 🛠️		•	•		
Grease all moving parts (e.g., side stand, hand lever, chain, ...) and check for smooth operation. 🛠️	○	•	•	•	•
Empty the drainage hoses. 🛠️	○	•	•	•	•
Check all hoses (e.g. fuel, cooling, bleeder, drainage, etc.) and sleeves for cracking, leaks, and incorrect routing. 🛠️		•	•	•	•
Check the antifreeze. 🛠️	○	•	•	•	
Check the tightness of the safety-relevant screws and nuts which are easily accessible. 🛠️	○	•	•	•	•
Change the coolant. 🛠️					•

- One-time interval
- Periodic interval

12 SUSPENSION SETTING

12.1 Fork/shock absorber



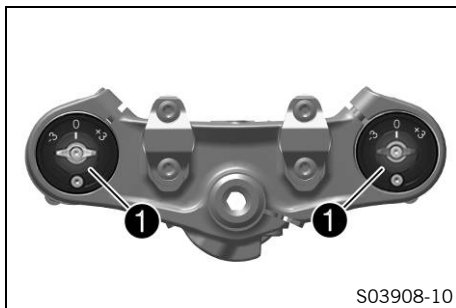
The fork and the shock absorber offer many options of adapting the suspension to the riding style and the payload.

i Info

The recommendations for the suspension setting are shown in Table 1. The table is located on the underside of the front rider's seat.

These adjustments are guidelines and should always be the basis for a suspension setting. If the guidelines are not adhered to, the riding characteristics could deteriorate, particularly at high speeds.

12.2 Adjusting the spring preload of the fork



- Turn adjusting screws 1 all the way either clockwise or counterclockwise.

i Info

Make the same adjustment on both fork legs.

- Make the appropriate adjustment for the fork type.

Guideline

Spring preload – preload adjuster	
Comfort	- 3
Standard	0
Sport	+3
Full payload	+3



Info

Turn clockwise to increase the spring preload; turn counterclockwise to reduce the spring preload. Adjusting the spring preload has no influence on the absorption setting of the rebound. Basically, however, you should set the rebound damping higher with a higher spring preload.



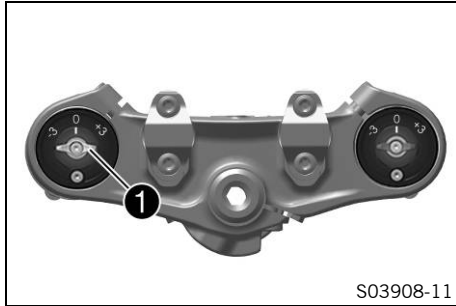
12.3 Adjusting the compression damping of the fork



Info

The hydraulic compression damping determines the fork suspension behavior.

12 SUSPENSION SETTING



- Turn white adjusting screw ① clockwise as far as it will go.

i Info

Adjusting screw ① is located at the upper end of the left fork leg.
The compression damping is located in left fork leg **COMP** (white adjusting screw). The rebound damping is located in right fork leg **REB** (red adjusting screw).

- Turn counterclockwise by the number of clicks corresponding to the fork type.

Guideline

Compression damping	
Comfort	21 clicks
Standard	15 clicks
Sport	7 clicks
Full payload	7 clicks

i Info

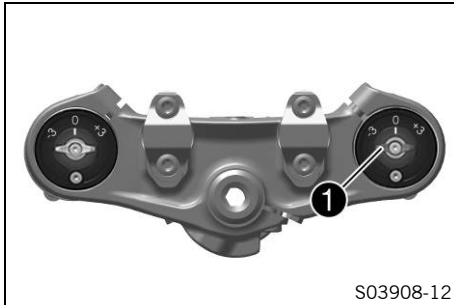
Turn clockwise to increase damping; turn counterclockwise to reduce damping.

12.4 Adjusting the rebound damping of the fork



Info

The hydraulic rebound damping determines the fork suspension behavior.



- Turn red adjusting screw **1** clockwise as far as it will go.



Info

Adjusting screw **1** is located at the upper end of the right fork leg.

The rebound damping is located in right fork leg **REB** (red adjusting screw). The compression damping is located in left fork leg **COMP** (white adjusting screw).

- Turn counterclockwise by the number of clicks corresponding to the fork type.

Guideline

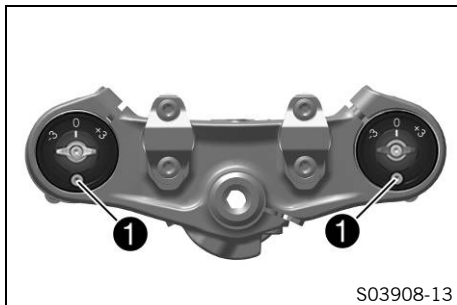
Rebound damping	
Comfort	21 clicks
Standard	15 clicks
Sport	7 clicks
Full payload	7 clicks



Info

Turn clockwise to increase damping; turn counterclockwise to reduce damping.

12.5 Bleeding the fork legs



Preparatory work

- Raise motorcycle with the work stand (inserted). 🛠️ (📖 p. 194)

Main work

- Release bleeder screws ①.
- ✓ Any excess pressure escapes from the interior of the fork.
- Tighten the bleeder screws.

Finishing work

- Remove the motorcycle from the work stand (inserted). 🛠️ (📖 p. 196)

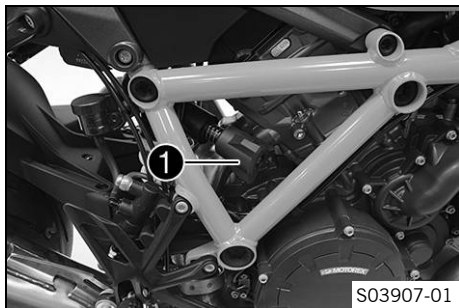
12.6 Compression damping of the shock absorber



The compression damping of the shock absorber is divided into two ranges: high-speed and low-speed. High-speed and low-speed refer to the compression speed of the rear wheel suspension and not to the vehicle speed. The high-speed compression adjuster, for example, has an effect when riding over an asphalt edge: the rear wheel suspension compresses quickly. The low-speed compression adjuster has an effect, for example, when riding over long ground swells: the rear wheel suspension compresses slowly. These two ranges can be adjusted separately, although the transition between high-speed and low-speed is gradual. Thus, changes in the high-speed range affect the compression damping in the low-speed range and vice versa.

12 SUSPENSION SETTING

12.7 Adjusting the spring preload of the shock absorber



- To increase the spring preload, turn handwheel ① clockwise.
- To reduce the spring preload, turn handwheel ① counterclockwise.

Guideline

Spring preload	
Standard	0
Maximum	15
Minimum	-5

12.8 Adjusting the low-speed compression damping of the shock absorber



Caution

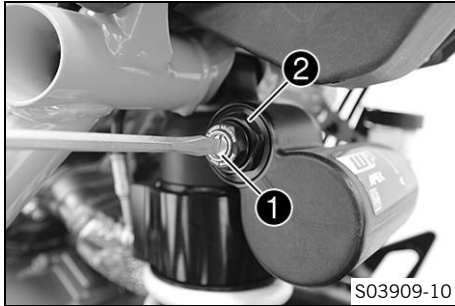
Risk of injury Parts of the shock absorber will move around if the shock absorber is detached incorrectly. The shock absorber is filled with highly compressed nitrogen.

- Please follow the description provided. (Your authorized KTM workshop will be glad to help.)



Info

The low-speed compression adjuster takes effect during slow to normal compression of the shock absorber.



- Turn adjusting screw **1** clockwise with a screwdriver as far as the last perceptible click.

i **Info**
Do not loosen fitting **2**!

- Turn counterclockwise by the number of clicks corresponding to the shock absorber type.

Guideline

Low-speed compression damping	
Comfort	21 clicks
Standard	12 clicks
Sport	7 clicks
Full payload	7 clicks

i **Info**
Turn clockwise to increase damping; turn counterclockwise to reduce damping.

12.9 Adjusting the high-speed compression damping of the shock absorber



Caution

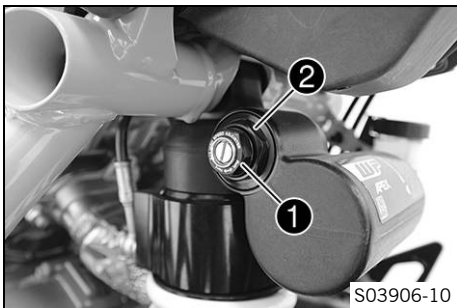
Risk of injury Parts of the shock absorber will move around if the shock absorber is detached incorrectly. The shock absorber is filled with highly compressed nitrogen.

- Please follow the description provided. (Your authorized KTM workshop will be glad to help.)



Info

The high-speed compression adjuster takes effect during fast compression of the shock absorber.



- Turn adjusting screw **1** all the way clockwise with a socket wrench.



Info

Do not loosen fitting **2**!

- Turn counterclockwise by the number of turns corresponding to the shock absorber type.

Guideline

High-speed compression damping	
Comfort	1.5 turns
Standard	1.5 turns
Sport	1 turn
Full payload	1 turn



Info

Turn clockwise to increase damping; turn counterclockwise to reduce damping.



12.10 Adjusting the rebound damping of the shock absorber



Caution

Risk of injury Parts of the shock absorber will move around if the shock absorber is detached incorrectly. The shock absorber is filled with highly compressed nitrogen.

- Please follow the description provided. (Your authorized KTM workshop will be glad to help.)

12 SUSPENSION SETTING



- Turn adjusting screw ① clockwise up to the last perceptible click.
- Turn counterclockwise by the number of clicks corresponding to the shock absorber type.

Guideline

Rebound damping	
Comfort	21 clicks
Standard	15 clicks
Sport	10 clicks
Full payload	10 clicks



Info

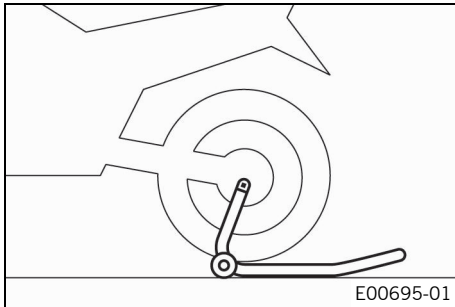
Turn clockwise to increase damping; turn counterclockwise to reduce damping.

13.1 Lifting the motorcycle with the rear lifting gear

Note

Danger of damage The parked vehicle can roll away or fall over.

- Park the vehicle on a firm and level surface.



- Place the adapter into the rear lifting gear.

Rear wheel work stand for single-sided swing arm
(61329955000)

- Position the motorcycle upright, place the lifting gear in the axle, and raise the motorcycle.



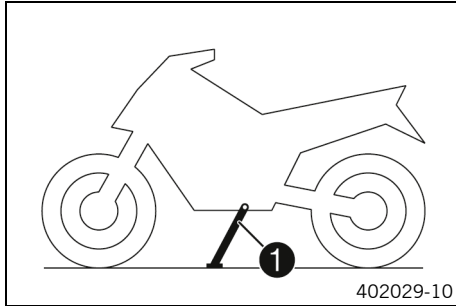
13.2 Removing the rear of motorcycle from the lifting gear

Note

Danger of damage The parked vehicle can roll away or fall over.

- Park the vehicle on a firm and level surface.

13 SERVICE WORK ON THE CHASSIS



- Secure the motorcycle against falling over.
- Remove the rear wheel stand and lean the vehicle on side stand ①.

13.3 Lifting the motorcycle with the front lifting gear

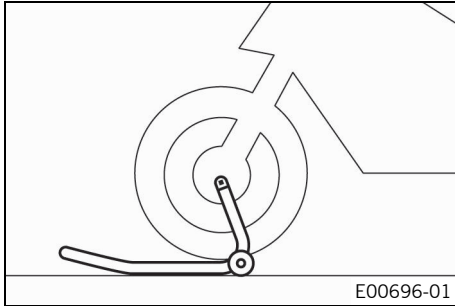
Note

Danger of damage The parked vehicle can roll away or fall over.

- Park the vehicle on a firm and level surface.

Preparatory work

- Lift the motorcycle with the rear lifting gear. (📖 p. 191)



Main work

- Move the handlebar to the straight-ahead position. Align the front lifting gear with the fork legs.

Front wheel work stand, small (61129965000)



Info

Always raise the motorcycle at the rear first.

- Lift the motorcycle at the front.



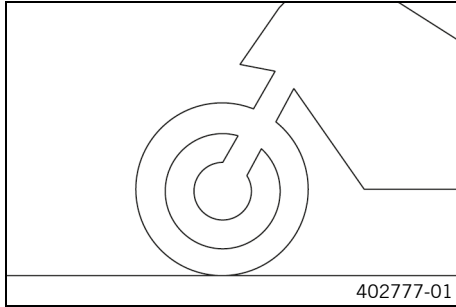
13.4 Taking the motorcycle off the front lifting gear

Note

Danger of damage The parked vehicle can roll away or fall over.

- Park the vehicle on a firm and level surface.

13 SERVICE WORK ON THE CHASSIS



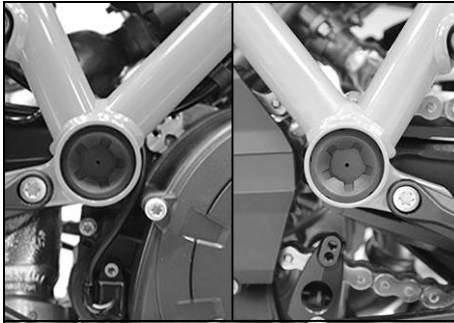
- Secure the motorcycle against falling over.
- Remove the front lifting gear.

13.5 Raising the motorcycle with the work stand (inserted) ↴

Note

Danger of damage The parked vehicle can roll away or fall over.

- Park the vehicle on a firm and level surface.



- Remove the plastic caps on both sides.
- The plastic bushing of the work stand should engage in the opening of the swingarm pivot. Select the right height and width of the work stand.

Work stand (62529055200)

- Raise the motorcycle.



Info

Check that the work stand is properly seated.



13 SERVICE WORK ON THE CHASSIS

13.6 Removing the motorcycle from the work stand (inserted)

Note

Danger of damage The parked vehicle can roll away or fall over.

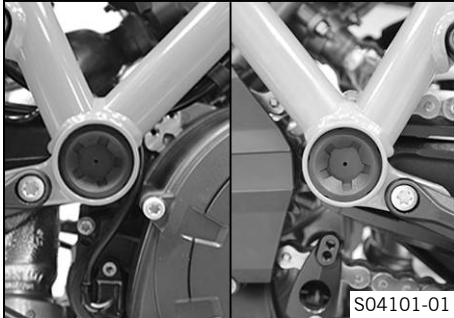
- Park the vehicle on a firm and level surface.
-



- Remove the motorcycle from the work stand and rest it on the side stand.
- Remove the work stand.

Work stand (62529055200)

- Insert the plastic caps on both sides.

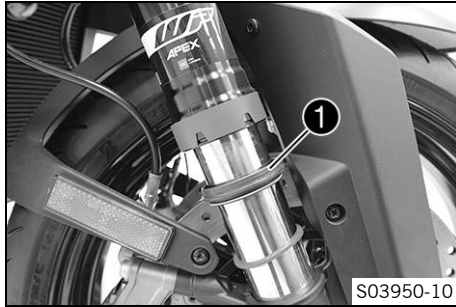


13.7 Cleaning the dust boots of the fork legs ↩

Preparatory work

- Lift the motorcycle with the rear lifting gear. (📖 p. 191)
- Lift the motorcycle with the front lifting gear. (📖 p. 192)

13 SERVICE WORK ON THE CHASSIS



Main work

- Push dust boots ❶ of both fork legs downward.



Info

The dust boots remove dust and coarse dirt particles from the inside fork tubes. Over time, dirt can accumulate behind the dust boots. If this dirt is not removed, the oil seals behind can start to leak.



Warning

Danger of accidents Oil or grease on the brake discs reduces the braking effect.

- Always keep the brake discs free of oil and grease.
- Clean the brake discs with brake cleaner when necessary.


- Clean and oil the dust boots and inner fork tubes of both fork legs.

Universal oil spray (📖 p. 332)

- Press dust boots back into the installation position.
- Remove excess oil.

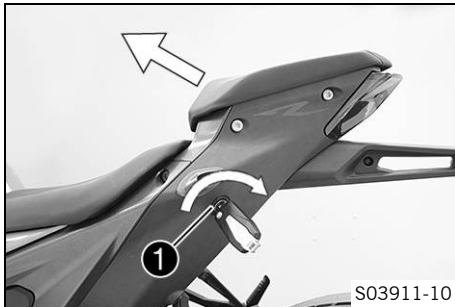
Finishing work

- Take the motorcycle off the front lifting gear. (📖 p. 193)

- Remove the rear of the motorcycle from the lifting gear.
( p. 191)



13.8 Removing the passenger seat

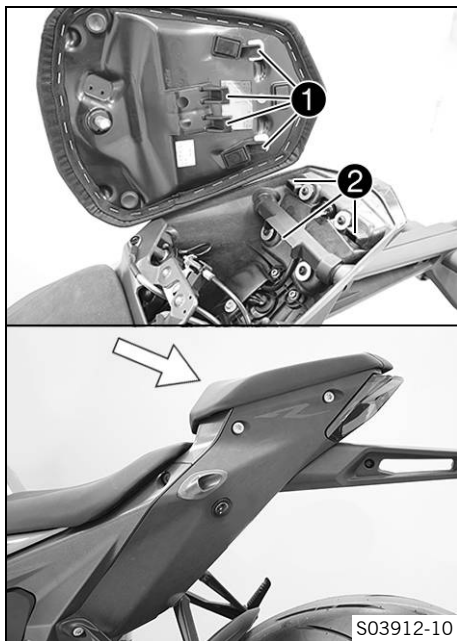


- Insert the RACE-ON key or the black ignition key into seat lock **1** and turn clockwise.
- Lift passenger seat at the front and pull it out of the bracket toward the front.
- Remove the passenger seat.
- Remove the ignition key.



13 SERVICE WORK ON THE CHASSIS

13.9 Mounting the passenger seat



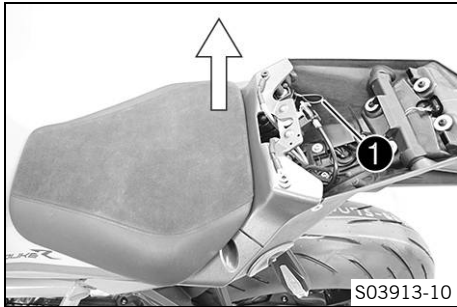
- Hook recesses **1** of the passenger seat in guides **2** and lower the front seat while pushing it back.
- Position the locking pin in the lock housing and push the passenger seat down at the front.
 - ✓ The locking pin engages with an audible click.
- Check that the passenger seat is mounted correctly.

13.10 Removing the front rider's seat**Preparatory work**

- Remove the passenger seat. (📖 p. 199)

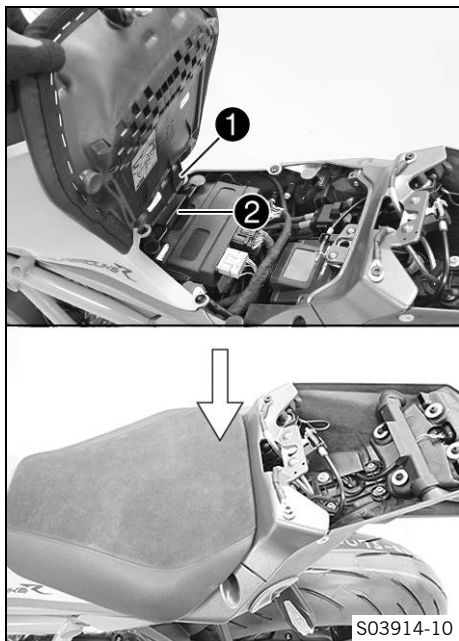
Main work

- Unlock the front rider's seat with loop ❶ underneath the passenger seat.
- Raise the front rider's seat at the rear and remove it.



13 SERVICE WORK ON THE CHASSIS

13.11 Mounting the front rider's seat



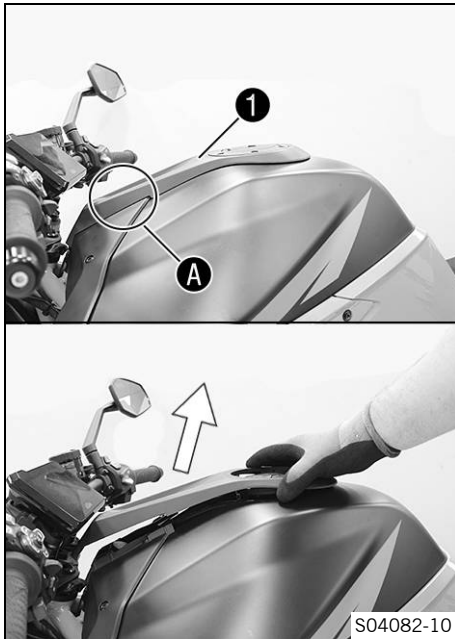
Main work

- Hook recess **1** of the front rider's seat into guide **2**, lower it at the rear and push it forward.
- Position the locking pin in the lock housing and push the passenger seat down at the front.
 - ✓ The locking pin engages with an audible click.
- Check that the front rider's seat is mounted correctly.

Finishing work

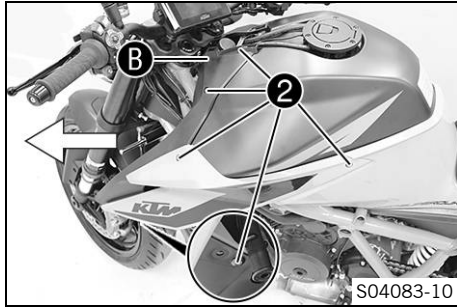
- Mount the passenger seat. (📖 p. 200)

13.12 Removing left fuel tank spoiler

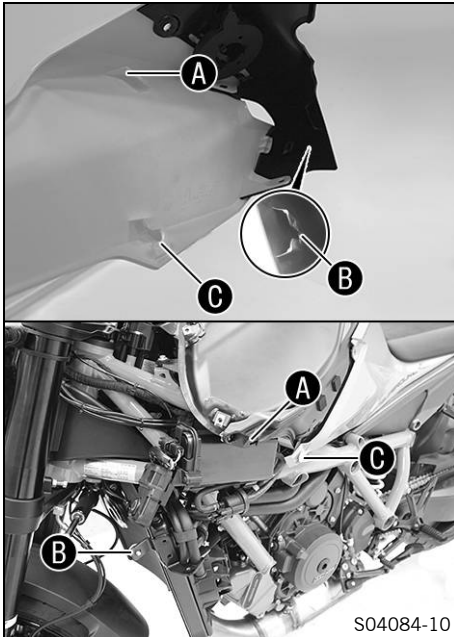


- Raise fuel tank cover ① in area ① and remove in the upward direction.

13 SERVICE WORK ON THE CHASSIS

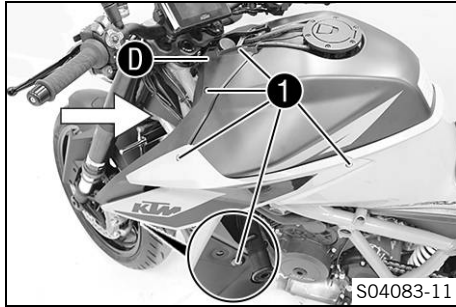


- Remove screws ②.
- Raise the fuel tank spoiler in area ⑤ and remove it toward the front.

13.13 Installing the left fuel tank spoiler

- Position the fuel tank spoiler on holding lugs **A**, **B** and **C** and slide from front to rear.

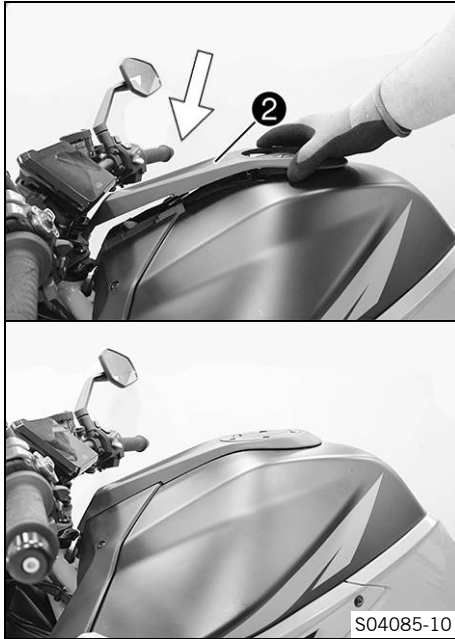
13 SERVICE WORK ON THE CHASSIS



- Press right fuel tank spoiler in the rubber bushing in area **D**.
- Mount screws **1**.

Guideline

Screw, trim	M5	3.5 Nm (2.58 lbf ft)
-------------	----	-------------------------



- Position fuel tank cover ② on the fuel tank cap and press it in from the rear to the front.



13 SERVICE WORK ON THE CHASSIS

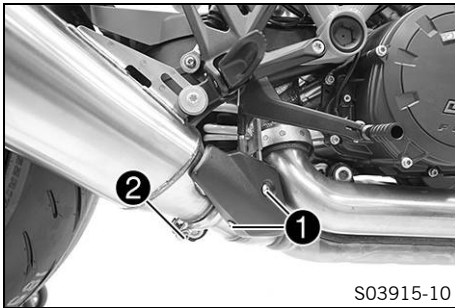
13.14 Removing the main silencer ↗



Warning

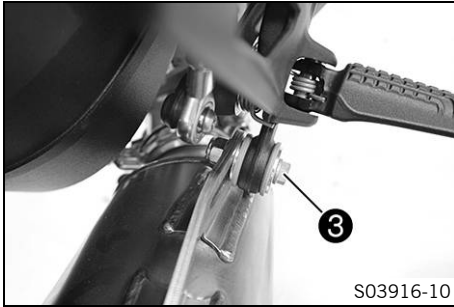
Danger of burns The exhaust system gets very hot when the vehicle is driven.

- Allow the exhaust system to cool down before performing any work on the vehicle.



S03915-10

- Remove screws **1** and take off the cover.
- Remove screw **2** and take off exhaust clamp.



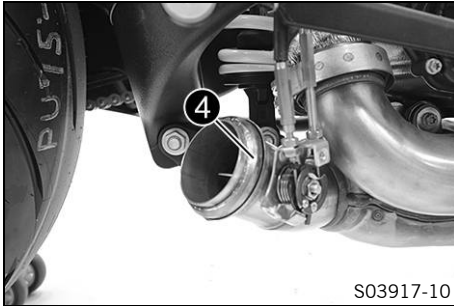
- Remove screw ③ with the washer.



Warning

Risk of injury Moving parts of the exhaust valve constitute a risk of injury.

- Do not touch the exhaust valve if the main silencer has been removed.
- Make sure that nobody gets caught when the exhaust valve is actuated.

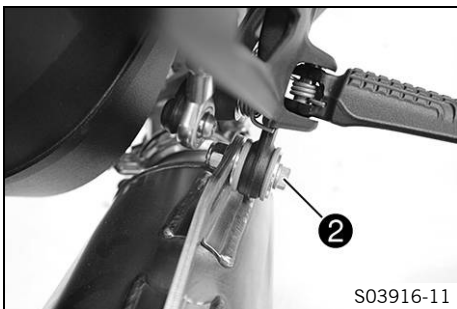
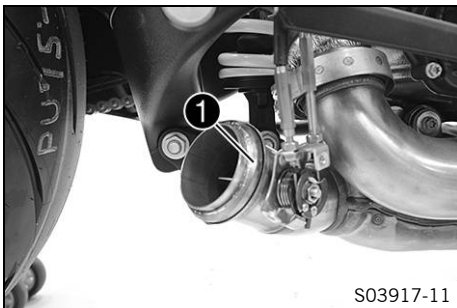


- Take off the main silencer.
- Remove seal ring ④.



13 SERVICE WORK ON THE CHASSIS

13.15 Installing the main silencer ↩

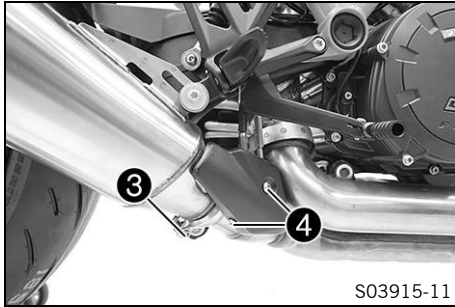


Warning

Risk of injury Moving parts of the exhaust valve constitute a risk of injury.

- Do not touch the exhaust valve if the main silencer has been removed.
- Make sure that nobody gets caught when the exhaust valve is actuated.

- Mount seal ring ①.
- Position the main silencer.
- Mount screw ② with the washer, but do not tighten yet.



- Position the exhaust clamp.
- Mount and tighten screw ③.

Guideline

Screw, exhaust clamp on main silencer	M6	8 Nm (5.9 lbf ft)
---------------------------------------	----	-------------------

- Tighten screw ②.

Guideline

Remaining screws, chassis	M8	25 Nm (18.4 lbf ft)
---------------------------	----	---------------------

- Position the cover.
- Tighten screws ④.

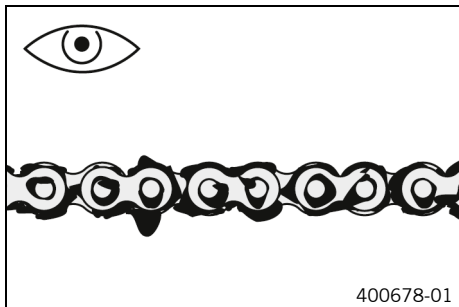
Guideline

Screw, heat guard on main silencer	M5	4 Nm (3 lbf ft)
------------------------------------	----	-----------------



13 SERVICE WORK ON THE CHASSIS

13.16 Checking the chain for dirt



- Check the chain for coarse dirt accumulation.
 - » If the chain is very dirty:
 - Clean the chain. (📖 p. 212)

13.17 Cleaning the chain



Warning

Danger of accidents Lubricants on the tires reduces the road grip.

- Remove lubricants from the tires using a suitable cleaning agent.



Warning

Danger of accidents Oil or grease on the brake discs reduces the braking effect.

- Always keep the brake discs free of oil and grease.
- Clean the brake discs with brake cleaner when necessary.



Note

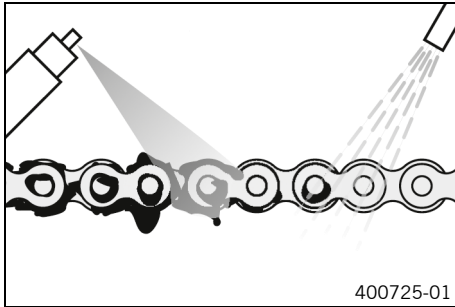
Environmental hazard Hazardous substances cause environmental damage.

- Dispose of oils, grease, filters, fuel, cleaning agents, brake fluid, etc., correctly and in compliance with the applicable regulations.



Info

The service life of the chain depends largely on its maintenance.
Regular cleaning increases the service life of the chain.



Preparatory work

- Lift the motorcycle with the rear lifting gear. (📖 p. 191)

Main work

- Rinse off loose dirt with a soft jet of water.
- Remove old grease residue with chain cleaner.

Chain cleaner (📖 p. 331)

- After drying, apply chain spray.

Street chain spray (📖 p. 332)

Finishing work

- Remove the rear of the motorcycle from the lifting gear. (📖 p. 191)



13.18 Checking the chain tension



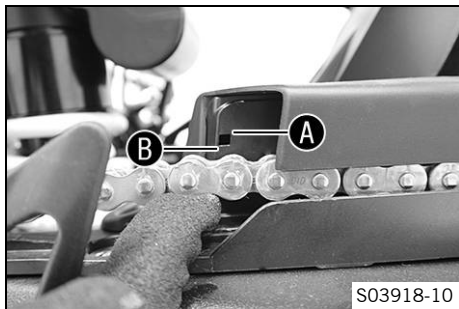
Warning

Danger of accidents Incorrect chain tension damages components and results in accidents.

If the chain is tensioned too much, the chain, engine sprocket, rear sprocket, transmission and rear wheel bearings wear more quickly. Some components may break if overloaded.

If the chain is too loose, the chain may fall off the engine sprocket or the rear sprocket. As a result, the rear wheel locks or the engine will be damaged.

- Check the chain tension regularly.
- Set the chain tension in accordance with the specification.



Preparatory work

- Lift the motorcycle with the rear lifting gear. (🛠️ p. 191)

Main work

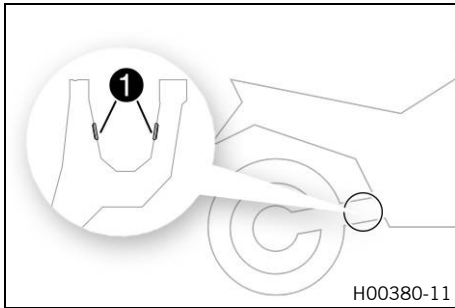
- Shift the transmission into neutral.
- At the chain sliding guard in the area of markings **A** and **B**, push the chain upward and determine the chain tension.



Info

The lower chain section must be taut.
Chain wear is not always even, so you should repeat this measurement at different chain positions.

The upper edge of the chain is located between markings **A** and **B**.



- » If the chain tension does not meet the specification:
 - Adjust the chain tension. (📖 p. 216)
- Check protection caps **1** for damage and tightness.
 - » If the protection caps are damaged or loose:
 - Replace the protection caps.

Link fork protection cap (61304041100)

Finishing work

- Remove the rear of the motorcycle from the lifting gear. (📖 p. 191)



13.19 Adjusting the chain tension



Warning

Danger of accidents Incorrect chain tension damages components and results in accidents.

If the chain is tensioned too much, the chain, engine sprocket, rear sprocket, transmission and rear wheel bearings wear more quickly. Some components may break if overloaded.

If the chain is too loose, the chain may fall off the engine sprocket or the rear sprocket. As a result, the rear wheel locks or the engine will be damaged.

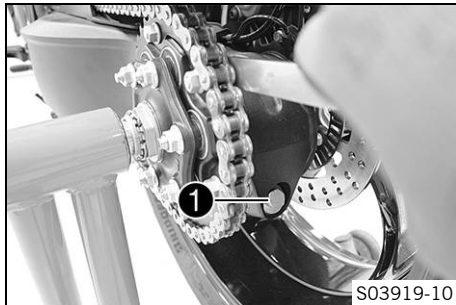
- Check the chain tension regularly.
- Set the chain tension in accordance with the specification.

Preparatory work

- Lift the motorcycle with the rear lifting gear. (📖 p. 191)
- Check the chain tension. (📖 p. 214)

Main work

- Loosen screw ❶.
- Set the chain tension by turning the hub housing.



Holding wrench (61329085000)

Handle for holding wrench (60012060000)



Info

Turn clockwise to increase the chain tension; turn counterclockwise to reduce the chain tension. The tool required is in the tool set.

- Check the chain tension. (📖 p. 214)
- ✓ The chain tension matches the specified value.



Info

Chain wear is not always even, so you should repeat this measurement at different chain positions.

- Tighten screw ①.

Guideline

Screw, eccentric	M16	70 Nm (51.6 lbf ft)
------------------	-----	---------------------

- Remove the rear of the motorcycle from the lifting gear. (📖 p. 191)

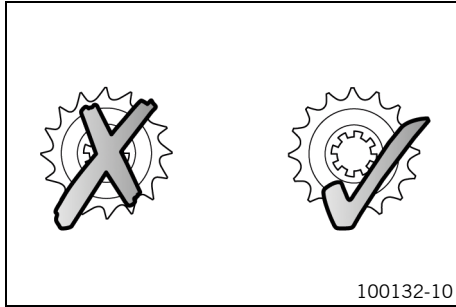


13.20 Checking the chain, rear sprocket, engine sprocket, and chain guide

Preparatory work

- Lift the motorcycle with the rear lifting gear. (📖 p. 191)

13 SERVICE WORK ON THE CHASSIS



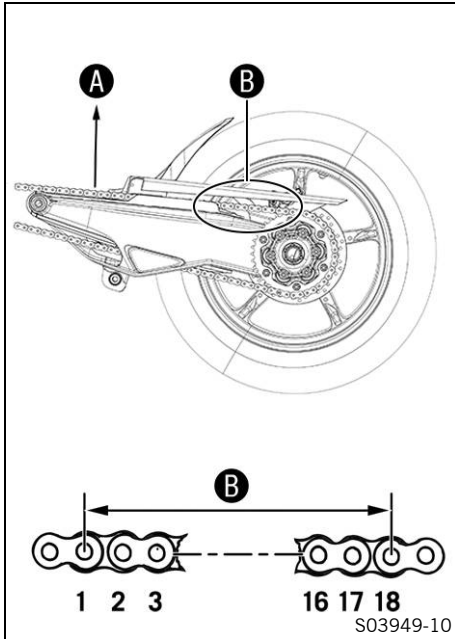
Main work

- Check the chain, rear sprocket, and engine sprocket for wear.
 - » If the chain, rear sprocket or motor sprocket is worn:
 - Change the drivetrain kit. 🛠️



Info

The engine sprocket, the rear sprocket, and the chain should always be replaced together.



- Shift the transmission into neutral.
- Pull on the top section of the chain with the specified weight **A**.

Guideline

Weight, chain wear measurement	15 kg (33 lb.)
--------------------------------	----------------

- Measure distance **B** of 18 chain rollers in the upper chain section.



Info

Chain wear is not always even, so you should repeat this measurement at different chain positions.

Maximum distance B from 18 chain rollers at the longest chain section	272 mm (10.71 in)
--	-------------------

- » If distance **B** is greater than the specified measurement:
 - Change the drivetrain kit. 🛠️

13 SERVICE WORK ON THE CHASSIS



Info

When a new chain is mounted, the rear sprocket and the engine sprocket should also be changed.

New chains wear out faster on an old, worn rear sprocket or engine sprocket.

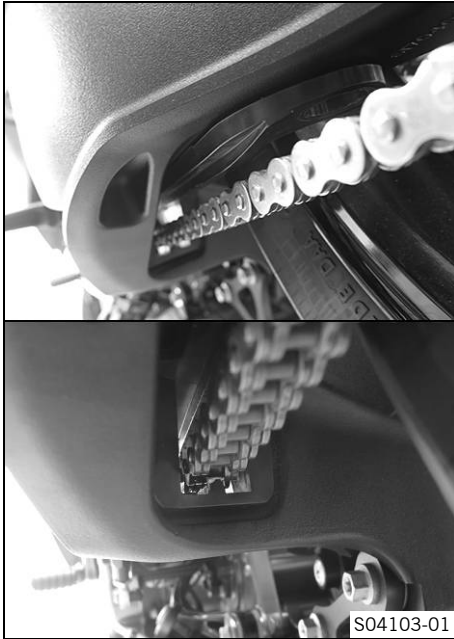
For safety reasons, the chain has no chain joint.



- Check the chain sliding guard for wear.
 - » If the chain sliding guard shows a lot of wear:
 - Change the chain sliding guard. 🛠️
- Check that the chain sliding guard is firmly seated.
 - » If the chain sliding guard is loose:
 - Tighten screws on the chain sliding guard.

Guideline

Screw, chain sliding guard	M5	5 Nm (3.7 lbf ft)
----------------------------	----	-------------------



- Check the chain sliding piece for wear.
 - » If the lower edge of the chain is in line with or below the chain sliding piece:
 - Change the chain sliding piece. 🛠️
- Check that the chain sliding piece is firmly seated.
 - » If the chain sliding piece is loose:
 - Tighten screw on the chain sliding piece.

Guideline

Remaining screws, chassis	M8	25 Nm (18.4 lbf ft)
------------------------------	----	------------------------

Finishing work

- Remove the rear of the motorcycle from the lifting gear.
(📖 p. 191)



13.21 Checking/correcting the fluid level of the hydraulic clutch



Warning

Skin irritation Brake fluid causes skin irritation.

- Keep brake fluid out of the reach of children.
- Wear suitable protective clothing and safety glasses.
- Do not allow brake fluid to come into contact with the skin, the eyes or clothing.
- Consult a doctor immediately if brake fluid has been swallowed.
- Rinse the affected area with plenty of water in the event of contact with the skin.
- Rinse eyes thoroughly with water immediately and consult a doctor if brake fluid comes into contact with the eyes.
- If brake fluid spills on to your clothing, change the clothing.



Note

Environmental hazard Hazardous substances cause environmental damage.

- Dispose of oils, grease, filters, fuel, cleaning agents, brake fluid, etc., correctly and in compliance with the applicable regulations.



Info

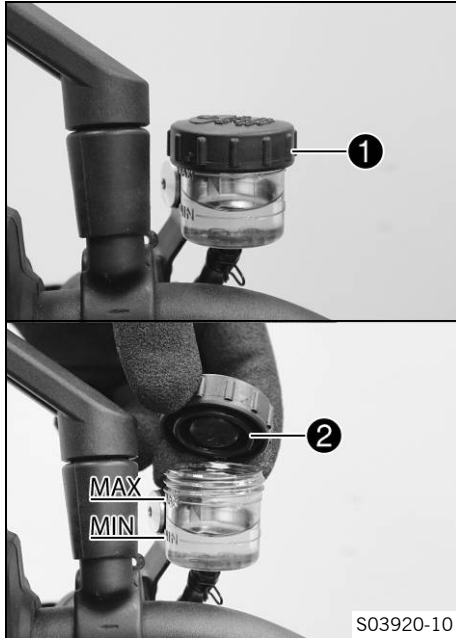
The fluid level rises with increasing wear of the clutch facing discs.

Never use DOT 5 brake fluid. It is silicone-based and purple in color. Oil seals and clutch lines are not designed for DOT 5 brake fluid.

Avoid contact between brake fluid and painted parts. Brake fluid attacks paint.

Only use clean brake fluid from a sealed container.

13 SERVICE WORK ON THE CHASSIS



- Move the clutch fluid reservoir mounted on the handlebar to a horizontal position.
- Check the fluid level.

The fluid level must be between **MIN** and **MAX** markings.

- » If the fluid level does not meet specifications:
 - Remove screw cap **1** with membrane **2** and the shim.
 - Correct the fluid level of the hydraulic clutch.

Brake fluid DOT 4 / DOT 5.1 (📖 p. 327)

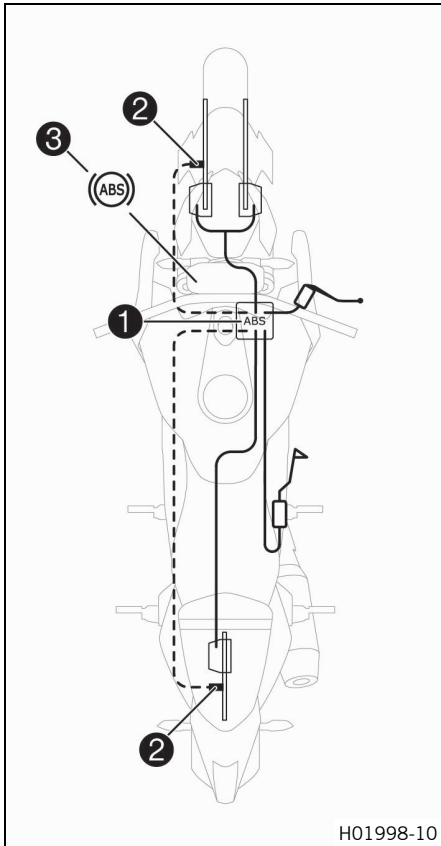
- Mount and tighten screw cap **1** with membrane **2** and the shim.



Info

Clean up overflowed or spilled brake fluid immediately with water.

14.1 Anti-lock braking system (ABS)



The ABS unit **1**, which consists of a hydraulic unit, ABS control unit, and return pump, is installed on the right vehicle side below the fuel tank. One wheel speed sensor **2** is located in each case on the front and the rear wheel.



Warning

Danger of accidents Changes to the vehicle impair the function of the ABS.

- Only allow the rear wheel to spin with the front brake applied away from public road traffic if the ABS is switched off.
- Do not make any changes to the suspension travel.
- Only use spare parts on the brake system which have been approved and recommended by KTM.
- Only use tires/wheels approved by KTM with the corresponding speed index.
- Maintain specified tire pressure.
- Ensure that service work and repairs are performed professionally. (Your authorized KTM workshop will be glad to help.)

The ABS is a safety system that, within physical limitations, can prevent locking and slipping of the wheels during braking.



Warning

Danger of accidents Driving aids can only prevent a rollover within the physical limitations.

It is not always possible to compensate for extreme riding situations, for example with luggage loaded with a high center of gravity, varying road surfaces, steep descents or full braking without disengaging the gear.

- Adapt your riding style to the road conditions and your driving ability.

ABS has two operating modes, the **Road** ABS mode and ABS mode **Supermoto**.

In the **Road** ABS mode, the ABS controls both wheels.

In ABS mode **Supermoto**, the ABS only controls the front wheel. There is no ABS control on the rear wheel. The ABS warning lamp **3** flashes slowly to remind you that the **Supermoto** ABS mode is enabled.




Info

In the **Supermoto** ABS mode, the rear wheel may lock and there is a risk of falling.

The ABS operates with two independent brake circuits (front and rear brakes). When the ABS control unit detects a locking tendency in a wheel, ABS begins regulating the brake pressure. The

control function causes a slight pulsing of the hand and foot brake levers.

The ABS warning lamp  must light up after the ignition is switched on and go out after starting off. If it does not go out after starting off or if it is lit while riding, this indicates a fault in the ABS system. In this case, the ABS is no longer enabled and the wheels may lock during braking. The brake system itself stays functional; only ABS control is not available.

The ABS warning lamp may also light up if the rotating speeds of the front and rear wheels differ greatly under extreme riding conditions, for example when making "wheelies" or if the rear wheel spins. This causes the ABS to switch off.

To reactivate the ABS, stop the vehicle and switch off the ignition. The ABS is reactivated when the vehicle is switched on again. The ABS warning lamp goes out after starting off.

MSC

The **MSC** is a supplementary function for the ABS that can prevent blocking and slipping of the wheels during braking when the vehicle is inclined (riding in curves) within the physical limitations. By means of the inclination sensor, ABS control is now dependent on the inclination and pitch angle.



Info

The **MSC** is only active in **Road** ABS mode.

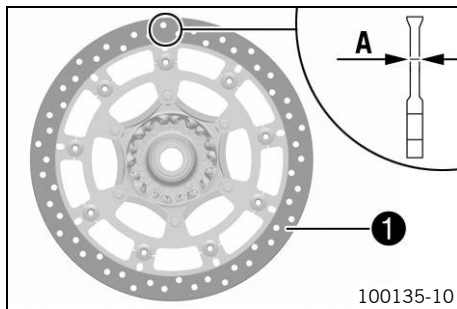
14.2 Checking the brake discs



Warning

Danger of accidents Worn-out brake discs reduce the braking effect.

- Make sure that worn-out brake discs are replaced immediately. (Your authorized KTM workshop will be glad to help.)



- Check the front and rear brake disc thickness at multiple points for the dimension **A**.

Info

Wear will reduce the thickness of the brake disc at contact surface **1** of the brake linings.

Brake discs - wear limit

front	4.5 mm (0.177 in)
rear	4.5 mm (0.177 in)

- » If the brake disc thickness is less than the specified value:
 - Change the front brake discs. 🛠️
 - Change the rear brake disc. 🛠️
- Check the front and rear brake discs for damage, cracking, and deformation.

- » If the brake disc exhibits damage, cracking, or deformation:
 - Change the front brake discs. 🛠️
 - Change the rear brake disc. 🛠️



14.3 Checking the front brake fluid level



Warning

Danger of accidents An insufficient brake fluid level will cause the brake system to fail.

If the brake fluid level drops below the **MIN** marking, the brake system is leaking or the brake linings are worn down.

- Check the brake system and do not continue riding until the problem is eliminated. (Your authorized KTM workshop will be glad to help.)

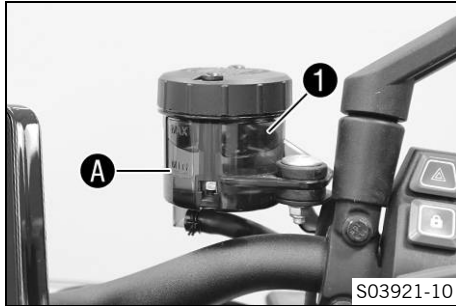


Warning

Danger of accidents Old brake fluid reduces the braking effect.

- Make sure that brake fluid for the front and rear brake is changed in accordance with the service schedule. (Your authorized KTM workshop will be glad to help.)

14 BRAKE SYSTEM



- Move the brake reservoir mounted on the handlebar to a horizontal position.
- Check the brake fluid level in brake fluid reservoir ①.
 - » If the brake fluid level has dropped below **MIN** marking ②:
 - Add front brake fluid. 🐾 (📖 p. 230)

14.4 Adding front brake fluid 🐾



Warning

Danger of accidents An insufficient brake fluid level will cause the brake system to fail.

If the brake fluid level drops below the **MIN** marking, the brake system is leaking or the brake linings are worn down.

- Check the brake system and do not continue riding until the problem is eliminated. (Your authorized KTM workshop will be glad to help.)

**Warning**

Skin irritation Brake fluid causes skin irritation.

- Keep brake fluid out of the reach of children.
- Wear suitable protective clothing and safety glasses.
- Do not allow brake fluid to come into contact with the skin, the eyes or clothing.
- Consult a doctor immediately if brake fluid has been swallowed.
- Rinse the affected area with plenty of water in the event of contact with the skin.
- Rinse eyes thoroughly with water immediately and consult a doctor if brake fluid comes into contact with the eyes.
- If brake fluid spills on to your clothing, change the clothing.

**Warning**

Danger of accidents Old brake fluid reduces the braking effect.

- Make sure that brake fluid for the front and rear brake is changed in accordance with the service schedule. (Your authorized KTM workshop will be glad to help.)

**Note**

Environmental hazard Hazardous substances cause environmental damage.

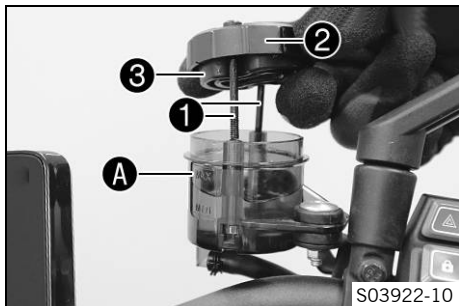
- Dispose of oils, grease, filters, fuel, cleaning agents, brake fluid, etc., correctly and in compliance with the applicable regulations.
-

i Info

Never use DOT 5 brake fluid. It is silicone-based and purple in color. Oil seals and brake lines are not designed for DOT 5 brake fluid.

Avoid contact between brake fluid and painted parts. Brake fluid attacks paint.

Only use clean brake fluid from a sealed container.



Preparatory work

- Check the front brake linings. (📖 p. 233)

Main work

- Move the brake reservoir mounted on the handlebar to a horizontal position.
- Remove screws ①.
- Take off cover ② with membrane ③.
- Add brake fluid up to **MAX** marking ④.

Brake fluid DOT 4 / DOT 5.1 (📖 p. 327)

- Position cover ② with membrane ③.
- Mount and tighten screws ①.

i Info

Clean up overflowed or spilled brake fluid immediately with water.

14.5 Checking the front brake linings



Warning

Danger of accidents Worn-out brake linings reduce the braking effect.

- Ensure that worn-out brake linings are replaced immediately. (Your authorized KTM workshop will be glad to help.)

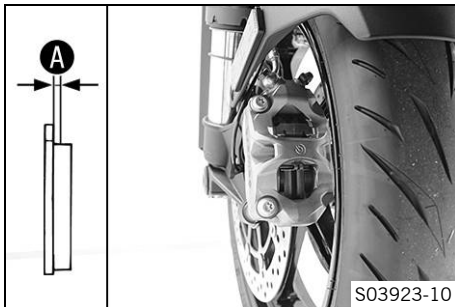


Warning

Danger of accidents Damaged brake discs reduce the braking effect.

If the brake linings are not changed in time, the brake lining carriers grind against the brake disc. As a consequence, the braking effect is greatly reduced and the brake discs are destroyed.

- Check the brake linings regularly.



- Check all brake linings on both brake calipers to ensure they have the minimum thickness **A**.

Minimum thickness A	$\geq 1 \text{ mm } (\geq 0.04 \text{ in})$
----------------------------	---

- » If the minimum thickness is less than specified:
 - Change the front brake linings. 🛠️
- Check all brake linings on both brake calipers for damage and cracking.
 - » If there is damage or cracking:
 - Change the front brake linings. 🛠️



14.6 Checking the rear brake fluid level



Warning

Danger of accidents An insufficient brake fluid level will cause the brake system to fail.

If the brake fluid level drops below the **MIN** marking, the brake system is leaking or the brake linings are worn down.

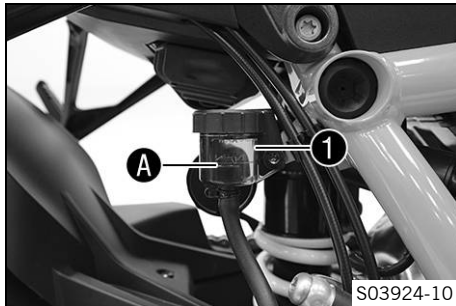
- Check the brake system and do not continue riding until the problem is eliminated. (Your authorized KTM workshop will be glad to help.)



Warning

Danger of accidents Old brake fluid reduces the braking effect.

- Make sure that brake fluid for the front and rear brake is changed in accordance with the service schedule. (Your authorized KTM workshop will be glad to help.)



- Stand the vehicle upright.
- Check the brake fluid level in brake fluid reservoir **1**.
 - » If the fluid level reaches the **MIN** marking **A**:
 - Add rear brake fluid. 🛠️ (📖 p. 235)

14.7 Adding rear brake fluid ↴



Warning

Danger of accidents An insufficient brake fluid level will cause the brake system to fail.

If the brake fluid level drops below the **MIN** marking, the brake system is leaking or the brake linings are worn down.

- Check the brake system and do not continue riding until the problem is eliminated. (Your authorized KTM workshop will be glad to help.)



Warning

Skin irritation Brake fluid causes skin irritation.

- Keep brake fluid out of the reach of children.
- Wear suitable protective clothing and safety glasses.
- Do not allow brake fluid to come into contact with the skin, the eyes or clothing.
- Consult a doctor immediately if brake fluid has been swallowed.
- Rinse the affected area with plenty of water in the event of contact with the skin.
- Rinse eyes thoroughly with water immediately and consult a doctor if brake fluid comes into contact with the eyes.
- If brake fluid spills on to your clothing, change the clothing.



Warning

Danger of accidents Old brake fluid reduces the braking effect.

- Make sure that brake fluid for the front and rear brake is changed in accordance with the service schedule. (Your authorized KTM workshop will be glad to help.)



Note

Environmental hazard Hazardous substances cause environmental damage.

- Dispose of oils, grease, filters, fuel, cleaning agents, brake fluid, etc., correctly and in compliance with the applicable regulations.



Info

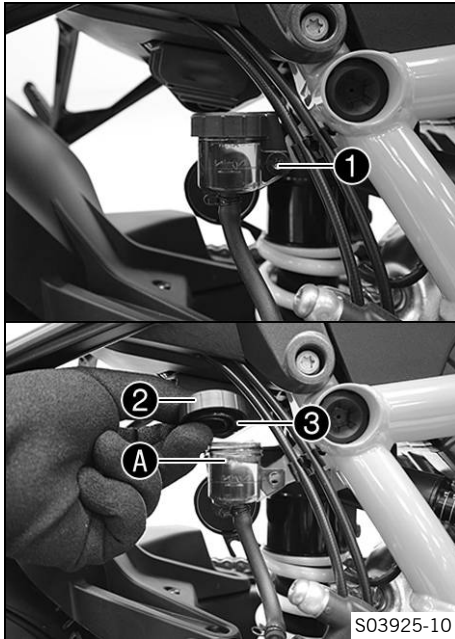
Never use DOT 5 brake fluid. It is silicone-based and purple in color. Oil seals and brake lines are not designed for DOT 5 brake fluid.

Avoid contact between brake fluid and painted parts. Brake fluid attacks paint.

Only use clean brake fluid from a sealed container.

Preparatory work

- Check the brake linings of the rear brake. (📖 p. 238)



Main work

- Position the vehicle upright.
- Remove screw **1** with the screw cap lock.



Info

Make sure that the reservoir stays vertical and no brake fluid runs out.

- Remove screw cap **2** with the washer and membrane **3**.
- Add brake fluid up to the **MAX** marking **A**.

Brake fluid DOT 4 / DOT 5.1 (📖 p. 327)

- Mount and tighten screw cap **2** with the shim and membrane **3**.
- Position the screw cap lock and mount and tighten screw **1**.

Guideline

Screw, brake fluid reservoir, rear brake	M5	3.5 Nm (2.58 lbf ft) Loctite®243™
--	----	---



Info

Use water to immediately clean up any brake fluid that has overflowed or spilled.

14.8 Checking the brake linings of the rear brake



Warning

Danger of accidents Worn-out brake linings reduce the braking effect.

- Ensure that worn-out brake linings are replaced immediately. (Your authorized KTM workshop will be glad to help.)

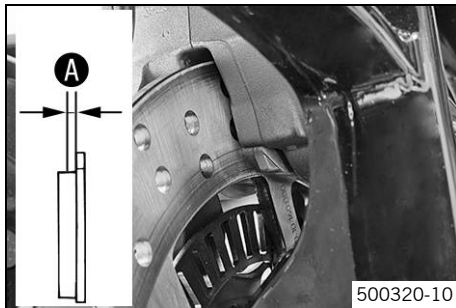


Warning

Danger of accidents Damaged brake discs reduce the braking effect.

If the brake linings are not changed in time, the brake lining carriers grind against the brake disc. As a consequence, the braking effect is greatly reduced and the brake discs are destroyed.

- Check the brake linings regularly.



- Check the brake linings for minimum thickness **A**.

Minimum thickness A	$\geq 1 \text{ mm } (\geq 0.04 \text{ in})$
----------------------------	---

- » If the minimum thickness is less than specified:
 - Change the rear brake linings. 🛠️
- Check the brake linings for damage and cracking.
 - » If there is damage or cracking:
 - Change the rear brake linings. 🛠️

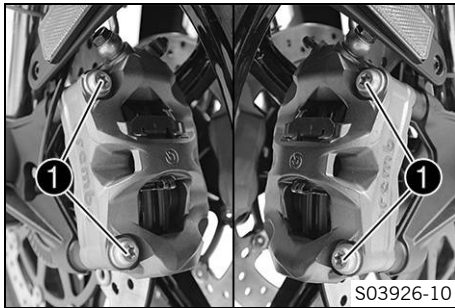
15.1 Removing the front wheel ↩

Preparatory work

- Lift the motorcycle with the rear lifting gear. (📖 p. 191)
- Lift the motorcycle with the front lifting gear. (📖 p. 192)

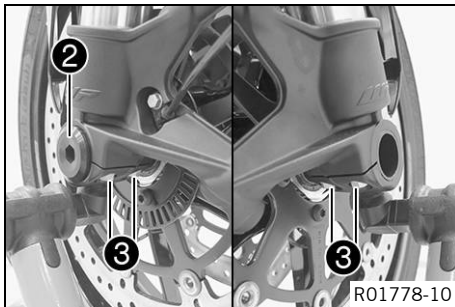
Main work

- Remove screws ❶ from both brake calipers.
- Press back the brake linings by slightly tilting the brake calipers laterally on the brake disc. Pull the brake calipers carefully back from the brake discs and hang to the side.



Info

Do not operate the hand brake lever if the brake calipers have been removed.



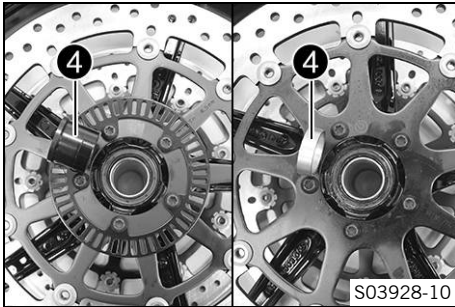
- Loosen screw ❷ and screws ❸.
- Unscrew screw ❷ about six turns and press your hand on the screw to push the wheel spindle out of the axle clamp. Remove screw ❷.



Warning

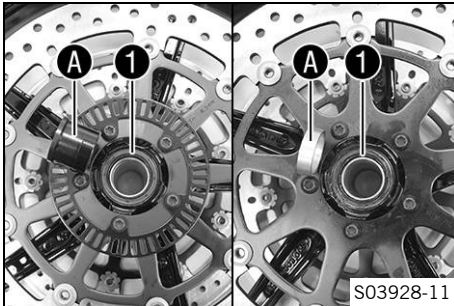
Danger of accidents Damaged brake discs reduce the braking effect.


- Always lay the wheel down in such a way that the brake discs are not damaged.




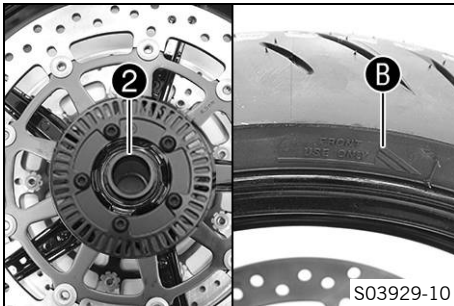
- Hold the front wheel and remove the wheel spindle. Take the front wheel out of the fork.
- Remove spacers (4).

15.2 Installing the front wheel



- Check the wheel bearing for damage and wear.
 - » If the wheel bearing is damaged or worn:
 - Change front wheel bearing. 
- Clean and grease shaft seal rings **1** and contact surfaces **A** of the spacers.

Long-life grease ( p. 331)



- Insert wide spacer **2** on the left in the direction of travel.



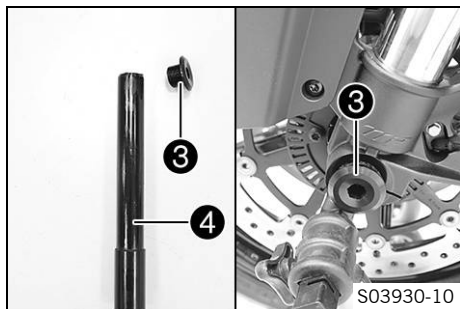
Info

Arrow **B** indicates the direction of travel of the front wheel.

The wheel speed sensor wheel is on the left viewed in the direction of travel.

- Insert the narrow spacer on the right in the direction of travel.

15 WHEELS, TIRES



Warning

Danger of accidents Oil or grease on the brake discs reduces the braking effect.

- Always keep the brake discs free of oil and grease.
- Clean the brake discs with brake cleaner when necessary.

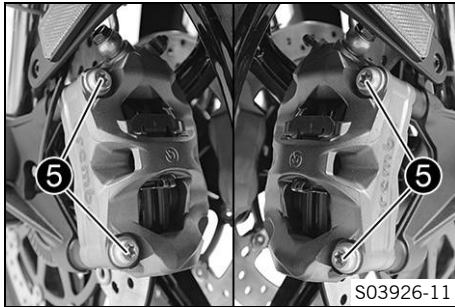
- Clean screw ③ and wheel spindle ④.
- Grease wheel spindle ④ lightly.

Long-life grease (🛢️ p. 331)

- Jack up the front wheel into the fork, position it, and insert the wheel spindle.
- Mount and tighten screw ③.

Guideline

Screw, front wheel spindle	M25x1.5	45 Nm (33.2 lbf ft) Thread greased
----------------------------	---------	---------------------------------------



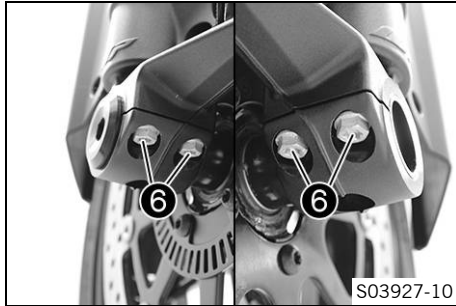
- Position brake calipers and check that the brake linings are seated correctly.
- Mount screws ⑤ on both brake calipers but do not tighten yet.
- Operate the hand brake lever repeatedly until the brake linings are in contact with the brake disc and there is a pressure point. Secure the hand brake lever in the activated position.
 - ✓ The brake calipers straighten.
- Tighten screws ⑤ on both brake calipers.

Guideline

Screw, front brake caliper	M10	45 Nm (33.2 lbf ft) Loctite®243™
-------------------------------	-----	--

- Remove the locking piece of the hand brake lever.
- Take the motorcycle off the front lifting gear. (📖 p. 193)
- Remove the rear of the motorcycle from the lifting gear. (📖 p. 191)

15 WHEELS, TIRES



– Operate the front brake and compress the fork a few times firmly.

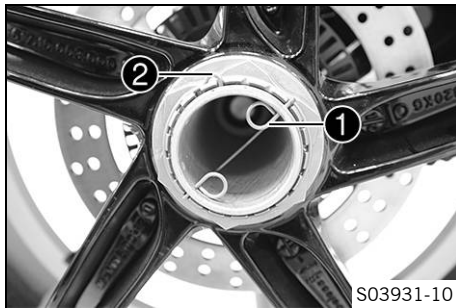
✓ The fork legs straighten.

– Tighten screws 6.

Guideline

Screw, axle clamp	M8	15 Nm (11.1 lbf ft)
-------------------	----	---------------------

15.3 Removing the rear wheel

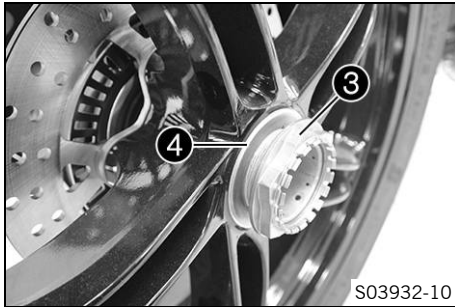


Preparatory work

- Lift the motorcycle with the rear lifting gear. (📖 p. 191)
- Remove main silencer. (🔧📖 p. 208)

Main work

- Remove inside locking wire 1.
- Remove outside locking wire 2.



- Have an assistant operate the rear brake.
- Loosen nut ③ and remove it with washer ④.
- Take off the rear wheel.



15.4 Installing the rear wheel ↩

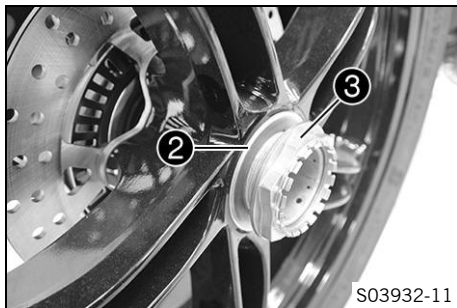
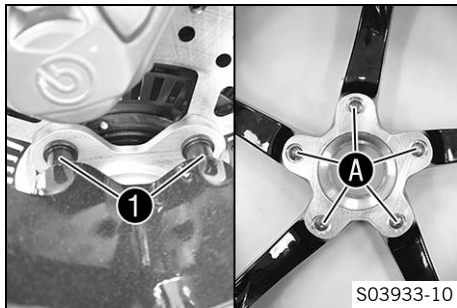


Warning

Danger of accidents Oil or grease on the brake discs reduces the braking effect.

- Always keep the brake discs free of oil and grease.
- Clean the brake discs with brake cleaner when necessary.

15 WHEELS, TIRES



Main work

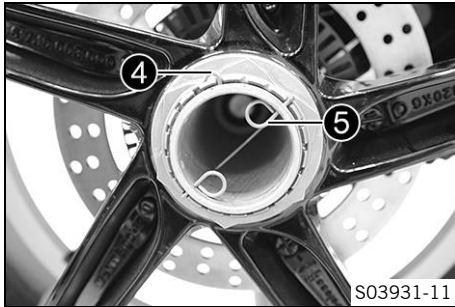
- Check the rear wheel bearing for damage and wear.
 - » If the rear wheel bearing is damaged or worn:
 - Change the rear wheel bearing. 🛠️
- Clean and grease the threads of the wheel axle and axle nut.

Long-life grease (🛢️ p. 331)

- Slide the rear wheel onto the axle.
 - ✓ Driving pins **1** engage in drilled holes **A** of the rim.
- Mount washer **2** and nut **3**.
- Have an assistant operate the rear brake.
- Tighten nut **3**.

Guideline

Nut, rear axle	M50x1.5	250 Nm (184.4 lbf ft) Thread greased/lock locking wire with locking varnish
----------------	---------	--



- Mount outside locking wire ④.
- Mount inside locking wire ⑤.
- ✓ The pins of the locking wires engage in the drilled holes of the wheel axle.

Finishing work

- Remove the rear of the motorcycle from the lifting gear. (📖 p. 191)
- Install the main silencer. 🛠️ (📖 p. 210)



15.5 Checking the tire condition



Warning

Danger of accidents If a tire bursts while riding, the vehicle becomes uncontrollable.

- Ensure that damaged or worn tires are replaced immediately. (Your authorized KTM workshop will be glad to help.)



Warning

Danger of crashing Different tire tread patterns on the front and rear wheel impair the handling characteristic.

Different tire tread patterns can make the vehicle significantly more difficult to control.

- Make sure that only tires with a similar tire tread pattern are fitted to the front and rear wheel.



Warning

Danger of accidents Non-approved or non-recommended tires and wheels impact the handling characteristic.

- Only use tires/wheels approved by KTM with the corresponding speed index.



Warning

Danger of accidents New tires have reduced road grip.

The contact surface on new tires is not yet roughened.

- Run in new tires with moderate riding at alternating angles.

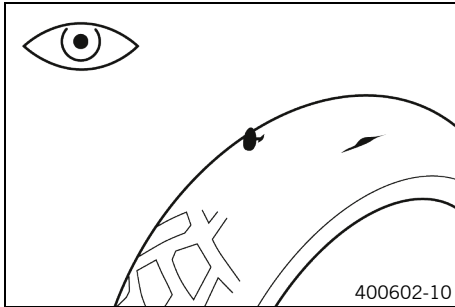
Running-in phase 200 km (124 mi)



Info

Tire type, tire condition, and tire pressure influence the braking and handling characteristics of the vehicle.

Worn tires are particularly unfavorable on wet surfaces.



- Check front and rear tires for cuts, run-in objects, and other damage.
 - » If the tires have cuts, run-in objects, or other damage:
 - Change the tires. 🛠️
- Check tread depth.

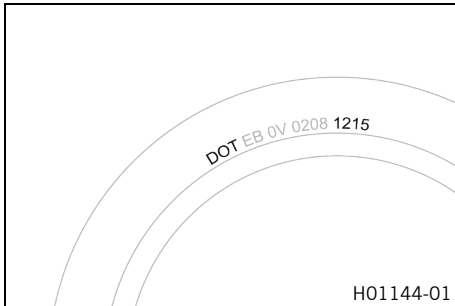


Info

Observe the minimum profile depth required by national law.

Minimum tread depth	$\geq 2 \text{ mm } (\geq 0.08 \text{ in})$
---------------------	---

- » If the tread depth is less than the minimum tread depth:
 - Change the tires. 🛠️
- Check tire age.



Info

The tire date of manufacture is usually contained in the tire label and is indicated by the last four digits of the **DOT** number. The first two digits indicate the week of manufacture and the last two digits the year of manufacture.

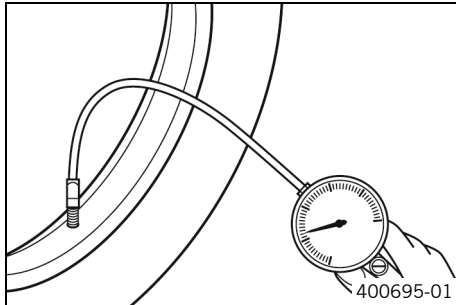
KTM recommends that the tires be changed after 5 years at the latest, regardless of the actual state of wear.

- » If the tires are more than 5 years old:
 - Change the tires. 🗑️

15.6 Checking tire pressure

i Info

Low tire pressure leads to abnormal wear and overheating of the tire.
Correct tire pressure ensures optimal riding comfort and maximum tire service life.



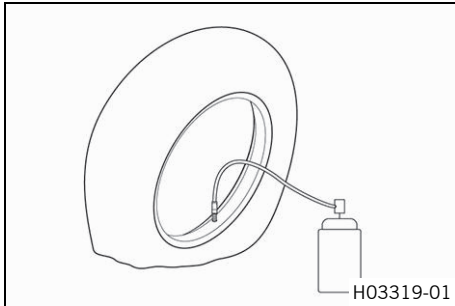
- Remove the protection cap.
- Check the tire pressure when the tires are cold.

Tire pressure when solo	
front: with cold tires	2.5 bar (36 psi)
rear: with cold tires	2.5 bar (36 psi)

Tire pressure with passenger / full payload	
front: with cold tires	2.5 bar (36 psi)
rear: with cold tires	2.9 bar (42 psi)

- » If the tire pressure does not meet specifications:
 - Correct the tire pressure.
- Mount the protection cap.

15.7 Using tire repair spray



Warning

Danger of accidents Incorrect use of tire repair spray will result in the repaired tire losing pressure.

Tire repair spray cannot be used for all types of damage.

- Observe the instructions and specifications of the manufacturer of the tire repair spray.
- After repairing a tire with tire repair spray, ride slowly and carefully.
- Ride no further than to the nearest workshop and have the tire changed.

Tire repair spray should only be used in an emergency. We recommend transporting the broken down vehicle to the nearest workshop instead of using tire repair spray.

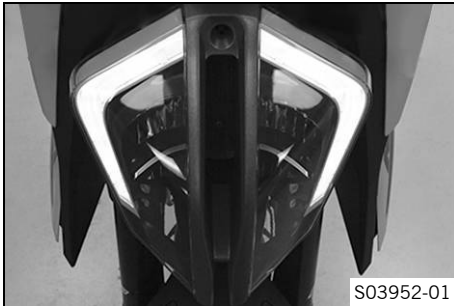
(1290 Super Duke R EU)

Note

Material damage Tire repair spray damages the tire pressure sensor.

- Note that after using tire repair spray, the tire pressure sensor may need to be replaced.

16.1 Daytime running light (DRL)



Warning

Danger of accidents When visibility is poor, the daytime running light is not a substitute for the low beam.

Automatic switching between the daytime running light and low beam may only be partially available when visibility is significantly impaired due to fog, snow or rain.

- Ensure that the appropriate type of lighting is always selected.
- If necessary switch off the daytime running lights using the menu before going on a ride or when stopped so that the low beam is switched on permanently.
- Note the legal regulations regarding the daytime running light.

The daytime running (DRL)/position light is integrated in the main headlight. The daytime running light is brighter than the position light.

The daytime running light must only be switched on when visibility conditions are good.

This is controlled by the ambient light sensor in the combination instrument. When visibility conditions are good, the low beam

with position light is switched off and the daytime running light is switched on.

When the daytime running light is switched off, the low beam with position light lights up.

On high beam or headlight flasher, the daytime running light changes automatically to the position light.

16.2 Removing the 12-V battery ↩



Warning

Risk of injury Battery acid and battery gases cause serious chemical burns.

- Keep 12 V batteries out of the reach of children.
- Wear suitable protective clothing and safety glasses.
- Avoid contact with battery acid and battery gases.
- Keep sparks or open flames away from the 12 V battery.
- Only charge 12 V batteries in well-ventilated rooms.
- Rinse the affected area immediately with plenty of water in the event of contact with the skin.
- Rinse eyes with water for at least 15 minutes and consult a doctor immediately if battery acid and battery gases get into the eyes.



Caution

Danger of accidents Electronic components and safety devices will be damaged if the 12-V battery is discharged or missing.

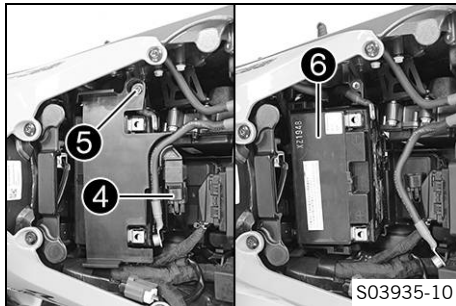
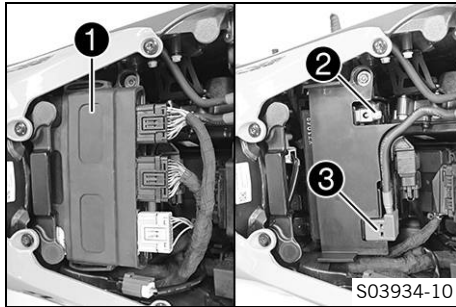
- Never operate the vehicle with a discharged 12-V battery or without a 12-V battery.

Preparatory work

- Remove the passenger seat. (📖 p. 199)
- Remove the front rider's seat. (📖 p. 201)

Main work

- Remove control unit **1** and hang to the side.
- Disconnect negative cable **2** from the 12-V battery.
- Remove positive terminal cover **3** and disconnect the positive cable from the 12-V battery.
- Disconnect connector **4**.
- Remove screw **5** and take off the battery cover.
- Take the 12-V battery **6** out of the battery compartment.



16.3 Installing the 12-V battery ↗



Warning

Risk of injury Battery acid and battery gases cause serious chemical burns.

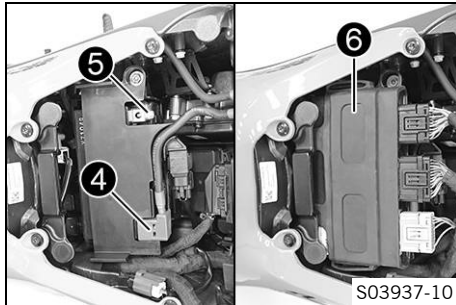
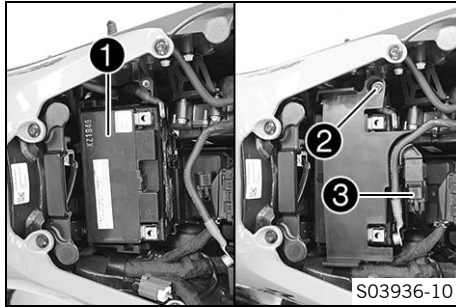
- Keep 12 V batteries out of the reach of children.
- Wear suitable protective clothing and safety glasses.
- Avoid contact with battery acid and battery gases.
- Keep sparks or open flames away from the 12 V battery.
- Only charge 12 V batteries in well-ventilated rooms.
- Rinse the affected area immediately with plenty of water in the event of contact with the skin.
- Rinse eyes with water for at least 15 minutes and consult a doctor immediately if battery acid and battery gases get into the eyes.



Caution

Danger of accidents Electronic components and safety devices will be damaged if the 12-V battery is discharged or missing.

- Never operate the vehicle with a discharged 12-V battery or without a 12-V battery.



Main work

- Insert 12-V battery **1** into the battery compartment.

12-V battery (YTX14-BS) (📖 p. 313)

- Position the battery cover, mount screw **2**, and tighten.

Guideline

Remaining screws, chassis	M5	5 Nm (3.7 lbf ft)
---------------------------	----	-------------------

- Join connector **3**.

- Position the positive cable and mount and tighten the screw.

Guideline

Screw, battery terminal	M6	4.5 Nm (3.32 lbf ft)
-------------------------	----	-------------------------

- Mount positive terminal cover **4**.

- Position negative cable **5** and mount and tighten the screw.

Guideline

Screw, battery terminal	M6	4.5 Nm (3.32 lbf ft)
-------------------------	----	-------------------------

- Position control unit **6**.

Finishing work

- Mount the front rider's seat. (📖 p. 202)
- Mount the passenger seat. (📖 p. 200)

- Set time and date.



16.4 Charging the 12-V battery ↴



Warning

Risk of injury Battery acid and battery gases cause serious chemical burns.

- Keep 12 V batteries out of the reach of children.
- Wear suitable protective clothing and safety glasses.
- Avoid contact with battery acid and battery gases.
- Keep sparks or open flames away from the 12 V battery.
- Only charge 12 V batteries in well-ventilated rooms.
- Rinse the affected area immediately with plenty of water in the event of contact with the skin.
- Rinse eyes with water for at least 15 minutes and consult a doctor immediately if battery acid and battery gases get into the eyes.



Note

Environmental hazard 12 V batteries contain environmentally hazardous materials.

- Do not dispose of 12 V batteries as household waste.
- Dispose of 12 V batteries at a collection point for used batteries.



Note

Environmental hazard Hazardous substances cause environmental damage.

- Dispose of oils, grease, filters, fuel, cleaning agents, brake fluid, etc., correctly and in compliance with the applicable regulations.
-



Info

Even when there is no load on the 12-V battery, it discharges steadily each day.

The charging level and the method of charging are very important for the service life of the 12-V battery. Rapid recharging with a high charging current shortens the service life of the battery.

If the charging current, charging voltage, and charging time are exceeded, electrolyte escapes through the safety valves. This reduces the capacity of the 12-V battery.

If the 12-V battery is depleted from starting the vehicle repeatedly, the battery must be charged immediately.

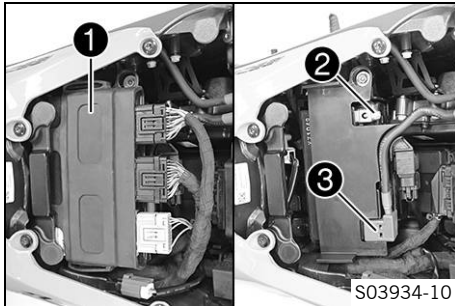
If the 12-V battery is left in a discharged state for an extended period, it will become deeply discharged and sulfating occurs, destroying the battery.

The 12-V battery is maintenance-free. The acid level does not have to be checked.

If the 12-V battery is not charged by the KTM battery charger, the 12-V battery must be removed for charging. Otherwise, overvoltage may damage electronic components. Charge the 12-V battery according to the instructions on the battery housing.

Preparatory work

- Remove the passenger seat. (📖 p. 199)
- Remove the front rider's seat. (📖 p. 201)



Main work

- Remove control unit **1** and hang to the side.
- Disconnect negative cable **2** of the 12-V battery to avoid damaging the onboard electronics.
- Remove positive terminal cover **3**.



- Connect the battery charger to the 12-V battery. Switch on the battery charger.

Battery charger (58429074000)

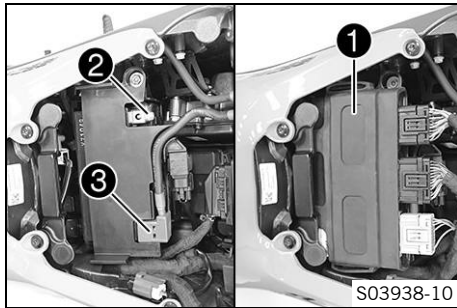
You can also use the battery charger to test the open-circuit voltage and starting ability of the 12-V battery, and to test the alternator. In addition, you cannot overcharge the 12-V battery with this device.



Info

Charge the 12-V battery to a maximum of 10 % of the capacity specified on the battery housing.

- Switch off the battery charger after charging and disconnect from the 12-V battery.



Guideline

The charging current, charging voltage, and charging time must not be exceeded.

Recharge the 12-V battery regularly when the motorcycle is not being used

3 months

- Mount positive terminal cover **3**.
- Position negative cable **2** and mount and tighten the screw.

Guideline

Screw, battery terminal

M6

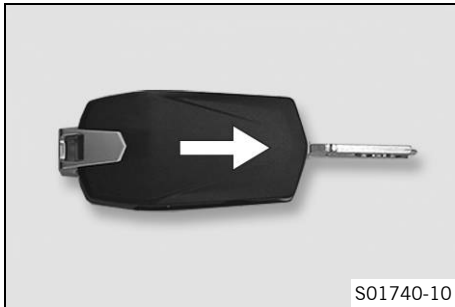
4.5 Nm
(3.32 lbf ft)

- Position control unit **1**.

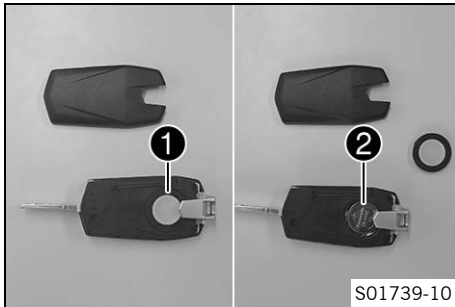
Finishing work

- Mount the front rider's seat. (📖 p. 202)
- Mount the passenger seat. (📖 p. 200)
- Set time and date.

16.5 Changing the RACE-ON key battery



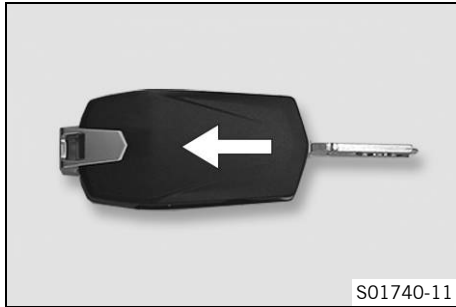
- Fold out the key bit of the RACE-ON key.
- Push lower half of the RACE-ON key in the direction of the arrow and take off.



- Remove battery cover ①.
- Remove RACE-ON key battery ②.
- Insert new the RACE-ON key battery with label facing upward.

RACE-ON key battery (CR 2032) (📄 p. 313)

- Mount battery cover ①.



- Fit lower half of the RACE-ON key and snap into place in the direction of the arrow.

16.6 Changing the main fuse



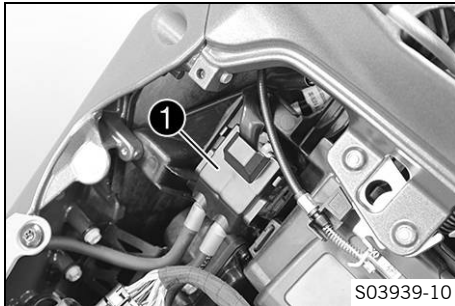
Warning

Fire hazard Incorrect fuses overload the electrical system.

- Only use fuses with the required ampere value.
- Do not bypass or repair fuses.

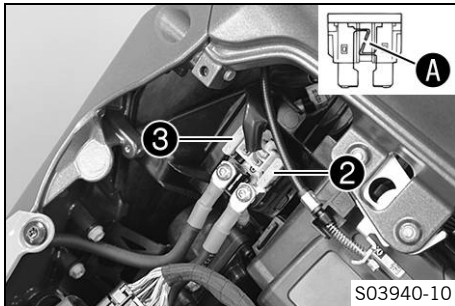
Preparatory work

- Remove the passenger seat. (📖 p. 199)
- Remove the front rider's seat. (📖 p. 201)



Main work

- Take off protection cap ①.



- Remove faulty main fuse ②.

i Info

A faulty fuse has a burned-out fuse wire **A**.

A spare fuse ③ is located in the starter relay.

The main fuse ② protects all power consumers of the vehicle.

- Insert a new main fuse.

Fuse (58011109130) (📖 p. 314)

- Check that the electrical system is functioning properly.
- Mount protection caps ①.



Tip

Insert a new spare fuse into the starter relay to have it available when needed.

Finishing work

- Mount the front rider's seat. (📖 p. 202)
- Mount the passenger seat. (📖 p. 200)
- Set time and date.

16.7 Changing the fuses in the fuse box



Warning

Fire hazard Incorrect fuses overload the electrical system.

- Only use fuses with the required ampere value.
 - Do not bypass or repair fuses.
-

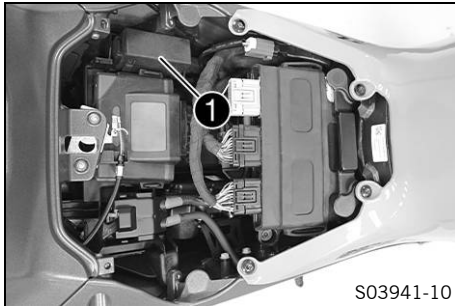


Info

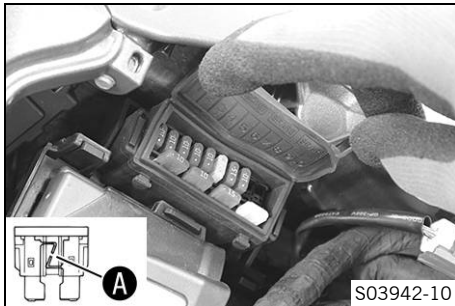
The fuse box containing the fuses of individual power consumers is located under the seat.

Preparatory work

- Remove the passenger seat. (📖 p. 199)
 - Remove the front rider's seat. (📖 p. 201)
-

**Main work**

- Open fuse box cover ①.



- Check the fuses.

**Info**

A faulty fuse has a burned-out fuse wire ①A.

- Remove the faulty fuse.

Guideline

Fuse 1 - 10 A - power supply for control units and components
Fuse 2 - 10 A - ACC1
Fuse 3 - 10 A - license plate lamp, tail light
Fuse 4 - 10 A - permanent positive for headlight
Fuse 5 - 10 A - control unit
Fuse 6 - 25 A - ABS return pump
Fuse 7 - 15 A - ABS hydraulic unit
Fuse 8 - 10 A - ACC2, USB socket
Fuse 9 - not assigned
Fuse 10 - not assigned
Fuse res - 10 A - spare fuses
Fuse res - 15 A - spare fuse
Fuse res - 25 A - spare fuse

- Insert the spare fuse with the correct rating.

Fuse (58011109110) (📖 p. 314)
Fuse (58011109115) (📖 p. 314)
Fuse (58011109125) (📖 p. 314)



Tip

Insert a spare fuse so that it is available if needed.

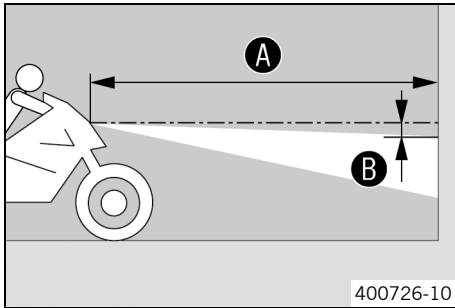
- Check that the power consumer is functioning properly.
- Close the fuse box cover ❶.

Finishing work

- Mount the front rider's seat. (📖 p. 202)
- Mount the passenger seat. (📖 p. 200)



16.8 Checking the headlight setting



- Park the vehicle on a horizontal surface in front of a light-colored wall and make a mark at the height of the center of the low beam headlight.
- Make another mark at a distance ❷ under the first marking.

Guideline

Distance ❷	5 cm (2 in)
------------	-------------

- Position the vehicle perpendicular to the wall at a distance ❶ from the wall and switch on the low beam.

Guideline

Distance ❶	5 m (16 ft)
------------	-------------

- The rider now mounts the motorcycle with luggage and passenger if applicable.
- Check the headlight setting.

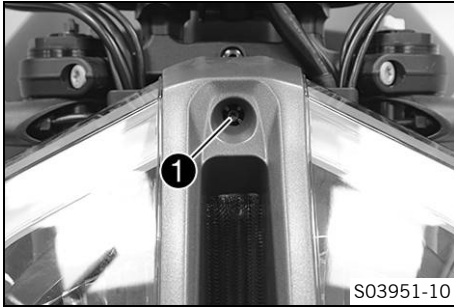
The light-dark boundary must be exactly on the lower marking when the motorcycle is ready to be operated with the rider mounted along with any luggage and a passenger if applicable.

- » If the boundary between light and dark does not meet specifications:
 - Adjust the headlight range. (📖 p. 268)

16.9 Adjusting the headlight range

Preparatory work

- Check the headlight setting. (📖 p. 267)



Main work

- Turn adjusting screw **1** to adjust the headlight range.



Info

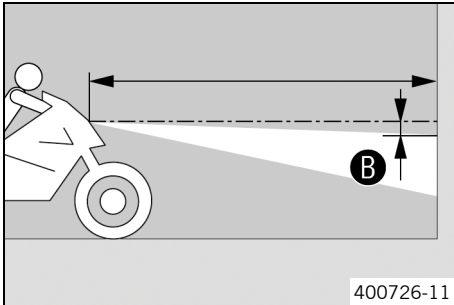
Turn clockwise to increase the headlight range; turn counterclockwise to reduce the headlight range. If you have a payload, you may have to correct the headlight range.

Screw **1** also secures the headlight. Ensure the screw is always screwed in far enough.

- Set the headlight to marking **B**.

Guideline

The light-dark boundary must lie exactly on lower marking **B** when the motorcycle is ready to operate with the rider mounted along with any luggage and a passenger if applicable.

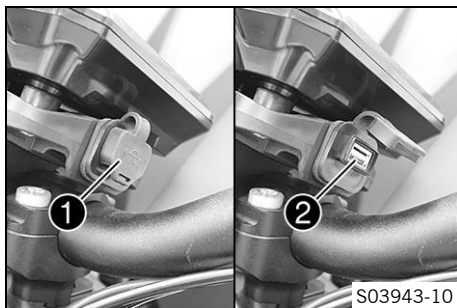


16.10 Connecting the USB cable



Info

The USB socket is located on the left of the combination instrument.



- Open USB socket cover ①.
- Connect a suitable USB cable to the USB socket ②.
- Connect the USB cable to the device.
- Route the cable on the handlebar and secure with the cable ties.

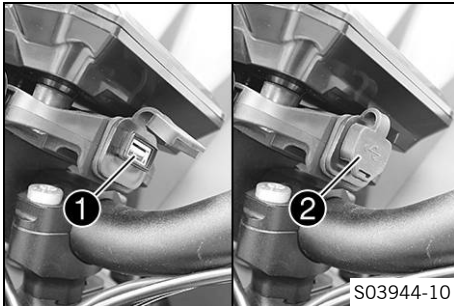
Guideline

Use the shortest possible USB cable.

Always ensure that connected devices are also protected against moisture.

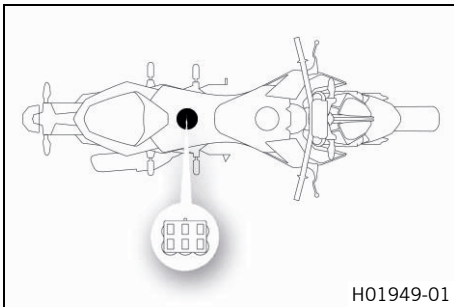
Route and secure the cable in such a way that it cannot be damaged.

16.11 Disconnecting the USB cable



- Disconnect USB cable from the device.
- Disconnect USB cable from the USB socket ❶.
- Close USB socket cover ❷.

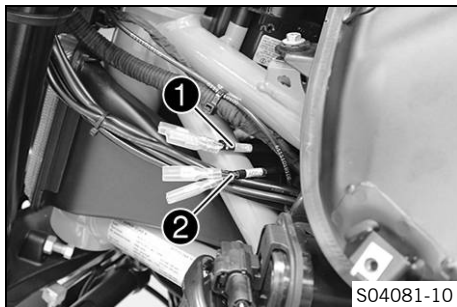
16.12 Diagnostics connector



Diagnostics connector ❶ is located under the front rider's seat.

16 ELECTRICAL SYSTEM

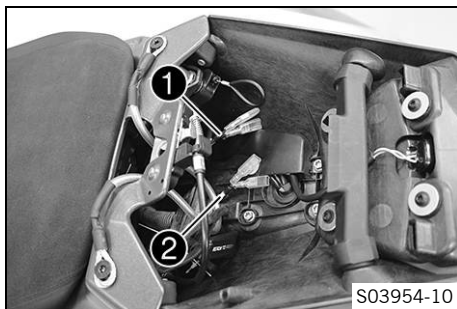
16.13 Front ACC1 and ACC2



Installation location

- Front power supplies ACC1 (1) and ACC2 (2) are located behind the fuel tank spoiler on the left between the triple clamps.

16.14 ACC1 and ACC2 rear



Installation location

- Power supplies ACC1 (1) and ACC2 (2) rear are located under the seat.

17.1 Checking the coolant level in the compensating tank



Warning

Danger of scalding During motorcycle operation, the coolant gets very hot and is under pressure.

- Do not open the radiator, the radiator hoses or other cooling system components if the engine or the cooling system are at operating temperature.
- Allow the cooling system and the engine to cool down before you open the radiator, the radiator hoses or other components of the cooling system.
- In the event of scalding, rinse the area affected immediately with lukewarm water.



Warning

Danger of poisoning Coolant is toxic and a health hazard.

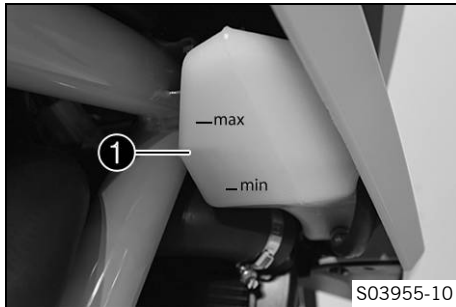
- Keep coolant out of the reach of children.
- Do not allow coolant to come into contact with the skin, the eyes and clothing.
- Consult a doctor immediately if coolant is swallowed.
- Rinse the affected area immediately with plenty of water in the event of contact with the skin.
- Rinse eyes thoroughly with water and consult a doctor immediately if coolant gets into the eyes.
- Change clothing if coolant spills onto your clothing.

Condition

The engine is cold.

The radiator is completely full.

17 COOLING SYSTEM



- Park the motorcycle on a horizontal surface.
- Check the coolant level in the compensating tank ①.

The coolant level must be between **MIN** and **MAX**.

- » If there is no coolant in the compensating tank:
 - Check the cooling system for leaks. 🛠️



Info

Do not start up the motorcycle!

- Add the coolant/bleed the cooling system. 🛠️
- » If the coolant in the compensating tank is not at the required level, but the tank is not empty:
 - Correct the coolant level in the compensating tank. (📖 p. 275)

17.2 Correcting the coolant level in the compensating tank



Warning

Danger of scalding During motorcycle operation, the coolant gets very hot and is under pressure.

- Do not open the radiator, the radiator hoses or other cooling system components if the engine or the cooling system are at operating temperature.
- Allow the cooling system and the engine to cool down before you open the radiator, the radiator hoses or other components of the cooling system.
- In the event of scalding, rinse the area affected immediately with lukewarm water.



Warning

Danger of poisoning Coolant is toxic and a health hazard.

- Keep coolant out of the reach of children.
- Do not allow coolant to come into contact with the skin, the eyes and clothing.
- Consult a doctor immediately if coolant is swallowed.
- Rinse the affected area immediately with plenty of water in the event of contact with the skin.
- Rinse eyes thoroughly with water and consult a doctor immediately if coolant gets into the eyes.
- Change clothing if coolant spills onto your clothing.

Condition

The engine is cold.

The radiator is completely full.

Preparatory work

- Check the coolant level in the compensating tank. (📖 p. 273)

17 COOLING SYSTEM



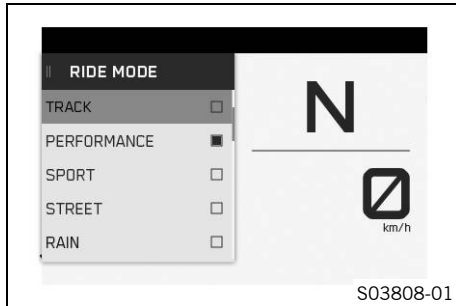
Main work

- Remove cover **1** of the compensating tank.
- Add coolant to the **MAX** marking.

Coolant (📖 p. 327)

- Mount cover **1** of the compensating tank.

18.1 Ride Mode



Possible states

- **TRACK** – Optional setting available with homologated performance and extremely direct response. The motorcycle traction control and the characteristic map of the throttle response can be individually set.
- Optional setting available with homologated performance and extremely direct response. The motorcycle traction control and throttle response characteristics can be individually adjusted and the **KTM MY RIDE** function can be used.
- **SPORT** – Homologated performance with very direct response; the motorcycle traction control allows greater slip on the rear wheel.
- **STREET** – Homologated performance with balanced response; the motorcycle traction control allows normal slip on the rear wheel.
- **RAIN** – Homologated performance with soft response for improved rideability; the motorcycle traction control allows normal slip on the rear wheel

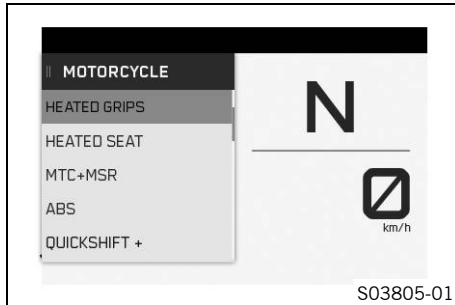
Various vehicle tunings can be selected in the **Ride Mode** menu. There is **TRACK** (optional), **SPORT**, **STREET** and **RAIN**. The drive mode selected last appears in the display. The drive mode can also be changed while riding with a closed throttle grip and deactivated speed sensor.



Info

The drive mode selection does not influence the ABS.

18.2 Motorcycle traction control (MTC)



The motorcycle traction control (MTC) lowers the engine torque in case of loss of traction in the rear wheel.



Info

When motorcycle traction control is switched off, the rear wheel may spin during strong acceleration and on surfaces with low grip, resulting in a risk of falling.

After the ignition is switched on, motorcycle traction control is enabled again.

The motorcycle traction control is controlled via the **Motorcycle** (📖 p. 277) menu on the combination instrument. The motorcycle traction control can be switched off in the **MTC/ABS** menu.

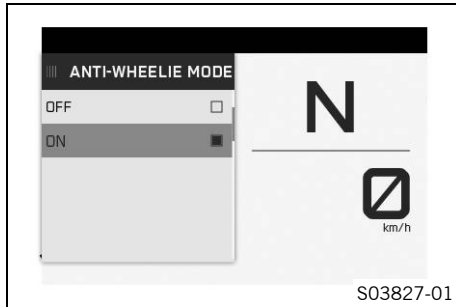


Info

When the motorcycle traction control is active, the TC indicator lamp 🚦 flashes.

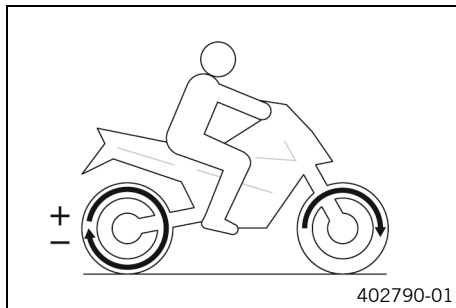
When motorcycle traction control is switched off, the TC indicator lamp 🚦 lights up.

18.3 Anti wheelie mode (optional)



The **Anti Wheelie Mode** is an optional vehicle electronics function. Anti wheelie mode is intended to prevent the front wheel rising when accelerating.

18.4 Slip adjustment (optional)



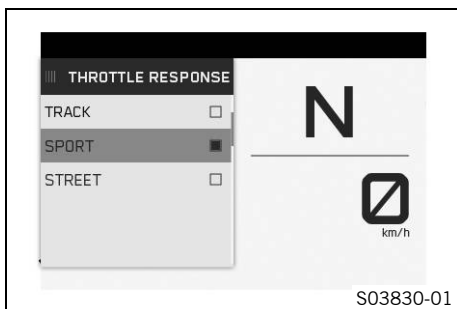
The slip adjustment is an optional motorcycle traction control function. The slip adjustment allows the motorcycle traction control to be tuned through nine levels to the desired characteristic map. Level 1 allows the maximum slip on the rear wheel, and level 9 the minimum. The slip adjustment can be set while riding with a closed menu using the **UP** or **DOWN** button.



Info

The slip adjustment is only available if drive mode **TRACK** (📖 p. 277) (optional) is active.

18.5 Throttle Response (optional)



Possible states

- TRACK – Extremely direct response
- SPORT – Very direct response
- STREET – Balanced response

The characteristic map of the throttle response can be adjusted in the **Throttle Response** menu.

The **Throttle Response** can also be set while riding with a closed throttle grip and deactivated speed sensor.



Info

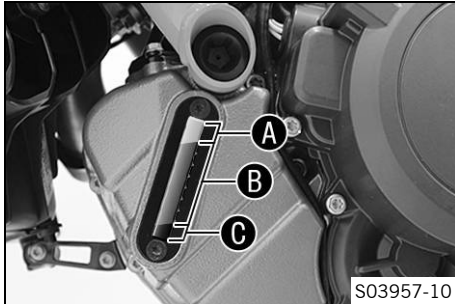
Throttle Response is only available if drive mode **TRACK** (📖 p. 277) (optional) is active.

19.1 Checking the engine oil level



Info

Oil consumption depends on the riding style and the operating conditions.



Condition

The engine is at operating temperature.

Preparatory work

- Stand the motorcycle upright on a horizontal surface.

Main work

- Check the engine oil level in the engine oil level viewer.



Info

After switching off the engine, wait one minute before checking the level.

The engine oil level should be in the upper area **B** of the engine oil level viewer.

- » When the engine oil level is in area **A** of the engine oil level viewer:
 - Do not add engine oil.
- » When the engine oil level is in area **B** of the engine oil level viewer:
 - Engine oil can be added.

- » When the engine oil level is in area **C** of the engine oil level viewer:
 - Add engine oil. (🛠️ p. 289)

19.2 Changing the engine oil and oil filter, cleaning the oil screens 🛠️



Warning

Danger of scalding Engine and gear oil get very hot when the motorcycle is ridden.

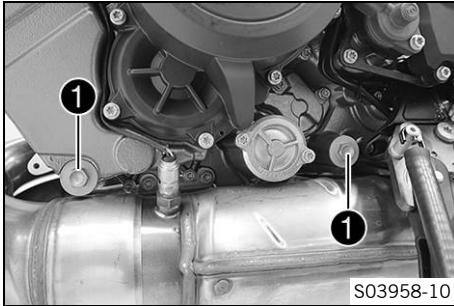
- Wear suitable protective clothing and safety gloves.
- In the event of scalding, rinse the area affected immediately with lukewarm water.



Note

Environmental hazard Hazardous substances cause environmental damage.

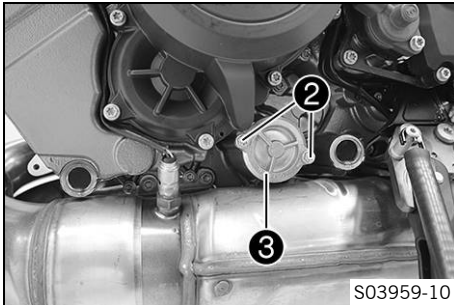
- Dispose of oils, grease, filters, fuel, cleaning agents, brake fluid, etc., correctly and in compliance with the applicable regulations.



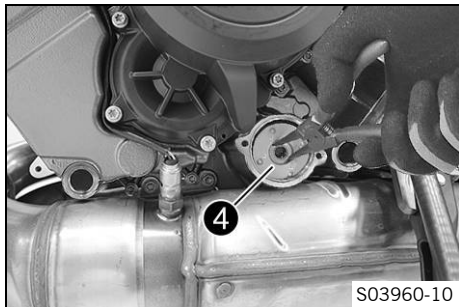
Main work

- Place the motorcycle on a horizontal surface using the side stand.
- Place an appropriate container under the engine.
- In order to prevent oil from running over the exhaust system, use a mouldable funnel if necessary.
- Remove oil drain plugs ① with the magnets, the O-rings, and the oil screens.

- Remove screws ②. Take off oil filter cover ③ with the O-ring.



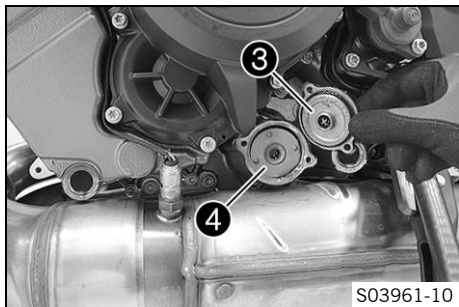
19 SERVICE WORK ON THE ENGINE



- Pull oil filter ④ out of the oil filter housing.

Lock ring plier (51012011000)

- Allow the engine oil to drain completely.
- Thoroughly clean the parts and the sealing surfaces.



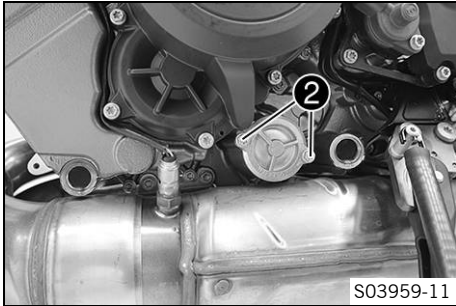
- Insert new oil filter ④.



Info

Only insert the oil filter by hand.

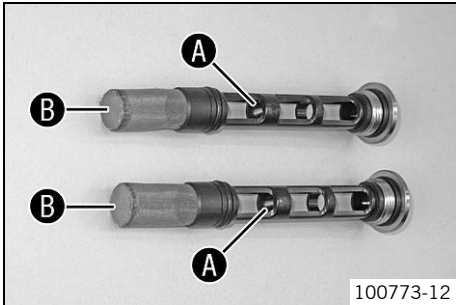
- Oil the O-ring of the oil filter cover. Mount oil filter cover ③.



- Mount and tighten screws ②.

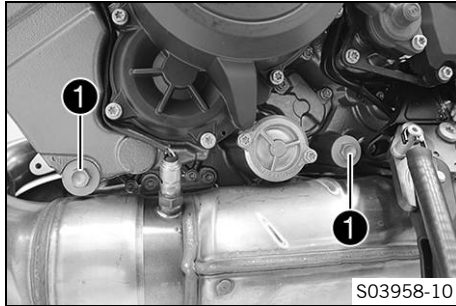
Guideline

Remaining engine screws	M5	6 Nm (4.4 lbf ft)
-------------------------	----	-------------------



- Thoroughly clean magnets ① and oil screens ② of the oil drain plugs.

19 SERVICE WORK ON THE ENGINE

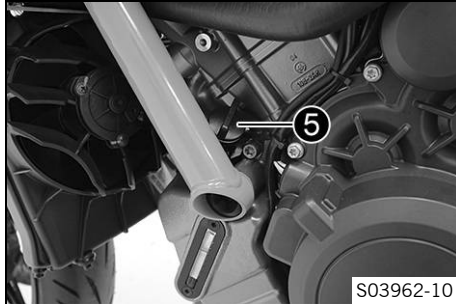


S03958-10

- Mount and tighten oil drain plugs **1** with magnets, O-rings, and oil screens.

Guideline

Oil drain plug	M20x1.5	20 Nm (14.8 lbf ft)
----------------	---------	---------------------



S03962-10

- Have the entire filling quantity available.

Engine oil Ambient temperature: $\geq 0\text{ }^{\circ}\text{C}$ ($\geq 32\text{ }^{\circ}\text{F}$)	3.50 l (3.7 qt.)	Engine oil (SAE 10W/50) (📖 p. 328)
Engine oil Ambient temperature: $< 0\text{ }^{\circ}\text{C}$ ($< 32\text{ }^{\circ}\text{F}$)		Engine oil (SAE 5W/40) (📖 p. 329)

- Add the oil quantity in two steps.
- Remove filler plug **5** with the O-ring, and fill up with the first partial quantity.

Engine oil (1st partial quantity) approx. Ambient temperature: $\geq 0\text{ }^{\circ}\text{C}$ ($\geq 32\text{ }^{\circ}\text{F}$)	3.0 l (3.2 qt.)	Engine oil (SAE 10W/50) (📖 p. 328)
Engine oil (1st partial quantity) approx. Ambient temperature: $< 0\text{ }^{\circ}\text{C}$ ($< 32\text{ }^{\circ}\text{F}$)		Engine oil (SAE 5W/40) (📖 p. 329)

- Mount filler plug **5** with the O-ring.



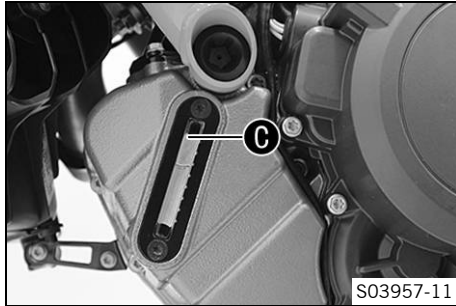
Danger

Danger of poisoning Exhaust gases are toxic and inhaling them may result in unconsciousness and death.

- Always make sure there is sufficient ventilation when running the engine.
- Use effective exhaust extraction when starting or running the engine in an enclosed space.

- Start the engine and check for tightness.
- Switch off the engine.

19 SERVICE WORK ON THE ENGINE



- Remove the filler plug with the O-ring and add the second partial quantity up to the upper marking **C** on the engine oil level viewer.

Engine oil (2nd partial quantity) approx. Ambient temperature: $\geq 0\text{ }^{\circ}\text{C}$ ($\geq 32\text{ }^{\circ}\text{F}$)	0.50 l (0.53 qt.)	Engine oil (SAE 10W/50) (📖 p. 328)
Engine oil (2nd partial quantity) approx. Ambient temperature: $< 0\text{ }^{\circ}\text{C}$ ($< 32\text{ }^{\circ}\text{F}$)		Engine oil (SAE 5W/40) (📖 p. 329)

- Mount the filler plug with the O-ring.



Danger

Danger of poisoning Exhaust gases are toxic and inhaling them may result in unconsciousness and death.

- Always make sure there is sufficient ventilation when running the engine.
- Use effective exhaust extraction when starting or running the engine in an enclosed space.

- Start the engine and check for tightness.

Finishing work

- Check the engine oil level. (📖 p. 281)

**19.3 Adding engine oil****Info**

Too little engine oil or poor-quality engine oil results in premature wear to the engine. The engine may be damaged if the engine oil level is too high.

Condition

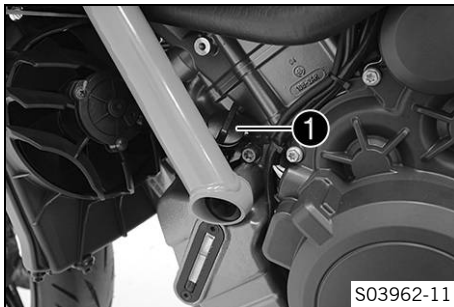
The engine is at operating temperature.

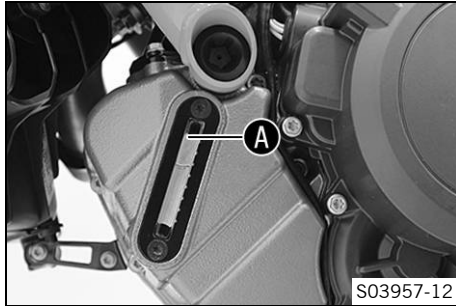
Preparatory work

- Stand the motorcycle upright on a horizontal surface.
- Check the engine oil level. (📖 p. 281)

Main work

- Remove filler plug ❶ with the O-ring.





- Add engine oil to upper marking **A** on the engine oil level viewer.

Condition

Ambient temperature: $\geq 0\text{ }^{\circ}\text{C}$ ($\geq 32\text{ }^{\circ}\text{F}$)

Engine oil (SAE 10W/50) (📖 p. 328)

Condition

Ambient temperature: $< 0\text{ }^{\circ}\text{C}$ ($< 32\text{ }^{\circ}\text{F}$)

Engine oil (SAE 5W/40) (📖 p. 329)

i Info

In order to achieve optimal engine oil performance, it is not advisable to mix different engine oils. KTM recommends changing the engine oil.

- Mount the filler plug with the O-ring.



Danger

Danger of poisoning Exhaust gases are toxic and inhaling them may result in unconsciousness and death.

- Always make sure there is sufficient ventilation when running the engine.
- Use effective exhaust extraction when starting or running the engine in an enclosed space.

- Start the engine and check for tightness.

Finishing work

- Check the engine oil level. (🔧 p. 281)



20.1 Cleaning the motorcycle

Note

Material damage Components become damaged or destroyed if a pressure cleaner is used incorrectly. The high pressure forces water into the electrical components, connectors, throttle cables, and bearings, etc. Pressure which is too high causes malfunctions and destroys components.

- Do not direct the water jet directly on to electrical components, connectors, throttle cables or bearings.
- Maintain a minimum distance between the nozzle of the pressure cleaner and the component.

Minimum clearance 60 cm (23.6 in)



Note

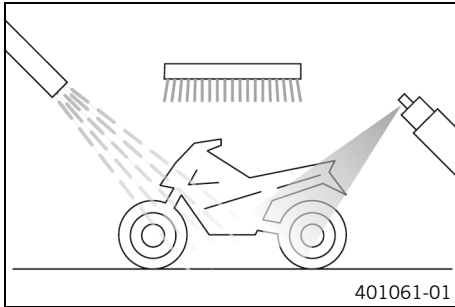
Environmental hazard Hazardous substances cause environmental damage.

- Dispose of oils, grease, filters, fuel, cleaning agents, brake fluid, etc., correctly and in compliance with the applicable regulations.
-



Info

Clean the motorcycle regularly to maintain its value and appearance over a long period. Avoid direct sunshine when cleaning the motorcycle.



- Close off exhaust system to keep water from entering.
- Remove the coarse dirt particles with a gentle water jet.
- Spray the heavily soiled parts with a normal commercial motorcycle cleaner and clean using a brush.

Motorcycle cleaner (🗨️ p. 331)



Info

Use warm water containing normal motorcycle cleaner and a soft sponge.

Never apply motorcycle cleaner to a dry vehicle; always rinse the vehicle with water first.

If the vehicle has been used on salted roads, use cold water for cleaning after riding. Warm water enhances the corrosive effects of salt.

- After rinsing the motorcycle with a gentle spray of water, allow it to dry thoroughly.
- Remove the closure of the exhaust system.



Warning

Danger of accidents Moisture and dirt impair the brake system.

- Brake carefully several times to dry out and remove dirt from the brake linings and the brake discs.

- After cleaning, ride the vehicle a short distance until the engine warms up.



Info

The heat produced causes water at inaccessible locations in the engine and on the brake system to evaporate.

-
- After the motorcycle has cooled down, lubricate all moving parts and pivot points.
 - Clean the chain. (📖 p. 212)
 - Treat bare metal (except for brake discs and the exhaust system) with a corrosion inhibitor.

Preserving materials for paints, metal and rubber
(📖 p. 332)

- Treat the painted parts with a mild paint polish.

Perfect finish and high gloss polish for paints (📖 p. 331)



Info

Do not polish parts that were matte when delivered as this would strongly impair the material quality.

-
- Treat the plastic parts and powder-coated parts with a mild cleaning and care product.

Special cleaner for glossy and matte paint finishes, metal and plastic surfaces (📖 p. 332)

- Oil steering lock and seat lock.

Universal oil spray (📖 p. 332)



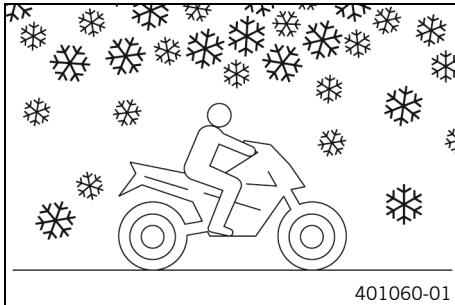
20.2 Checks and maintenance steps for winter operation



Info

If you use the motorcycle in winter, you must expect salt on the roads. You should therefore take precautions against aggressive road salt.

If the vehicle has been used on salted roads, use cold water for cleaning after riding. Warm water enhances the corrosive effects of salt.



- Clean the motorcycle. (📖 p. 292)
- Clean the brakes.



Info

After **EVERY** trip on salted roads, thoroughly clean the brake calipers and brake linings, after they have cooled down and without removing them, with cold water and dry them carefully.

After riding on salted roads, thoroughly clean the motorcycle with cold water and dry it well.

- Treat the engine, the link fork, and all other bare or zinc-plated parts (except the brake discs) with a wax-based corrosion inhibitor.

**Info**

Corrosion inhibitor must not come into contact with the brake discs. This would severely lower the braking effect.

-
- Clean the chain. (📖 p. 212)

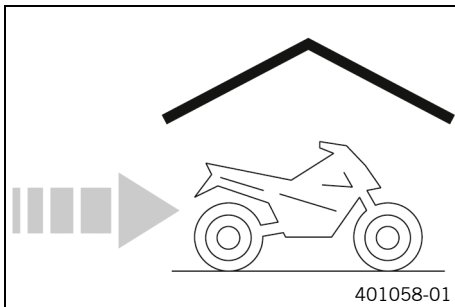


21.1 Storage



Info

If the motorcycle is not being used for an extended length of time, additional measures are recommended. Before storing the motorcycle, check all parts for function and wear. If service, repairs, or replacements are necessary, you should do this during the storage period (less workshop overload). This allows you to avoid long waiting periods when the next season starts.



- When refueling for the last time before taking the motorcycle out of service, add fuel additive.

Fuel additive (📖 p. 331)

- Refuel. (📖 p. 172)
- Clean the motorcycle. (📖 p. 292)
- Change the engine oil and the oil filter, clean the oil screens. 🛠️ (📖 p. 282)
- Check the coolant fill level and antifreeze. 🛠️
- Check tire pressure. (📖 p. 250)
- Remove the 12-V battery. 🛠️ (📖 p. 253)

Guideline

Storage temperature of the 12-V battery without direct sunlight	0 ... 35 °C (32 ... 95 °F)
---	----------------------------

- Charge the 12-V battery. 🛠️ (📖 p. 257)

- Store the vehicle in a dry location that is not subject to large fluctuations in temperature.

**Info**

KTM recommends jacking up the motorcycle.

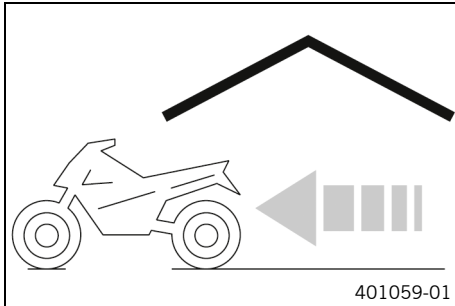
-
- Lift the motorcycle with the rear lifting gear. (📖 p. 191)
 - Lift the motorcycle with the front lifting gear. (📖 p. 192)
 - Cover the motorcycle with a tarp or cover that is permeable to air.

**Info**

Do not use non-porous materials since they prevent humidity from escaping, thus causing corrosion. Avoid running the engine for a short time only. Since the engine cannot warm up properly, the water vapor produced during combustion condenses and causes valves and the exhaust system to rust.



21.2 Preparing for use after storage



- Take the motorcycle off the front lifting gear. (📖 p. 193)
- Remove the rear of the motorcycle from the lifting gear. (📖 p. 191)
- Install the 12-V battery. 🔧 (📖 p. 255)

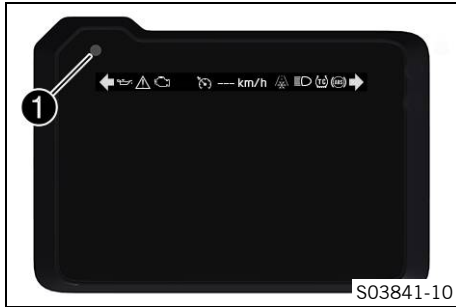


Info

If the 12-V battery was removed, the time and date must be set.

- Perform checks and maintenance measures when preparing for use. (📖 p. 152)
- Take a test ride.





The RACE-ON indicator lamp **1** can indicate errors by flashing. These are indicated up to five seconds after the RACE-ON button is actuated.



Info

Blink codes referring to **KTM RACE ON** are only displayed once and not repeated.

Faults	Possible cause	Action
No response if the RACE-ON button is pressed	RACE-ON button faulty	<ul style="list-style-type: none"> – Check the RACE-ON button for damage. – Check the cable and the plug of the RACE-ON button for damage.

Faults	Possible cause	Action
RACE-ON indicator lamp flashes twice	No response signal from the RACE-ON key	<ul style="list-style-type: none"> – Ensure that the RACE-ON key is in range. – Remove other electronic devices from the vicinity of the RACE-ON antenna. – Check the battery compartment in the RACE-ON key for correct locking. – Check the battery compartment of the RACE-ON key for corrosion. – Change the RACE-ON key battery. (📖 p. 261) – Use black ignition key.
RACE-ON indicator lamp flashes three times	12-V battery discharged	<ul style="list-style-type: none"> – Charge the 12-V battery. 🛠️ (📖 p. 257) – Check the open-circuit current. 🛠️
RACE-ON indicator lamp flashes four times	Steering lock bolt locked or tense	<ul style="list-style-type: none"> – Move handlebar slightly.
RACE-ON indicator lamp flashes five times	RACE-ON antenna faulty	<ul style="list-style-type: none"> – Check the RACE-ON antenna for damage.
The combination instrument shows nothing on the display	Fuse 1 is blown	<ul style="list-style-type: none"> – Change the fuses in the fuse box. (📖 p. 264)
	The main fuse is blown	<ul style="list-style-type: none"> – Change the main fuse. (📖 p. 262)
	12-V battery discharged	<ul style="list-style-type: none"> – Charge the 12-V battery. 🛠️ (📖 p. 257) – Check the open-circuit current. 🛠️

22 TROUBLESHOOTING

Faults	Possible cause	Action
The engine does not turn if the emergency OFF switch/electric starter button is pressed into the lower position	Operating error	– Carry out start procedure. (📖 p. 153)
	12-V battery discharged	– Charge the 12-V battery. 🛠️ (📖 p. 257) – Check the open-circuit current. 🛠️
	Faulty safety starting system	– Read out the fault memory using the KTM diagnostics tool. 🛠️
	Electronic fault	– Read out the fault memory using the KTM diagnostics tool. 🛠️
The engine only turns if the clutch lever is drawn	The vehicle is in gear	– Shift the transmission into neutral.
	Faulty safety starting system	– Read out the fault memory using the KTM diagnostics tool. 🛠️
The engine turns although a gear is engaged	Faulty safety starting system	– Read out the fault memory using the KTM diagnostics tool. 🛠️
The engine turns but does not start	The coupling of the quick release coupling is not joined	– Reconnect the coupling of the quick release coupling.
	Error in the electronic fuel injection	– Read out the fault memory using the KTM diagnostics tool. 🛠️
	The fuel quality is insufficient	– Add suitable fuel.
The engine dies during the trip	Lack of fuel	– Refuel. (📖 p. 172)
	Error in the electronic fuel injection	– Read out the fault memory using the KTM diagnostics tool. 🛠️
Malfunction indicator lamp lights up or flashes	Error in the electronic fuel injection	– Read out the fault memory using the KTM diagnostics tool. 🛠️

Faults	Possible cause	Action
The ABS warning lamp lights up	ABS fuse blown	– Change the fuses in the fuse box. (📖 p. 264)
	Large difference in wheel speeds of the front and rear wheels	– Stop the vehicle, switch off the ignition, and start it again.
	Malfunction in ABS	– Read out the fault memory using the KTM diagnostics tool. 🛠️
High oil consumption	The engine oil level is too high	– Check the engine oil level. (📖 p. 281)
	The engine oil is too thin (low viscosity)	– Change the engine oil and the oil filter, clean the oil screens. 🛠️ (📖 p. 282)
12-V battery discharged	The hazard warning flasher is switched on	– Switch off the hazard warning flasher. – Charge the 12-V battery. 🛠️ (📖 p. 257)
	The 12-V battery is not being charged by the alternator	– Check the charging voltage. 🛠️
	The ignition was not switched off while the vehicle was parked	– Charge the 12-V battery. 🛠️ (📖 p. 257)

23.1 Engine

Design	2-cylinder 4-stroke Otto engine, 75° V arrangement, water-cooled
Displacement	1,301 cm ³ (79.39 cu in)
Stroke	71 mm (2.8 in)
Bore	108 mm (4.25 in)
Compression ratio	13.5:1
Idle speed	1,400 ... 1,600 rpm
Control	DOHC, 4 valves per cylinder, chain-driven
Valve - valve plate diameter	
Intake	42 mm (1.65 in)
Exhaust	34 mm (1.34 in)
Valve clearance	
Intake at: 20 °C (68 °F)	0.10 ... 0.15 mm (0.0039 ... 0.0059 in)
Exhaust at: 20 °C (68 °F)	0.25 ... 0.30 mm (0.0098 ... 0.0118 in)
Crankshaft bearing	Sleeve bearing
Conrod bearing	Sleeve bearing
Piston	Forged light alloy
Piston ring	1 upper compression (rectangular) ring, 1 lower compression ring, 1 oil scraper ring
Engine lubrication	Dry sump lubrication system with 3 trochoidal pumps

Primary transmission	40:76
Clutch	Antihopping clutch in oil bath/hydraulically operated
Transmission	6-gear transmission, claw shifted
Transmission ratio	
1st gear	12:35
2nd gear	15:32
3rd gear	18:30
4th gear	20:27
5th gear	24:27
6th gear	27:26
Mixture preparation	Electronic fuel injection
Ignition system	Contactless controlled fully electronic ignition with digital ignition adjustment
Alternator	12 V, 450 W
Spark plug	
Inside spark plug	NGK LKAR9BI-10
Outside spark plug	NGK LMAR7DI-10
Electrode gap, spark plug	1 mm (0.04 in)
Cooling	Water cooling, permanent circulation of coolant by water pump
Cold start device	Starter motor

23.2 Engine tightening torques

Screw, damping plate	EJOT Altracs® M6x14	10 Nm (7.4 lbf ft) Loctite®243™
Screw, retaining bracket, valve cover, rear	EJOT Altracs® M6x10	10 Nm (7.4 lbf ft)
Hose clip, intake flange	M4	1.5 Nm (1.11 lbf ft)
Oil nozzle	M5	2 Nm (1.5 lbf ft) Loctite®243™
Remaining engine screws	M5	6 Nm (4.4 lbf ft)
Screw, bearing retainer	M5	5 Nm (3.7 lbf ft) Loctite®243™
Screw, bearing shells retaining bracket	M5	6 Nm (4.4 lbf ft) Loctite®243™
Screw, crankshaft speed sensor	M5	6 Nm (4.4 lbf ft) Loctite®243™
Screw, engine oil level viewer	M5	4 Nm (3 lbf ft)
Screw, gear position sensor	M5	5 Nm (3.7 lbf ft) Loctite®243™
Screw, resonator	M5	8 Nm (5.9 lbf ft) Loctite®243™
Bleeder screw, water pump cover	M6	10 Nm (7.4 lbf ft)
Coolant connection screw on the cylinder head	M6	8 Nm (5.9 lbf ft) Loctite®243™

Freewheel ring bolt	M6 – 10.9	15 Nm (11.1 lbf ft) Loctite® 648™
Nut, cylinder head	M6	8 Nm (5.9 lbf ft)
Remaining engine screws	M6	10 Nm (7.4 lbf ft)
Screw, camshaft bearing support	M6 – 10.9	10 Nm (7.4 lbf ft)
Screw, clutch cover	M6	10 Nm (7.4 lbf ft)
Screw, clutch spring	M6	12 Nm (8.9 lbf ft)
Screw, engine case	M6x60	10 Nm (7.4 lbf ft)
Screw, engine case	M6x80	10 Nm (7.4 lbf ft)
Screw, engine case	M6x90	10 Nm (7.4 lbf ft)
Screw, locking lever	M6	10 Nm (7.4 lbf ft) Loctite®243™
Screw, oil pump cover	M6	10 Nm (7.4 lbf ft) Loctite®243™
Screw, shift drum locating	M6 – 12.9	18 Nm (13.3 lbf ft) Loctite®243™
Screw, shift lever	M6	18 Nm (13.3 lbf ft)
Screw, starter motor	M6	10 Nm (7.4 lbf ft)
Screw, starter wheel guide	M6	10 Nm (7.4 lbf ft) Loctite®243™
Screw, stator	M6	10 Nm (7.4 lbf ft) Loctite®243™
Screw, valve cover	M6	10 Nm (7.4 lbf ft)

23 TECHNICAL DATA

Screw, water pump cover	M6	10 Nm (7.4 lbf ft)
Screw, water pump wheel	M6	10 Nm (7.4 lbf ft) Loctite®243™
Stud, timing chain shaft	M6	8 Nm (5.9 lbf ft)
Vacuum connection	M6	5 Nm (3.7 lbf ft) Loctite®243™
Nozzle 100	M6x0.75	3 Nm (2.2 lbf ft) Loctite®243™
Crankshaft locking bolt	M8	12 Nm (8.9 lbf ft)
Screw, camshaft bearing support	M8 – 10.9	Step 1 10 Nm (7.4 lbf ft) Step 2 18 Nm (13.3 lbf ft)
Screw, camshaft bearing support	M8 – 10.9	Step 1 8.5 Nm (6.27 lbf ft) Step 2 14.5 Nm (10.7 lbf ft) Only applies when using: Hexagon socket bit (61229025000)
Screw, engine case	M8	18 Nm (13.3 lbf ft)
Screw, guide rail	M8	15 Nm (11.1 lbf ft) Loctite®243™
Screw, tensioning rail	M8	15 Nm (11.1 lbf ft) Loctite®243™

Stud, exhaust flange	M8	10 Nm (7.4 lbf ft)
Screw, engine bearer	M10	45 Nm (33.2 lbf ft)
Oil pressure sensor	M10x1	10 Nm (7.4 lbf ft)
Screw plug, cam lever axis	M10x1	12 Nm (8.9 lbf ft)
Screw plug, clutch lubrication	M10x1	8 Nm (5.9 lbf ft)
Screw plug, spreading transmission lock	M10x1	12 Nm (8.9 lbf ft)
Screw, conrod bearing	M10x1	Step 1 25 Nm (18.4 lbf ft) Step 2 30 Nm (22.1 lbf ft) Step 3 90°
Screw, unlocking of timing chain tensioner	M10x1	8 Nm (5.9 lbf ft)
Spark plug	M10x1	11 Nm (8.1 lbf ft)

23 TECHNICAL DATA

Cylinder head screw	M11x1.5	Tightening sequence: Using a crisscross pattern Step 1 15 Nm (11.1 lbf ft) Step 2 30 Nm (22.1 lbf ft) Step 3 90° Step 4 90° Lubricated with engine oil
Coolant temperature sensor	M12x1.5	12 Nm (8.9 lbf ft)
Rotor screw	M12x1.5	115 Nm (84.8 lbf ft)
Spark plug	M12x1.5	18 Nm (13.3 lbf ft)
Nut of engine sprocket	M20x1.5	100 Nm (73.8 lbf ft) Loctite®243™
Oil drain plug	M20x1.5	20 Nm (14.8 lbf ft)
Nut, inner clutch hub	M22x1.5	130 Nm (95.9 lbf ft) Loctite®243™
Plug, timing-chain tensioner	M24x1.5	25 Nm (18.4 lbf ft)
Screw plug, alternator cover	M24x1.5	8 Nm (5.9 lbf ft)
Nut, primary gear wheel	M33LHx1.5	130 Nm (95.9 lbf ft) Loctite®243™

23.3 Capacities

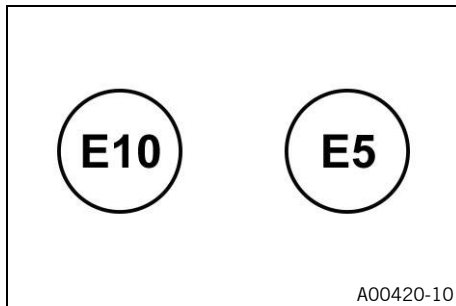
23.3.1 Engine oil

Engine oil Ambient temperature: ≥ 0 °C (≥ 32 °F)	3.50 l (3.7 qt.)	Engine oil (SAE 10W/50) (📖 p. 328)
Engine oil Ambient temperature: < 0 °C (< 32 °F)		Engine oil (SAE 5W/40) (📖 p. 329)

23.3.2 Coolant

Coolant	3.20 l (3.38 qt.)	Coolant (📖 p. 327)
---------	-------------------	--------------------

23.3.3 Fuel



Please observe the labels on EU fuel pumps.

Total fuel tank capacity, approx.	16 l (4.2 US gal)	Super unleaded (ROZ 95/RON 95/PON 91) (📖 p. 330)
-----------------------------------	-------------------	--

Fuel reserve, approx.	3.5 l (3.7 qt.)
-----------------------	-----------------

23.4 Chassis

Frame	Lattice frame made of chrome molybdenum steel tubing, powder-coated	
Fork	WP SuspensionAPEX 5548	
Shock absorber	WP SuspensionAPEX 5746	
Suspension travel		
front	125 mm (4.92 in)	
rear	140 mm (5.51 in)	
Brake system		
front	Double disc brake with radially mounted four-piston brake calipers, floating brake discs	
rear	Single disc brake with dual-piston brake caliper, fixed brake disc	
Brake discs - diameter		
front	320 mm (12.6 in)	
rear	240 mm (9.45 in)	
Brake discs - wear limit		

front	4.5 mm (0.177 in)
rear	4.5 mm (0.177 in)
Tire pressure when solo	
front: with cold tires	2.5 bar (36 psi)
rear: with cold tires	2.5 bar (36 psi)
Secondary drive ratio	17:38
Chain	5/8 x 5/16" (525) X-ring
Steering head angle	64.8°
Wheelbase	1,497 mm (58.94 in)
Seat height unloaded	835 mm (32.87 in)
Ground clearance unloaded	160 mm (6.3 in)
Weight without fuel approx.	192 kg (423 lb.)
Maximum permissible front axle load	165 kg (364 lb.)
Maximum permissible rear axle load	260 kg (573 lb.)
Maximum permissible overall weight	425 kg (937 lb.)

23.5 Electrical system

12-V battery	YTX14-BS	Battery voltage: 12 V Nominal capacity: 12 Ah Maintenance-free
RACE-ON key battery	CR 2032	3 V

23 TECHNICAL DATA

Fuse	58011109110	10 A
Fuse	58011109115	15 A
Fuse	58011109125	25 A
Fuse	58011109130	30 A


Low beam/high beam	LED
Daytime running light/position light	LED
Combination instrument lighting and indicator lamps	LED
Turn signal	LED
Tail light	LED
Brake light	LED
License plate lamp	LED

23.6 Tires

Front tire	Rear tire
120/70 ZR 17 M/C (58W) TL Bridgestone Battlax Hypersport S22 F	200/55 ZR 17 M/C (75W) TL Bridgestone Battlax Hypersport S22 R
The tires specified represent one of the possible series production tires. Additional information is available in the Service section under: http://www.ktm.com	



23.7 Fork

Fork article number	14.18.8T.22
Fork	WP SuspensionAPEX 5548
Compression damping	
Comfort	21 clicks
Standard	15 clicks
Sport	7 clicks
Full payload	7 clicks
Rebound damping	
Comfort	21 clicks
Standard	15 clicks
Sport	7 clicks
Full payload	7 clicks
Spring length with preload spacer(s)	303 mm (11.93 in)
Spring rate	
Soft	8.5 N/mm (48.5 lb/in)
Medium (standard)	9 N/mm (51 lb/in)
Hard	9.5 N/mm (54.2 lb/in)
Fork length	753 mm (29.65 in)

Fork oil per fork leg	615 ± 15 ml (20.79 ± 0.51 fl. oz.)	Fork oil (SAE 4) (48601166S1) ( p. 329)
-----------------------	---------------------------------------	--

23.8 Shock absorber

Shock absorber article number	15.18.7T.22
Shock absorber	WP SuspensionAPEX 5746
Low-speed compression damping	
Comfort	21 clicks
Standard	12 clicks
Sport	7 clicks
Full payload	7 clicks
High-speed compression damping	
Comfort	1.5 turns
Standard	1.5 turns
Sport	1 turn
Full payload	1 turn
Rebound damping	
Comfort	21 clicks
Standard	15 clicks
Sport	10 clicks
Full payload	10 clicks

Spring preload	
Standard	8 mm (0.31 in)
	 Info Corresponds to position 0 on the preload adjuster.
Spring rate	
Weight of rider: 65 ... 75 kg (143 ... 165 lb.)	75 N/mm (428 lb/in)
Weight of rider: 75 ... 85 kg (165 ... 187 lb.)	85 N/mm (485 lb/in)
Weight of rider: 85 ... 95 kg (187 ... 209 lb.)	95 N/mm (542 lb/in)
Spring length	195 mm (7.68 in)
Gas pressure	10 bar (145 psi)
Static sag	20 mm (0.79 in)
Riding sag	45 mm (1.77 in)
Fitted length	356 mm (14.02 in)
Shock absorber fluid ( p. 329)	SAE 2.5

23.9 Chassis tightening torques

Remaining screws, chassis	EJOT PT® K50x12	1 Nm (0.7 lbf ft)
Remaining screws, chassis	EJOT PT® K50x14	1 Nm (0.7 lbf ft)
Remaining screws, chassis	EJOT PT® K50x16	2 Nm (1.5 lbf ft)

23 TECHNICAL DATA

Remaining screws, chassis	EJOT PT® K50x18	2 Nm (1.5 lbf ft)
Remaining screws, chassis	EJOT PT® K45x12	1 Nm (0.7 lbf ft)
Screw, air filter box cover	EJOT PT® K60	2 Nm (1.5 lbf ft)
Screw, exhaust valve cover fastening	EJOT SF® M4x6-K	4 Nm (3 lbf ft)
Screw, quick release nipple of fuel tank cover	EJOT PT® K60	2 Nm (1.5 lbf ft)
Screw, tail light	EJOT PT® K50x14	2.5 Nm (1.84 lbf ft)
Screw, fixed grip, left	M4	2 Nm (1.5 lbf ft)
Screw, side stand sensor	M4	2 Nm (1.5 lbf ft)
Remaining nuts, chassis	M5	5 Nm (3.7 lbf ft)
Remaining screws, chassis	M5	5 Nm (3.7 lbf ft)
Screw for throttle grip	M5	3.5 Nm (2.58 lbf ft)
screw, absorbing element, combination instrument	M5	2 Nm (1.5 lbf ft)
Screw, cable channel	M5	5 Nm (3.7 lbf ft)
Screw, chain sliding guard	M5	5 Nm (3.7 lbf ft)
Screw, combination instrument	M5	2.5 Nm (1.84 lbf ft)
Screw, combination switch, left	M5	5 Nm (3.7 lbf ft)
Screw, combination switch, right	M5	5 Nm (3.7 lbf ft)
Screw, front turn signal bracket	M5	3.5 Nm (2.58 lbf ft)
Screw, fuel level sensor	M5	3 Nm (2.2 lbf ft)

Loctite®243™

Screw, fuel tank filler cap	M5	3 Nm (2.2 lbf ft)	
Screw, heat guard on main silencer	M5	4 Nm (3 lbf ft)	
Screw, rear turn signal bracket	M5	3.5 Nm (2.58 lbf ft)	
Screw, trim	M5	3.5 Nm (2.58 lbf ft)	
Cable disk nut, exhaust valve control unit	M6	14 Nm (10.3 lbf ft)	
Ground fitting on frame	M6	10 Nm (7.4 lbf ft)	
Nut, cable on starter motor	M6	6 Nm (4.4 lbf ft)	
Remaining nuts, chassis	M6	10 Nm (7.4 lbf ft)	
Remaining screws, chassis	M6	10 Nm (7.4 lbf ft)	
Screw, ABS module fastening	M6	8 Nm (5.9 lbf ft)	
Screw, angle sensor cover	M6	6 Nm (4.4 lbf ft)	Loctite®243™
Screw, ball joint of push rod on foot brake cylinder	M6	5 Nm (3.7 lbf ft)	Loctite®243™
Screw, battery terminal	M6	4.5 Nm (3.32 lbf ft)	
Screw, clutch assembly	M6	5 Nm (3.7 lbf ft)	Loctite®243™
Screw, connecting piece, rear brake line	M6	10 Nm (7.4 lbf ft)	Loctite®243™
Screw, cooler retaining bracket	M6	5 Nm (3.7 lbf ft)	
Screw, exhaust clamp on main silencer	M6	8 Nm (5.9 lbf ft)	

23 TECHNICAL DATA

Screw, exhaust clamp on manifold	M6	8 Nm (5.9 lbf ft)
Screw, foot brake cylinder	M6	10 Nm (7.4 lbf ft) Loctite®243™
Screw, front wheel speed sensor	M6	4 Nm (3 lbf ft)
Screw, fuel pump	M6	6 Nm (4.4 lbf ft)
Screw, instrument support	M6	2 Nm (1.5 lbf ft)
Screw, license plate holder on lower rear panel	M6	8 Nm (5.9 lbf ft)
Screw, radiator hose clip	M6	3 Nm (2.2 lbf ft)
Screw, rear wheel speed sensor	M6	4 Nm (3 lbf ft)
Screw, shift lever stub	M6	10 Nm (7.4 lbf ft)
Screw, shift rod	M6	5 Nm (3.7 lbf ft) Loctite®243™
Screw, shift shaft deflector on shift shaft	M6	18 Nm (13.3 lbf ft) Loctite®243™
Screw, side stand stub	M6	6 Nm (4.4 lbf ft) Loctite®243™
Screw, steering damper bracket on frame	M6	8 Nm (5.9 lbf ft) Loctite®243™
Screw, step plate for foot brake lever	M6	10 Nm (7.4 lbf ft)
Nut, exhaust valve throttle cable	M6x1	5 Nm (3.7 lbf ft)
Cable disk nut, exhaust valve	M8	7 Nm (5.2 lbf ft)

Nut, rear sprocket	M8	36 Nm (26.6 lbf ft)	
Nut, shift rod	M8	12 Nm (8.9 lbf ft)	
Nut, valve (1290 Super Duke R JP)	M8	4 Nm (3 lbf ft)	
Nut, valve (1290 Super Duke R EU)	M8	6 Nm (4.4 lbf ft)	
Remaining nuts, chassis	M8	25 Nm (18.4 lbf ft)	
Remaining screws, chassis	M8	25 Nm (18.4 lbf ft)	
Screw, axle clamp	M8	15 Nm (11.1 lbf ft)	
Screw, bottom triple clamp	M8	15 Nm (11.1 lbf ft)	
Screw, foot brake lever	M8	20 Nm (14.8 lbf ft)	Loctite®243™
Screw, front brake disc	M8	28 Nm (20.7 lbf ft)	Loctite®2701™
Screw, front rider footrest bracket	M8	25 Nm (18.4 lbf ft)	Loctite®243™
Screw, handlebar clamp	M8	20 Nm (14.8 lbf ft)	
Screw, ignition lock (tamper-proof screw)	M8	25 Nm (18.4 lbf ft)	
Screw, rear brake caliper	M8	25 Nm (18.4 lbf ft)	Loctite®2701™
Screw, rear brake disc	M8	28 Nm (20.7 lbf ft)	Loctite®243™

23 TECHNICAL DATA

Screw, shift lever on footrest bracket	M8	20 Nm (14.8 lbf ft) Loctite®243™
Screw, shift shaft deflector on frame	M8	10 Nm (7.4 lbf ft) Loctite®243™
Screw, side stand bracket	M8	25 Nm (18.4 lbf ft) Loctite®243™
Screw, side stand spring	M8	15 Nm (11.1 lbf ft) Loctite®2701™
Screw, steering damper on holder	M8	8 Nm (5.9 lbf ft) Loctite®243™
Screw, steering damper on triple clamp	M8	8 Nm (5.9 lbf ft) Loctite®243™
Screw, steering stem clamp	M8	20 Nm (14.8 lbf ft) Loctite®243™
Screw, top triple clamp	M8	18 Nm (13.3 lbf ft)
Remaining nuts, chassis	M10	45 Nm (33.2 lbf ft)
Remaining screws, chassis	M10	45 Nm (33.2 lbf ft)
Screw, engine bearer	M10	45 Nm (33.2 lbf ft) Loctite®243™
Screw, front brake caliper	M10	45 Nm (33.2 lbf ft) Loctite®243™
Screw, handlebar support	M10	40 Nm (29.5 lbf ft) Loctite®243™

Screw, side stand	M10	40 Nm (29.5 lbf ft) Loctite®243™
Screw, side stand bracket	M10	55 Nm (40.6 lbf ft) Loctite®243™
Banjo bolt, brake line	M10x1	25 Nm (18.4 lbf ft)
Banjo bolt, brake line, connecting piece, rear	M10x1	25 Nm (18.4 lbf ft)
Nut, rear hub shock absorber carrier	M10x1.25	45 Nm (33.2 lbf ft) Loctite®243™
Lambda sensor	M12x1.25	25 Nm (18.4 lbf ft)
Screw, bottom shock absorber	M14x1.5	80 Nm (59 lbf ft) Loctite®243™
Screw, top shock absorber	M14x1.5	80 Nm (59 lbf ft) Loctite®243™
Screw, eccentric	M16	70 Nm (51.6 lbf ft)
Nut, fork pivot	M19x1.5	130 Nm (95.9 lbf ft) Thread greased
Screw, steering head, top	M20x1.5	12 Nm (8.9 lbf ft)
Nut, seat lock	M22x1.5	4 Nm (3 lbf ft)
Screw, front wheel spindle	M25x1.5	45 Nm (33.2 lbf ft) Thread greased
Nut, rear axle, shock absorber side	M35x1.5	200 Nm (147.5 lbf ft) Loctite® 262™ /lock the locking wire with locking varnish

23 TECHNICAL DATA

Nut, rear axle	M50x1.5	250 Nm (184.4 lbf ft) Thread greased/lock locking wire with locking varnish
----------------	---------	---

24.1 Declarations of conformity



Info

The functional and equipment scope is model-dependent and may not include all wireless systems and application areas referred to.

Polaris hereby declares that the **Connectivity Control Unit "CCU-2"** wireless system conforms with the relevant guidelines. The full text of the Declaration of Conformity is available at the following Internet address.
Certification website: <http://www.ktm.com/ccu-2>

KTM AG hereby declares that the **KTM RACE ON system** wireless system conforms with the relevant guidelines. The full text of the Declaration of Conformity is available at the following Internet address.
Certification website: <http://www.ktm.com/ktm-race-on-system>

Schrader Electronics Ltd hereby declares that the **Tyre Pressure Monitoring System** wireless system conforms with the relevant guidelines. The full text of the Declaration of Conformity is available at the following Internet address.
Certification website: <http://www.ktm.com/tpms>

24.2 Country-specific declarations of conformity

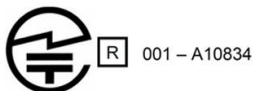
KTM RACE ON system

Advertencias de IFETEL

La operación de este equipo está sujeta a las siguientes dos condiciones:
 (1) es posible que este equipo o dispositivo no cause interferencia perjudicial y
 (2) este equipo o dispositivo debe aceptar cualquier interferencia, incluyendo la que pueda causar su operación no deseada.

Modelo XCB0305 (unidad central) K0349-0 (llave activa)

Certificado Homologacion Numero: **RLVZAXC17-1532**



CNC COMISIÓN NACIONAL DE COMUNICACIONES
H-20232



Model: K0349-0



Este equipamento opera em caráter secundário, isto é, não tem direito a proteção contra interferência prejudicial, mesmo de estações do mesmo tipo, e não pode causar interferência a sistemas operando em caráter primário.

Model: XCB0305



Este equipamento opera em caráter secundário, isto é, não tem direito a proteção contra interferência prejudicial, mesmo de estações do mesmo tipo, e não pode causar interferência a sistemas operando em caráter primário.



AGREE PAR L'ANRT MAROC
 Numéro d'agrément : MR 14689 ANRT 2017
 Date d'agrément : 31/08/2017

AGREE PAR L'ANRT MAROC
 Numéro d'agrément : MR 14690 ANRT 2017
 Date d'agrément : 31/08/2017

מוציא זה שטור מרישיון הפעלה אלהותי.
 המוציא אסור לשימוש למתן שירות לצד ג'.
 אסור להחליף אנטנת המכשיר המקורית.
 אסור לעשות במכשיר כל שינוי טכני.

This product does not need an Israeli wireless operation license.
 It is forbidden to use this product for service to third party.
 It is forbidden to replace the original antenna.
 It is forbidden to make any technical change in this product.

NOTICE
 This equipment has been registered with the Telecommunications Regulatory Authority for use in the UAE.
TRA REGISTERED No: ER63529/18
DEALER No: DA75721/18


NOTICE
 This equipment has been registered with the Telecommunications Regulatory Authority for use in the UAE.
TRA REGISTERED No: ER63531/18
DEALER No: DA75721/18




UA.TR.109.0199-17



UA.TR.109.0198-17


 R-RRM-ZAD-XCB0305
 Company name: ZADI S.p.A.
 Equipment Name: Keyless System
 Basic Model Name: XCB0305
 Series Model Name: XCB0307
 Manufactured Date: Week / Year
 Manufacturer / Country: ZADI S.p.A / ITALY


 R-CRM-ZAD-K0349-0
 Company name: ZADI S.p.A.
 Equipment Name: RRS Remote control key
 Model Name: K0349-0
 Manufactured Date: Week / Year
 Manufacturer / Country: ZADI S.p.A / ITALY

Complies with
IMDA Standards
DA107682



F01726-01

Brake fluid DOT 4 / DOT 5.1

Standard/classification

- DOT

Guideline

- Use only brake fluid that complies with the specified standard (see specifications on the container) and that exhibits the corresponding properties.

Recommended supplier

Castrol

- REACT PERFORMANCE DOT 4

MOTOREX®

- Brake Fluid DOT 5.1

Coolant

Guideline

- Only use high-grade, silicate-free coolant with corrosion inhibitor additive for aluminum motors. Low grade and unsuitable antifreeze causes corrosion, deposits and frothing.
- Do not use pure water as only coolant is able to meet the requirements needed in terms of corrosion protection and lubrication properties.
- Only use coolant that complies with the requirements stated (see specifications on the container) and that has the relevant properties.

Antifreeze protection to at least	-25 °C (-13 °F)
-----------------------------------	-----------------

The mixture ratio must be adjusted to the necessary antifreeze protection. Use distilled water if the coolant needs to be diluted.

The use of premixed coolant is recommended.

Observe the coolant manufacturer specifications for antifreeze protection, dilution and miscibility (compatibility) with other coolants.

Recommended supplier

MOTOREX®

- **COOLANT M3.0**

Engine oil (SAE 10W/50)

Standard/classification

- JASO T903 MA2 (📖 p. 333)
- SAE (📖 p. 333) (SAE 10W/50)

Guideline

- Use only engine oils that comply with the specified standards (see specifications on the container) and that possess the corresponding properties.

Fully synthetic engine oil

Recommended supplier

MOTOREX®

- **Power Synt 4T**

Engine oil (SAE 5W/40)**Standard/classification**

- JASO T903 MA2 (📖 p. 333)
- SAE (📖 p. 333) (SAE 5W/40)

Guideline

- Use only engine oils that comply with the specified standards (see specifications on the container) and that possess the corresponding properties.

Fully synthetic engine oil

Recommended supplier**MOTOREX®**

- Power Synt 4T

Fork oil (SAE 4) (48601166S1)**Standard/classification**

- SAE (📖 p. 333) (SAE 4)

Guideline

- Use only oils that comply with the specified standards (see specifications on the container) and that exhibit the corresponding properties.

Shock absorber fluid (SAE 2.5) (50180751S1)**Standard/classification**

- SAE (📖 p. 333) (SAE 2.5)

Guideline

- Use only oils that comply with the specified standards (see specifications on the container) and that exhibit the corresponding properties.

Super unleaded (ROZ 95/RON 95/PON 91)

Standard/classification

- DIN EN 228 (ROZ 95/RON 95/PON 91)

Guideline

- Only use unleaded super fuel that matches or is equivalent to the specified fuel grade.
- Fuel with an ethanol content of up to 10 % (E10 fuel) is safe to use.



Info

Do **not** use fuel containing methanol (e. g. M15, M85, M100) or more than 10 % ethanol (e. g. E15, E25, E85, E100).

Chain cleaner

Recommended supplier

MOTOREX®

- Chain Clean

Fuel additive

Recommended supplier

MOTOREX®

- Fuel Stabilizer

Long-life grease

Recommended supplier

MOTOREX®

- Bike Grease 2000

Motorcycle cleaner

Recommended supplier

MOTOREX®

- Moto Clean

Perfect finish and high gloss polish for paints

Recommended supplier

MOTOREX®

- Moto Shine

Preserving materials for paints, metal and rubber

Recommended supplier

MOTOREX®

- Moto Protect

Special cleaner for glossy and matte paint finishes, metal and plastic surfaces

Recommended supplier

MOTOREX®

- Quick Cleaner

Street chain spray

Guideline

Recommended supplier

MOTOREX®

- Chainlube Road Strong

Universal oil spray

Recommended supplier

MOTOREX®

- Joker 440 Synthetic

JASO T903 MA2

Different technical development directions required a separate specification for motorcycles – the **JASO T903 MA2** standard.

Earlier, engine oils from the automobile industry were used for motorcycles because there was no separate motorcycle specification.

Whereas long service intervals are demanded for automobile engines, the focus for motorcycle engines is on high performance at high engine speeds.

In most motorcycle engines, the transmission and clutch are lubricated with the same oil.

The **JASO T903 MA2** standard meets these special requirements.

SAE

The SAE viscosity classes were defined by the Society of Automotive Engineers and are used for classifying oils according to their viscosity. The viscosity describes only one property of oil and says nothing about quality.

ABS	Anti-lock braking system	Safety system that prevents locking of the wheels when driving straight ahead without the influence of lateral forces
ATIR	Automatic Turn Indicator Reset	Software, which automatically switches the indicator off according to a time or travel distance counter
DRL	Daytime Running Light	Light, which enhances the visibility of the vehicle during the day but is not focused, and in contrast to low beam does not illuminate the road surface
ETTC	Engine traction torque control	Auxiliary function of the engine control, which prevents rear wheel locking with excessive engine braking effect, by lightly opening the throttle valve
-	KTM RACE ON	System that releases the ignition, steering lock, and fuel tank filler cap via a remote key with a transponder
-	Launch control	Vehicles electronics functions for achieving the best possible acceleration from a standing position
MSC	Motorcycle Stability Control	The is an auxiliary function for the ABS, which can prevent blocking and slipping of the wheels during braking on an inclined position, within the physical limitations
Cornering MTC	Motorcycle Traction Control	Auxiliary function of the motor control that reduces engine torque with spinning rear wheel
OBD	On-board diagnosis	Vehicle system, which monitors the specified parameters of the vehicle electronics


-	Quickshifter +	Engine electronics function for shifting up and down without clutch actuation
TPMS	Tire pressure monitoring system	A safety system that monitors the tire pressure with the assistance of sensors in the tires and displays it to the rider

29 LIST OF ABBREVIATIONS

Art. no.	Article number
ca.	circa
cf.	compare
e.g.	for example
etc.	et cetera
i.a.	inter alia
no.	number
poss.	possibly






30.1 Red symbols


Red symbols indicate an error condition that requires immediate intervention.

	<p>The oil pressure warning lamp lights up red – The oil pressure is too low. Stop immediately, taking care not to endanger yourself or other road users in the process, and switch off the engine.</p>
---	---

30.2 Yellow and orange symbols





Yellow and orange symbols indicate an error condition that requires prompt intervention. Active driving aids are also represented by yellow or orange symbols.

	<p>RACE-ON indicator lamp lights up/flashes yellow/red – Status or error messages relating to Race-on system/alarm system.</p>
	<p>The general warning lamp lights up yellow – A note/warning note on operating safety has been detected. This is also shown in the display.</p>
	<p>The ABS warning lamp lights up yellow – Status or error messages relating to ABS. When ABS Supermoto mode is activated, SM is shown in the display.</p>
	<p>TC indicator lamp lights up/flashes yellow – The MTC (📖 p. 278) is not active, is currently intervening or a Launch Control Start is being executed. The TC indicator lamp also lights up if an error is detected. Contact an authorized KTM workshop. The TC indicator lamp flashes if the motorcycle traction control actively engages.</p>
	<p>The cruise control system indicator lamp lights up yellow – The cruise control system function is switched on, but cruise control is not activated.</p>

	Malfunction indicator lamp lights up yellow – The OBD has detected an error in the vehicle electronics.
---	---

30.3 Green and blue symbols

Green and blue symbols reflect information.

	The left turn signal indicator lamp flashes green with a steady rhythmic flash – The left turn signal is switched on.
	The high beam indicator lamp lights up blue – The high beam is switched on.
	The cruise control system indicator lamp lights up green – The cruise control system function is switched on and cruise control is activated.
	The right turn signal indicator lamp flashes green with a steady rhythmic flash – The right turn signal is switched on.

+	
+RES/-SET button	
operation	36
1	
12-V battery	
charging	257
installing	255
removing	253
A	
ABS	225
ACC1	
front	272
rear	272
ACC2	
front	272
rear	272
Accessories	18
Anti wheelie mode	279
Anti-lock braking system	225
Applying the brakes	166
Auxiliary substances	18

B	
Brake discs	
checking	228
Brake fluid	
front brake, adding	230
of rear brake, adding	235
Brake fluid level	
front brake, checking	229
rear brake, checking	234
Brake linings	
front brake, checking	233
rear brake, checking	238
Brake system	225-238
Brakes	166
C	
C1 and C2 switch	40
Capacity	
Coolant	311
engine oil	286, 311
fuel	174, 312
Chain	
checking	217
cleaning	212

dirt, checking for	212	day-night mode	55
Chain guide		Daytime Runn. Light	114
checking	217	display	62
Chain tension		Display Theme	111
adjusting	216	Distance	118
checking	214	engine speed	72
Clutch		Extra Functions	97
fluid level, checking/correcting	222	FAVORITES widget	128
Clutch lever	28	Favourite s display	79
basic position, adjusting	135	fuel level display	77
Combination instrument	51-132	gear display	75
ABS	106	General Info	94
ABS display	74	Headset Type	110
activation and test	53	heated grip (optional)	76
adjusting tilt	144	Heated Grips (optional)	103, 123
ambient air temperature indicator	78	Heated Seat (optional)	104, 124
Anti Wheelie Mode	101	HEATING widget	130
Audio	82	ice warning	57
Bluetooth	109	indicator lamps	58
Button Illumination	112	KTM MY RIDE widget	126
C1 and C2 buttons	108	KTM MY RIDE	81
Consumption	121	Language	122
coolant temperature indicator	77	large widget	70, 125
cruise control indicator	73	Launch Control	102
		menu	81

Motorcycle	103	time	79
MTC+MSR (optional)	105	TPMS	95
MUSIC widget	131	Track	99
navigation	84	TRACK Display (optional)	64
navigation information	85	Trip 1	92
NAVIGATION widget	127	Trip 2	93
Navigation display	80	Units	117
odometer	71	volume	86
overview	52	warnings	56, 96
Pairing	88	widget INFO	129
performance layout (optional)	66	Combination switch	
Pressure	120	left side	29
Quickshifter + (optional)	107	right	36
Ride display	75	Coolant level	
Ride Mode	98, 277	compensating tank, checking	273
seat heater (optional)	76	correcting in the compensating tank	275
Service	97	Cruise control system	
Settings	107	operation	33
shift warning light	72	Customer service	19
slip adjustment	279		
small widget	68, 125	D	
speed	74	Date	
telephony	91	adjusting	115
Temperature	119	Daytime running light	252
Throttle Response	100, 280		

Declarations of conformity	325-326	Footrests	
country-specific	326	adjusting	140
Diagnostics connector	271	Fork	180
DRL	252	compression damping, adjusting	181
E		rebound, adjusting	183
Emergency OFF switch	38	spring preload, adjusting	180
Engine		Fork legs	
running in	149	bleeding	184
Engine number	25	dust boots, cleaning	197
Engine oil		Fork part number	26
adding	289	Front rider's seat	
changing	282	mounting	202
Engine oil level		removing	201
checking	281	Front wheel	
Engine sprocket		installing	241
checking	217	removing	239
Engine traction torque control	165	Fuel tank filler cap	
Environment	17	closing	45
F		opening	43
Figures	19	Fuel tank spoiler, left	
Foot brake lever	49	installing	205
setting the step plate	137	removing	203
		Fuel, oils, etc.	18

Fuses	
in fuse box, changing	264

H

Hand brake lever	28
basic position, adjusting	136
Handlebar position	133
adjusting	133
Hazard warning flasher	37
Hazard warning flasher switch	37

Headlight	
daytime running light	252
range, adjusting	268

Headlight setting	
checking	267

Horn button	33
--------------------	----

I

Ice warning	57
Immobilizer	41
Implied warranty	18
Indicator lamps	58
Intended use	12

K

Key number	25
-------------------	----

L

Launch Control	156
Light switch	30
Luggage	149

M

Main fuse	
changing	262

Main silencer	
installing	210
removing	208

Manufacturer warranty	18
------------------------------	----

Menu buttons	31
---------------------	----

Misuse	12
---------------	----

Motorcycle	
cleaning	292
lifting with front lifting gear	192
lifting with rear lifting gear	191
raising with work stand (inserted)	194
removing from the work stand (inserted)	196
removing the rear from the lifting gear	191
taking off front lifting gear	193

Motorcycle traction control	278	Q	
MSR	165	Quickshifter+	158
MTC	278	R	
O		RACE-ON button	39
Oil filter		RACE-ON key	42
changing	282	RACE-ON key battery, changing	261
Oil screens		Rear sprocket	
cleaning	282	checking	217
Owner's Manual	17	Rear wheel	
P		installing	245
Parking	168	removing	244
Passenger foot pegs	47	Refueling	
Passenger seat		fuel	172
mounting	200	Riding	159
removing	199	starting off	156
Preparing for use		starting off with launch control	157
advice on preparing for first use	147	S	
after storage	299	Safe operation	14
checks and maintenance measures when		Seat lock	46
preparing for use	152	Service	19
Protective clothing	16	Service schedule	175-179
		Shift lever	48
		basic position, checking	138

Shift lever stub	
adjusting	139
Shifting	159
Shock absorber	180
compression damping, general	185
high-speed compression damping, adjusting	188
low-speed compression damping, adjusting	186
rebound damping, adjusting	189
spring preload, adjusting	186
Shock absorber article number	26
Side stand	49
Slip adjustment	279
Spare parts	18
Start button	38
Starting	153
Steering damper article number	27
Steering lock	40
Stopping	168
Storage	297
Supporting strap	47
Suspension setting	180-190

T

Technical data	
capacities	311

chassis	312
chassis tightening torques	317
electrical system	313
engine	304
engine tightening torques	306
fork	315
shock absorber	316
tires	314
Throttle grip	29
Time	
adjusting	115
Tire condition	
checking	247
Tire pressure	
checking	250
Tire repair spray	
using	251
Tool set	46
Transporting	170
Troubleshooting	300-303
Turn signal switch	32
Type label	24

U

USB cable

- connecting 270
- disconnecting 271

Use definition 12

V

Vehicle

- loading 149

Vehicle identification number 24

View of vehicle

- front left 20
- rear right 22

W

Winter operation

- checks and maintenance steps 295

Work rules 16

READY TO RACE
» www.ktm.com



3214110en

01/2020

KTM Sportmotorcycle GmbH
3230 Mattighofen/Austria
<http://www.ktm.com>



REG. NO. 12 100 6061

Photo:
Mitterbauer/KISKA/KTM